



THERMOVAL

Smart Valve Solutions

HEALTH AND CHEMICALS



Index	Page
AIR FILTERS	4
PRESSURE REGULATOR	7
PROPORTIONAL VALVE	10
NORMALLY CLOSED VALVE	15
NORMALLY OPEN VALVE	29
NORMALLY CLOSED VALVE	31
NORMALLY OPEN VALVE	34
MANIFOLD	35
SAFETY VALVES	38
RETENTION VALVE	39
VALVE WITH TIMER	40
NORMALLY CLOSED	40

General Specifications

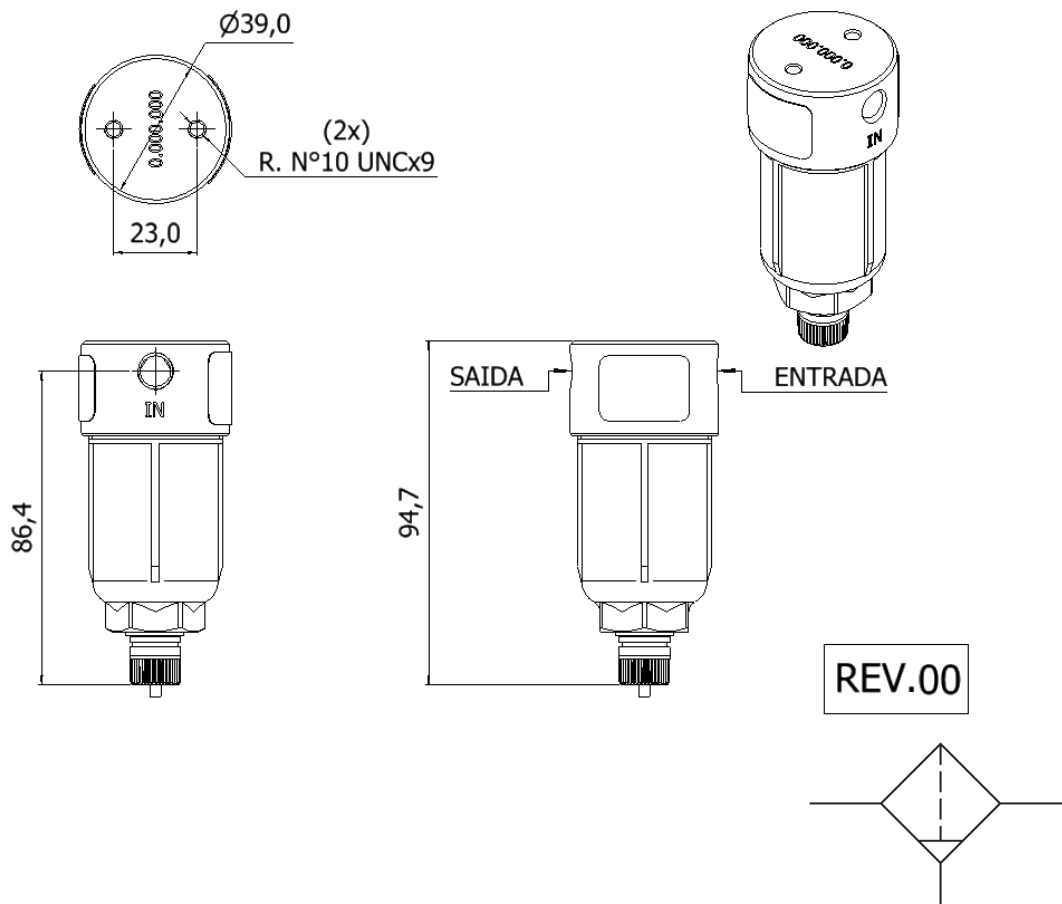
Ways / Position	2 Ways
Connection	Female 1/8" NPT - Input / Output
Hole	Ø8,0 mm - (KV 1,1) Flow factor
Seal	Polymer N 30000-7 B (Nitrile)
Pressure Range	Min. 0 PSI / Max. 180 PSI
Body	Aluminum (ASTM B211) - Epoxy Surface.
Application	Air / Oxygen

* Other applications, check compatibility



Especificações Elétricas

Products	Electrical Properties		
Code 1/8" NPT	Voltage	Wattage	Connection
21042	-	-	-



General Specifications

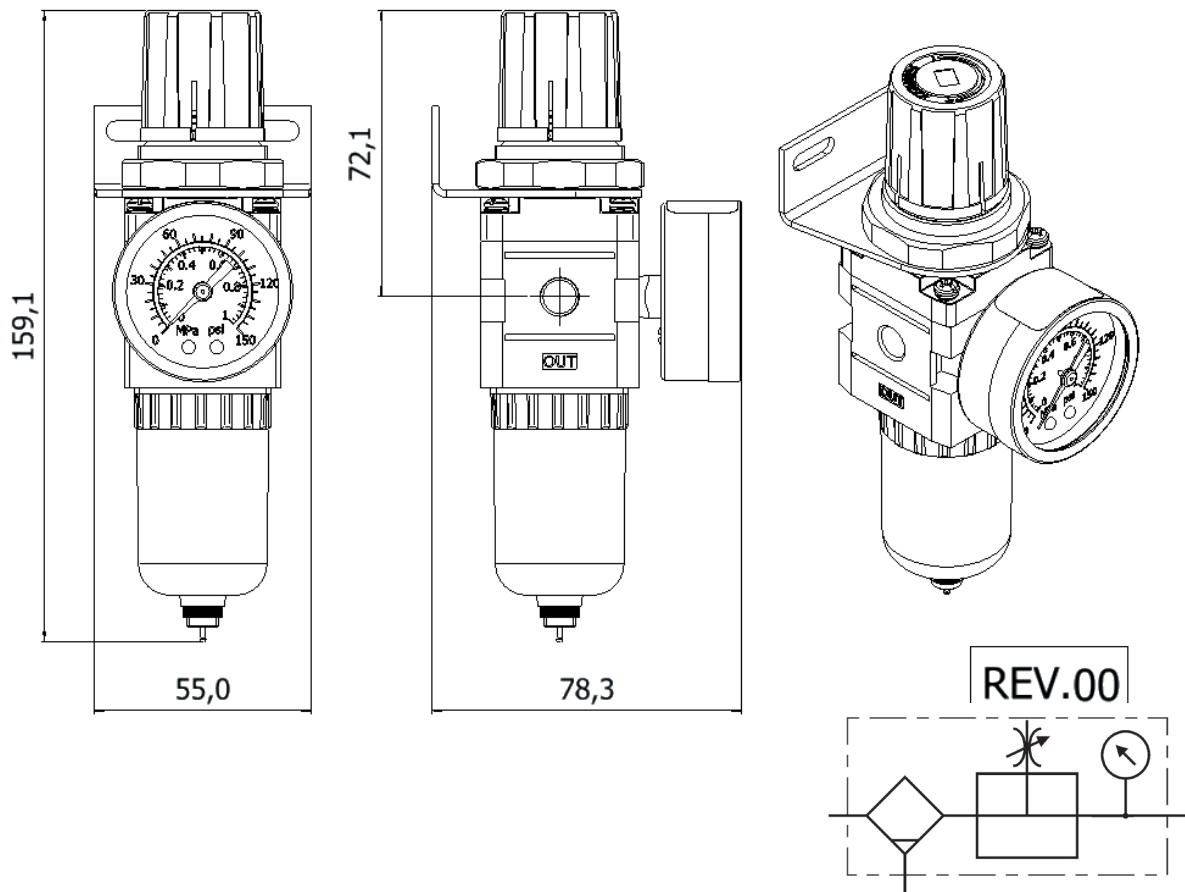
Ways / Position	2 Ways
Connection	Female 1/8" BSP - Input / Output
Hole	Not applicable
Seal	Polymer N 30000-7 B (Nitrile)
Pressure Range	Min. 0 PSI / Max. 150 PSI
Body	Special features - consult
Application	Air / Oxygen

* Other applications, check compatibility



Electrical Specifications

Products	Electrical Properties		
Code 1/8" BSP	Voltage	Wattage	Connection
21829	-	-	-



General Specifications

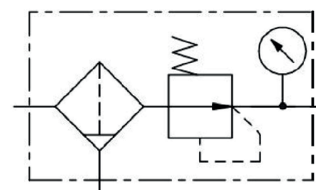
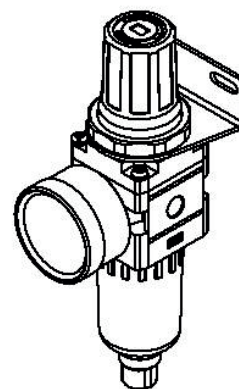
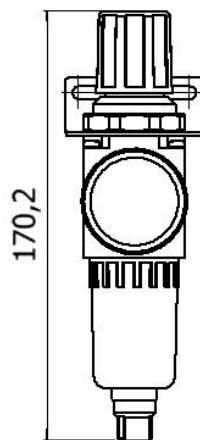
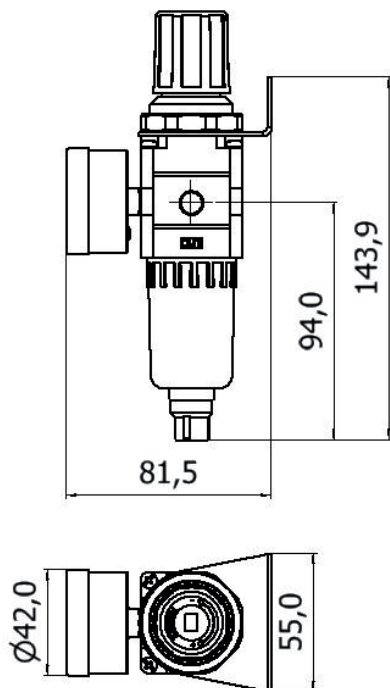
Ways / Position	2 Ways
Connection	Female 1/8" BSP - Input / Output
Hole	Not applicable
Seal	Polymer N 30000-7 B (Nitrile)
Pressure Range	Min. 0 PSI / Max. 150 PSI
Body	Special features - consult
Application	Air / Oxygen

* Other applications, check compatibility



Electrical Specifications

Products	Electrical Properties		
Code	Voltage	Wattage	Connection
22764	-	-	-



General Specifications

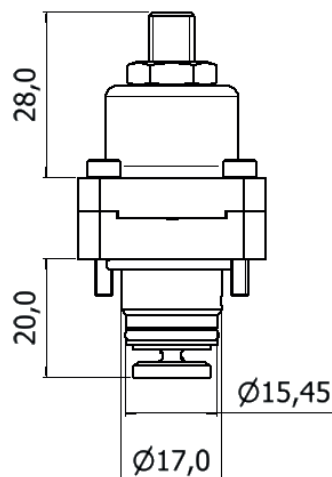
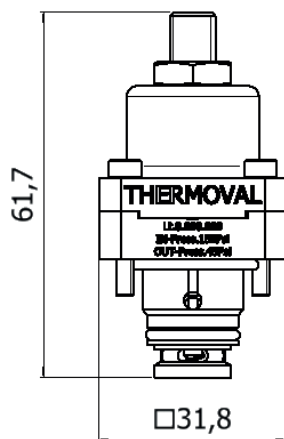
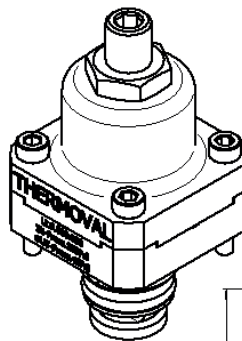
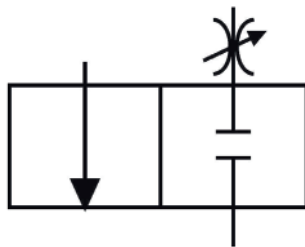
Ways / Position	2 Ways
Connection	Connection Flangeada Ø15,45 - Input Hole Ø3,0mm - Output
Hole	Ø3,8 mm - (Kv 0,33) Flow factor
Seal	Fluorocarbon elastomer (Viton)
Pressure Range	Min. 0 PSI / Max. 150 PSI
Body	Aluminum (ASTM B211) - Anodized
Application	Air/Oxygen

* Other applications, check compatibility



Electrical Specifications

Products	Electrical Properties		
Code	Voltage	Wattage	Connection
28117	-	-	-a



REV.00

General Specifications

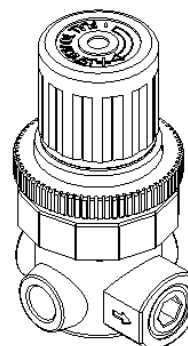
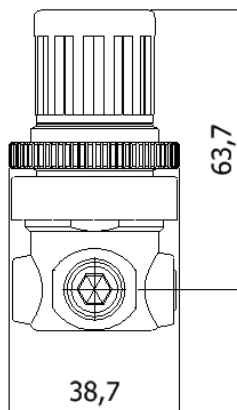
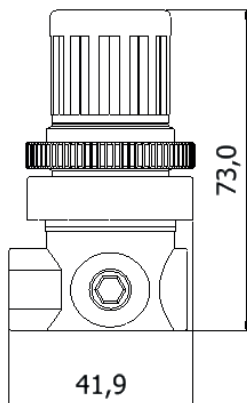
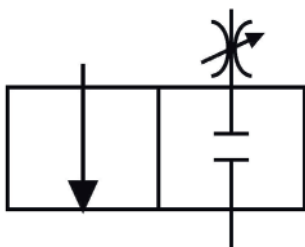
Ways / Position	2 Ways
Connection	Female 1/4" NPT (ANSI B2.1) - Input / Output
Hole	Ø8,0 mm - (Kv 1,1) Flow factor
Seal	Polymer N 30000-7 B (Nitrile)
Pressure Range	Min. 0 PSI / Max. 150 PSI
Body	Aluminum (ASTM B211)
Application	Air/Oxygen

* Other applications, check compatibility



Electrical Specifications

Products	Electrical Properties		
Code	Voltage	Wattage	Connection
22724	-	-	-



REV.00

General Specifications

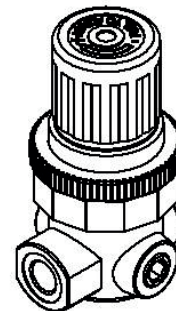
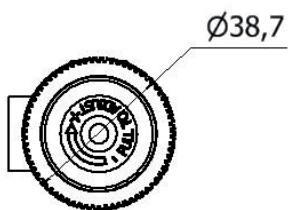
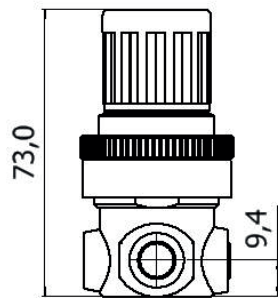
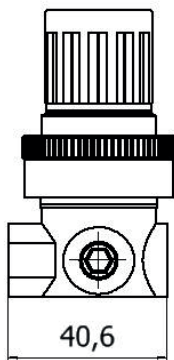
Ways / Position	2 Ways
Connection	Female 1/4" NPT (ANSI B2.1) - Input / Output
Hole	Ø8,0 mm - (Kv 1,1) Flow factor
Seal	Polymer N 30000-7 B (Nitrile)
Pressure Range	Min. 0 PSI / Max. 150 PSI
Body	Aluminum (ASTM B211)
Application	Air/Oxygen

* Other applications, check compatibility

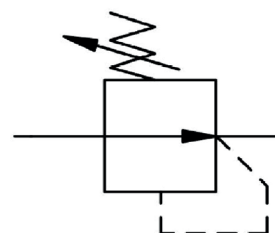


Electrical Specifications

Products	Electrical Properties		
	Voltage	Wattage	Connection
22724	-	-	-



REV.00



General Specifications

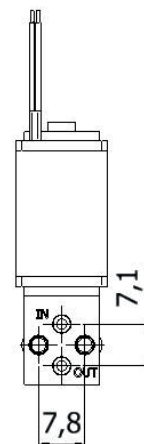
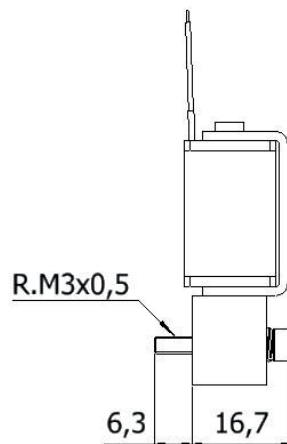
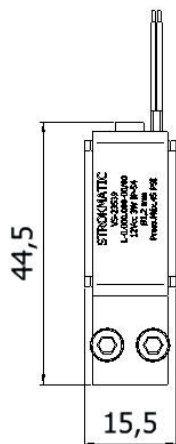
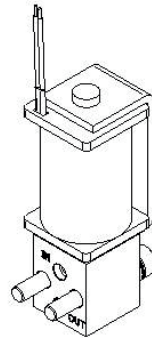
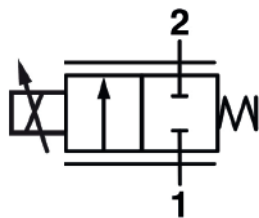
Ways / Position	2 proportional ways - 30L / min
Connection	Hole 4,0 mm - Input / Output
Hole	Ø1,2 mm - (KV 0,05) Flow factor
Seal	Fluorocarbon elastomer (Viton)
Pressure Range	Min. 0 PSI / Max. 100 PSI
Body	Brass (ASTM B16)
Application	Air / Oxygen

*Other applications, check compatibility



Electrical Specifications

Products	Electrical Properties		
Code	Voltage	Wattage	Connection
28241	12 Vcc	3 Watts	Tinned cable



REV.00

General Specifications

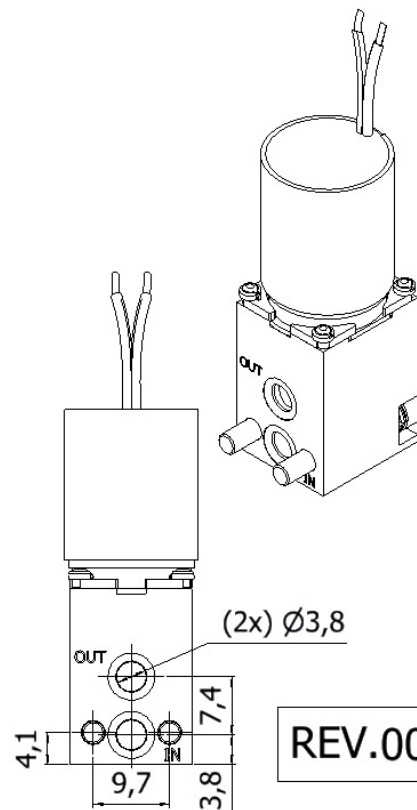
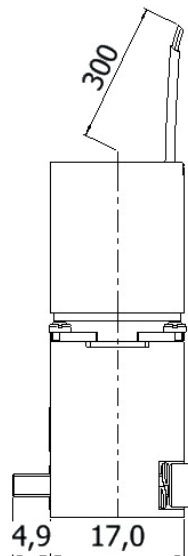
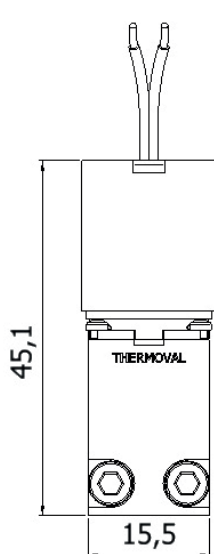
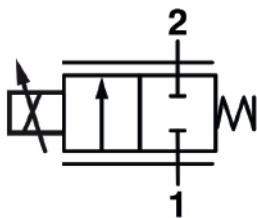
Ways / Position	2 proportional ways - 60l / min
Connection	Hole 4,0 mm - Input / Output
Hole	Ø4,5 mm - (KV 0,42) Flow factor
Seal	Fluorocarbon elastomer (Viton)
Pressure Range	Min. 0 PSI / Max. 100 PSI
Body	Brass (ASTM B16)
Application	Air / Oxygen

* Other applications, check compatibility



Electrical Specifications

Products	Electrical Properties		
Code	Voltage	Wattage	Connection
28241	12 Vcc	3 Watts	Tinned cable



General Specifications

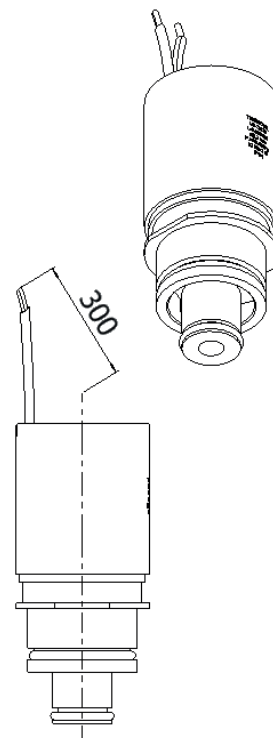
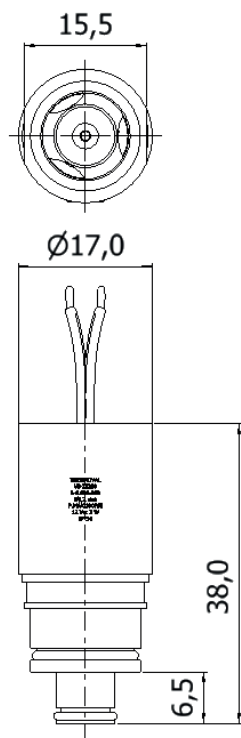
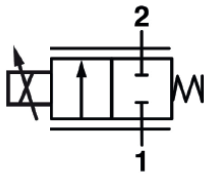
Ways / Position	2 proportional ways - 60l / min
Connection	Not applicable
Hole	Ø1,6 mm - (KV 0,082) Flow factor
Seal	Fluorocarbon elastomer (Viton)
Pressure Range	Min. 0 PSI / Max. 100 PSI
Body	Brass (ASTM B16)
Application	Air / Oxygen

* Other applications, check compatibility



Electrical Specifications

Products	Electrical Properties		
Code	Voltage	Wattage	Connection
28231	12 Vcc	3 Watts	Tinned cable



REV.00

General Specifications

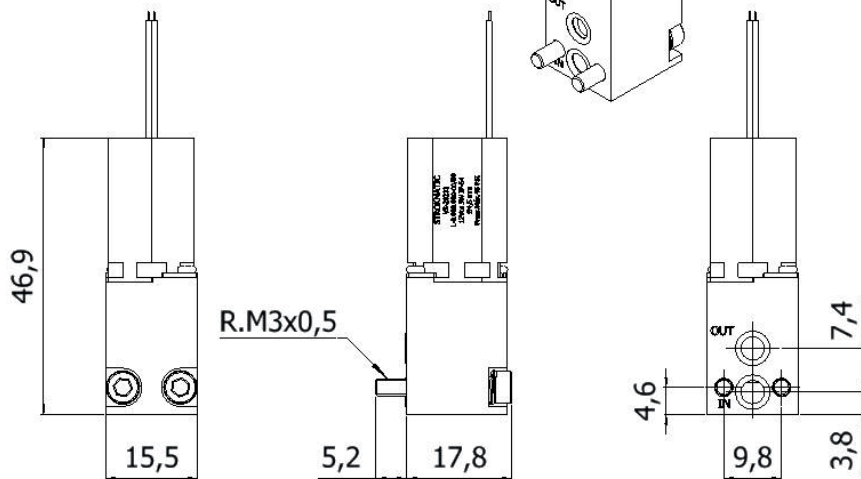
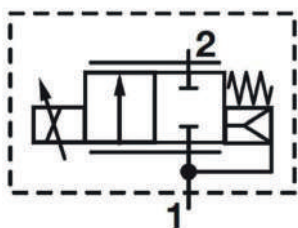
Ways / Position	2 proportional ways
Connection	Not applicable
Hole	Ø4,5 mm - (KV 0,42) Flow factor
Seal	Fluorocarbon elastomer (Viton)
Pressure Range	Min. 0 PSI / Max. 100 PSI
Body	Brass (ASTM B16)
Application	Air / Oxygen

* Other applications, check compatibility



Electrical Specifications

Products	Electrical Properties		
Code	Voltage	Wattage	Connection
28232	12 Vcc	3 Watts	Tinned cable



REV.00

General Specifications

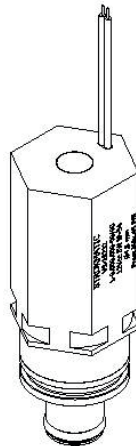
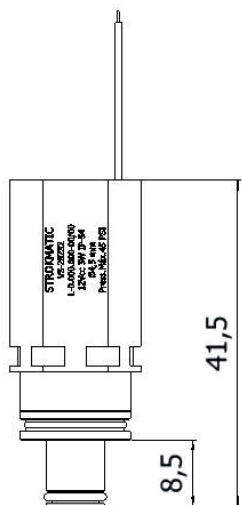
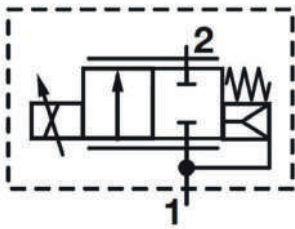
Ways / Position	2 proportional ways 200l/m
Connection	Not applicable
Hole	Ø4,5 mm - (KV 0,42) Flow factor
Seal	Fluorocarbon elastomer (Viton)
Pressure Range	Min. 0 PSI / Max. 100 PSI
Body	Brass (ASTM B16)
Application	Air / Oxygen

* Other applications, check compatibility



Electrical Specifications

Products	Electrical Properties		
Code	Voltage	Wattage	Connection
28232	12 Vcc	3 Watts	Tinned cable



REV.00

General Specifications

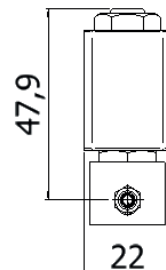
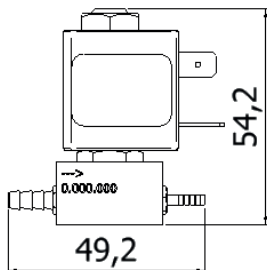
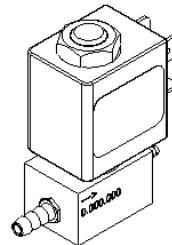
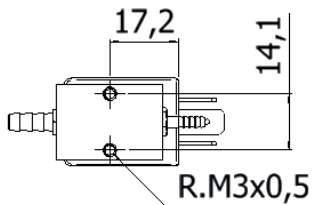
Ways / Position	2 Ways NF
Connection	Spike Ø 4,8 mm - Input Spike Ø 2,9 mm - Output
Hole	Ø2,0 mm - (KV 0,12) Flow factor
Seal	Polymer N 30000-7 B (Nitrile)
Pressure Range	Min. 0 PSI / Max. 130 PSI
Body	Brass (ASTM B16)
Application	Mineral oils, hydraulic fluids, LPG, NG, air, and water

* Other applications, check compatibility

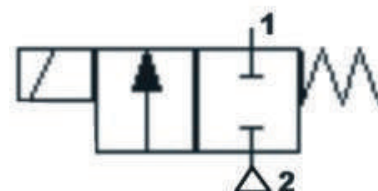


Electrical Specifications

Products	Electrical Properties		
Code	Voltage	Wattage	Connection
12100	32 Vcc	10 Watts	DIN 43650B w/o connector



REV.01



General Specifications

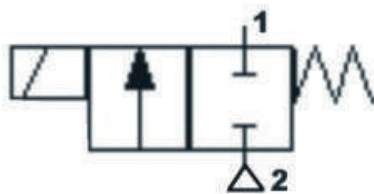
Ways / Position	2 Ways NF
Connection	Spike Ø 3,0 mm - Input / Output
Hole	Ø1,2 mm - (KV 0,05) Flow factor
Seal	Polymer N 30000-7 B (Nitrile)
Pressure Range	Min. 0 PSI / Max. 110 PSI
Body	Brass (ASTM B16) - Nickel plated
Application	Mineral oils, hydraulic fluids, LPG, NG, air, and water

* Other applications, check compatibility

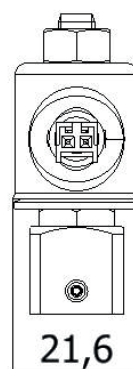
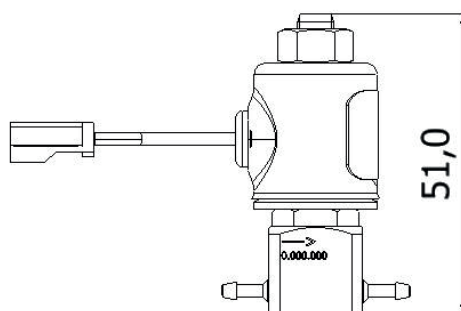
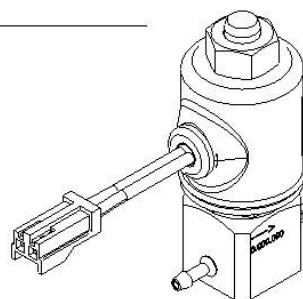
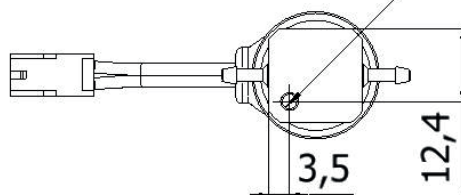


Electrical Specifications

Products	Electrical Properties		
Code	Voltage	Wattage	Connection
16460	24 Vcc	8 Watts	Tinned cable Tyco



*R. M3,0 (PASSO 0,5)
PROF. 6,0*



REV.00

General Specifications

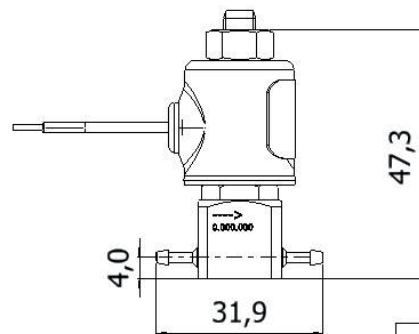
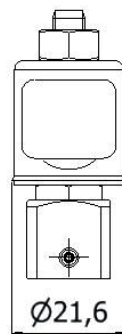
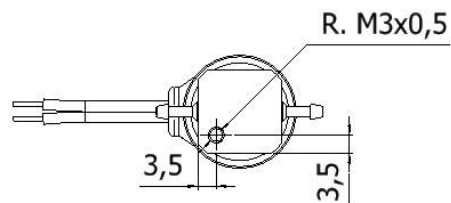
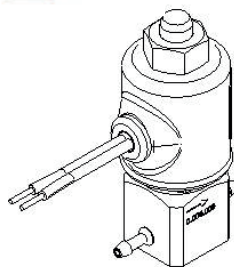
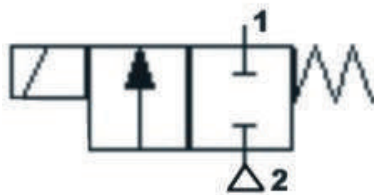
Ways / Position	2 Ways NF
Connection	Spike Ø 3,0 mm - Input / Output
Hole	Ø1,2 mm - (KV 0,05) Flow factor
Seal	Polymer N 30000-7 B (Nitrile)
Pressure Range	Min. 0 PSI / Max. 110 PSI
Body	Brass (ASTM B16) - Nickel plated
Application	Mineral oils, hydraulic fluids, LPG, NG, air, and water

* Other applications, check compatibility



Electrical Specifications

Products	Electrical Properties		
Code	Voltage	Wattage	Connection
22261	24 Vcc	8 Watts	Tinned cable



REV.00

General Specifications

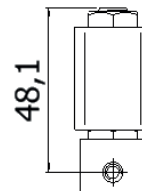
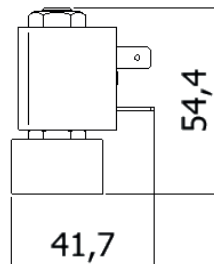
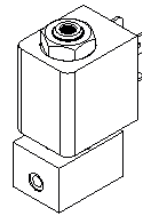
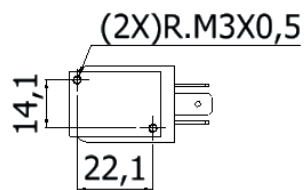
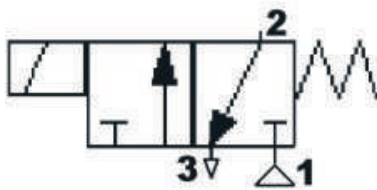
Ways / Position	3 Ways NF
Connection	Rosca Female 3/16" UNF (ASME B1.1) Input / Output e Escape
Hole	Ø1,2 e 1,0 mm - (KV 0,05 e 0,04) Flow factor
Seal	Polymer N 30000-7 B (Nitrile)
Pressure Range	Min. 0 PSI / Max. 100 PSI
Body	Brass (ASTM B16)
Application	Mineral oils, hydraulic fluids, LPG, NG, air, and water

* Other applications, check compatibility



Electrical Specifications

Products	Electrical Properties		
Code	Voltage	Wattage	Connection
10839	24 Vcc	6 Watts	DIN 43650B s/ Connector

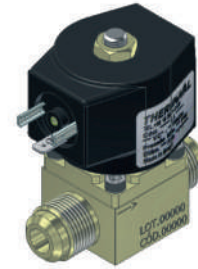


REV.01

General Specifications

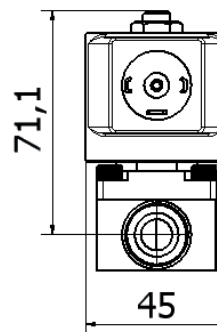
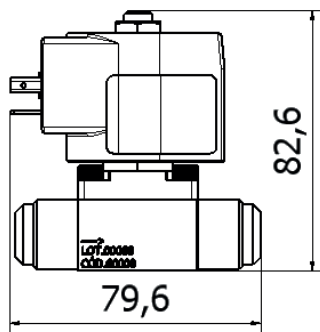
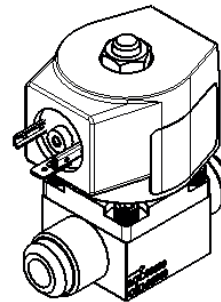
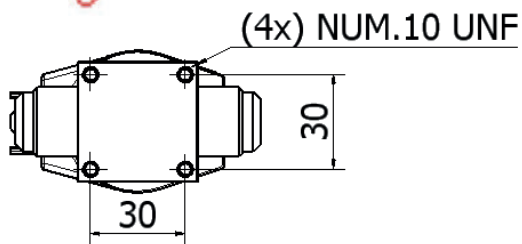
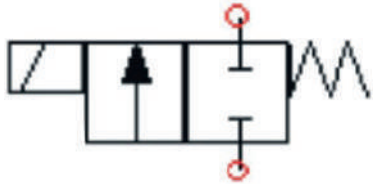
Ways / Position	2 Ways NF
Connection	Female 1/8" NPT - Input / Output
Hole	Ø5,0 mm - (KV 0,46) Flow factor
Seal	Fluorocarbon elastomer (Viton)
Pressure Range	Min. 0 PSI / Max. 45 PSI
Body	Round Brass (ASTM B16)
Application	High temperature oils, solvents, silicone fluids, air, LPG, CNG, Di-Ester, Oxygen and Vapor based lubricants (Max. 130 °C equiv. at 40 PSI)

* Other applications, check compatibility



Electrical Specifications

Products	Electrical Properties		
Code 1/8" NPT	Voltage	Wattage	Connection
07367	110/127 V 50/60 Hz	10 Watts	Tinned cable
07373	220/240 V 50/60 Hz	9 Watts	Tinned cable



REV.00

General Specifications

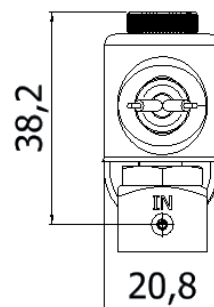
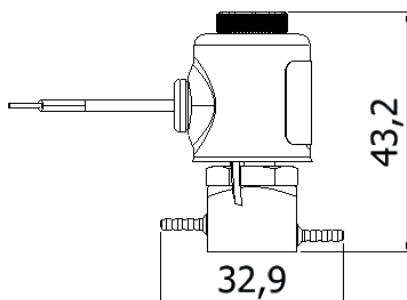
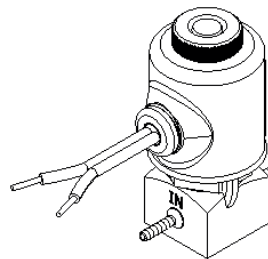
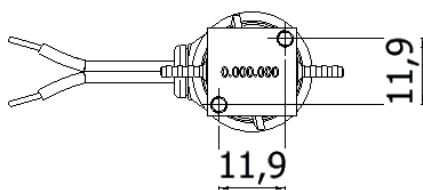
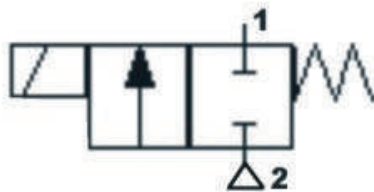
Ways / Position	2 Ways NF
Connection	Spike Ø 2,0 mm - Input / Output
Hole	Ø1,2 mm - (Kv 0,05) Flow factor
Seal	Polymer N 30000-7 B (Nitrile)
Pressure Range	Min. 0 PSI / Max. 60 PSI
Body	Brass (ASTM B16)
Application	Mineral oils, hydraulic fluids, LPG, NG, air, and water

* Other applications, check compatibility



Electrical Specifications

Products	Electrical Properties		
Code	Voltage	Wattage	Connection
10702	24 Vcc	8 Watts	Tinned cable



REV.00

General Specifications

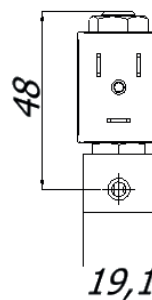
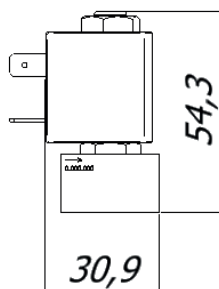
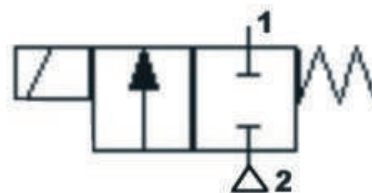
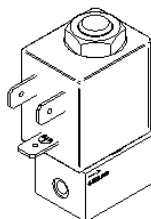
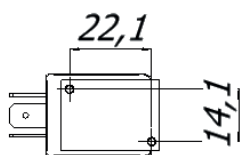
Ways / Position	2 Ways NF
Connection	Female 3/16" UNF (ASME B1.1) - Input / Output
Hole	Ø1,0 mm - (Kv 0,04) Flow factor
Seal	Polymer N 30000-7 B (Nitrile)
Pressure Range	Min. 0 PSI / Max. 130 PSI
Body	Brass (ASTM B16)
Application	Mineral oils, hydraulic fluids, LPG, NG, air, and water

* Other applications, check compatibility



Electrical Specifications

Products	Electrical Properties		
Code 1/8" NPT	Voltage	Wattage	Connection
10835	24 Vcc	3,5 Watts	DIN 43650B s/ Connector



REV.00

General Specifications

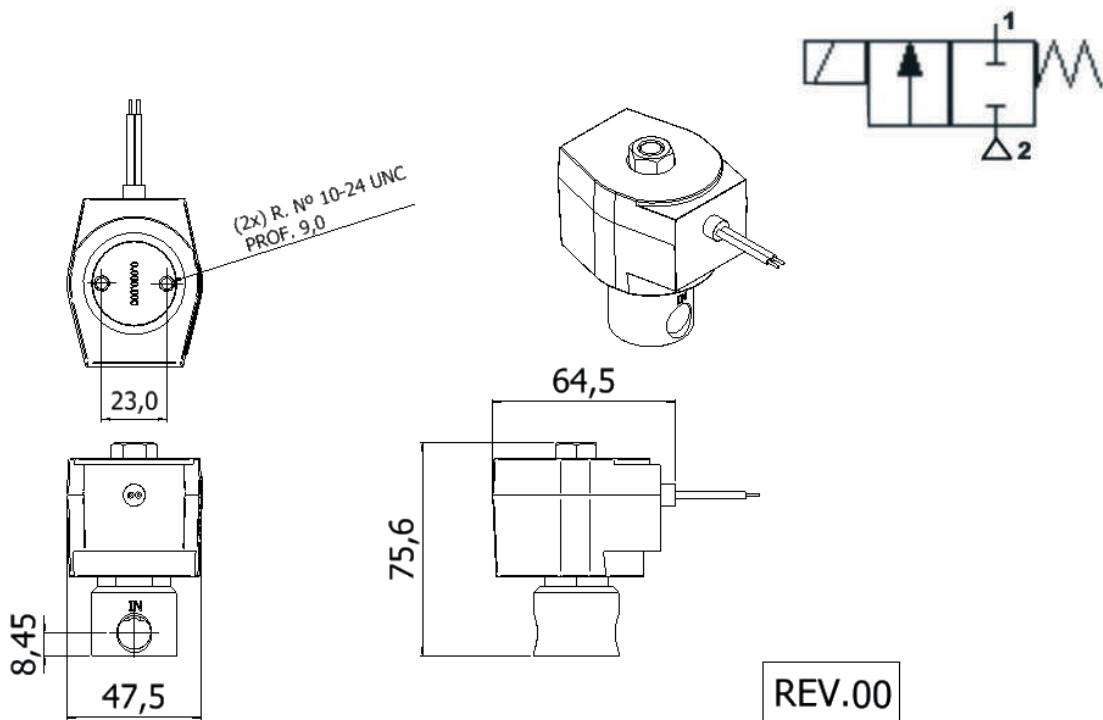
Ways / Position	2 Ways NF
Connection	Female 1/4" BSP (ISO 228/1) - Input / Output
Hole	Ø3,5 mm - (Kv 0,31) Flow factor
Seal	Teflon (PTFE) and Fluorocarbon Elastomer (Viton)
Pressure Range	Min. 0 PSI / Max. 40 PSI
Body	Brass (ASTM B16)
Application	High temperature oils, solvents, silicone fluids, air, LPG, CNG, Di-Ester, Oxygen and steam based lubricants (180.C)

* Other applications, check compatibility



Electrical Specifications

Products	Electrical Properties		
Code	Voltage	Wattage	Connection
11527	220/240 V 50/60 Hz	20 Watts	Tinned cable



REV.00

General Specifications

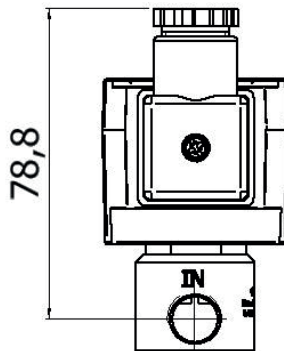
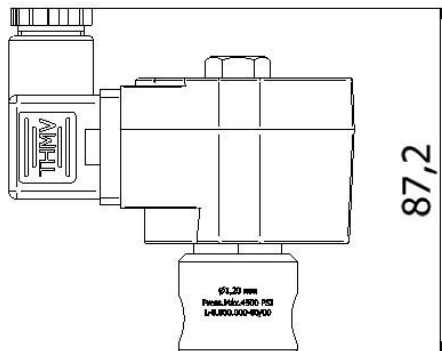
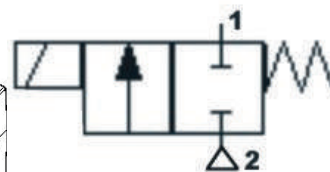
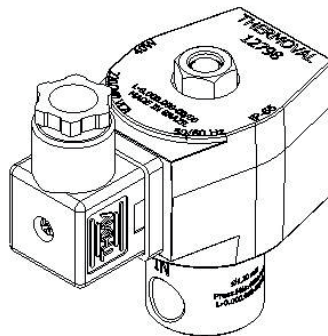
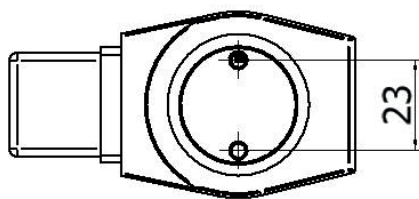
Ways / Position	2 Ways NF
Connection	Female 1/4" NPT (ANSI B2.1) - Input / Output
Hole	Ø1,2 mm - (Kv 0,05) Flow factor
Seal	Teflon (PTFE) and Fluorocarbon Elastomer (Viton)
Pressure Range	Min. 0 PSI / Max. 4500 PSI
Body	Round Stainless Steel (AISI 303/304)
Application	High temperature oils, solvents, silicone fluids, air, LPG, CNG, Di-Ester, Oxygen and steam based lubricants (180.C)

* Other applications, check compatibility



Electrical Specifications

Products	Electrical Properties		
Code	Voltage	Wattage	Connection
12798	220/240 V 50/60 Hz	40 Watts	DIN 43650A



REV.00

General Specifications

Ways / Position 2 Ways NF

Connection Female 1/4" NPT (ANSI B2.1) - Input / Output

Hole $\varnothing 3,5$ mm - (Kv 0,31) Flow factor

Seal Fluorocarbon elastomer (Viton)

Pressure Range Min. 0 PSI / Max. 150 PSI

Body Round Brass (ASTM B16)

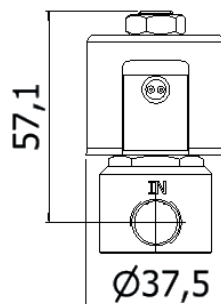
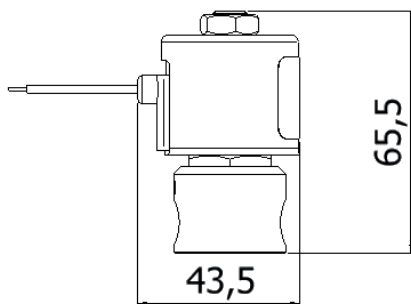
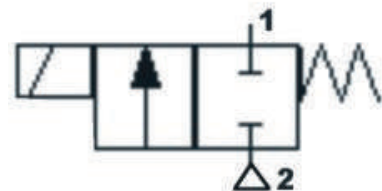
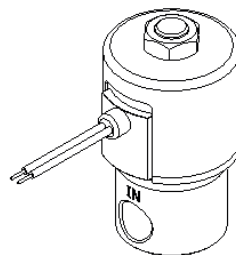
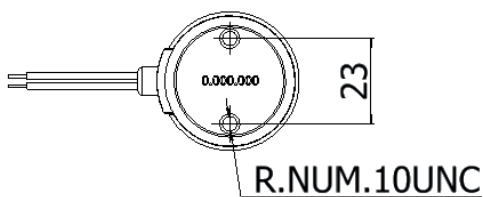
Application High temperature oils (100 to 150 °C), silicone oil and greases, air, LPG, CNG, Di-Ester based lubricants, oxygen, water and steam

* Other applications, check compatibility



Electrical Specifications

Products	Electrical Properties		
Code 1/8" NPT	Voltage	Wattage	Connection
13640	24 Vcc	12 Watts	Tinned cable



REV.00

General Specifications

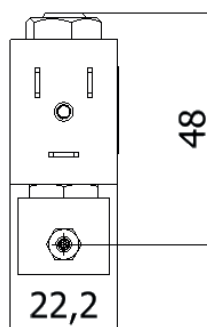
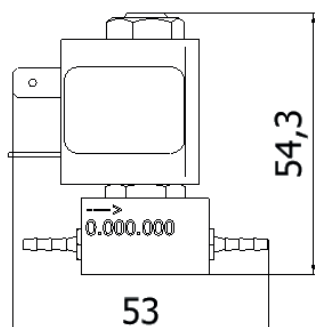
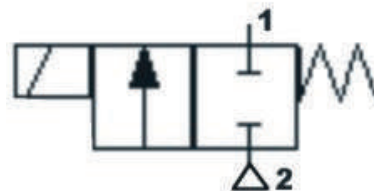
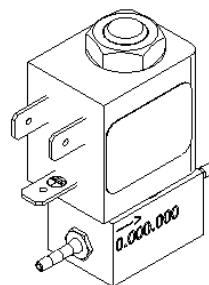
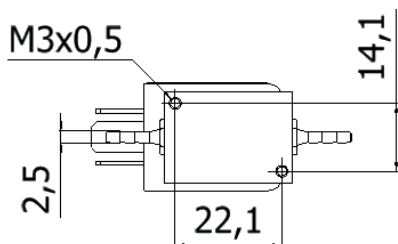
Ways / Position	2 Ways NF
Connection	Spike Ø 2,5 mm - Input / Output
Hole	Ø1,0 mm - (Kv 0,04) Flow factor
Seal	Polymer N 30000-7 B (Nitrile)
Pressure Range	Min. 0 PSI / Max. 130 PSI
Body	Brass (ASTM B16)
Application	Mineral oils, hydraulic fluids, LPG, NG, air, and water

* Other applications, check compatibility



Electrical Specifications

Products	Electrical Properties		
Code	Voltage	Wattage	Connection
16472	12 Vcc	3,5 Watts	DIN 43650B s/ Connector



REV.00

General Specifications

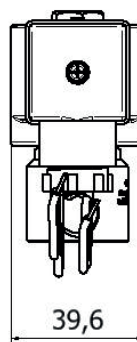
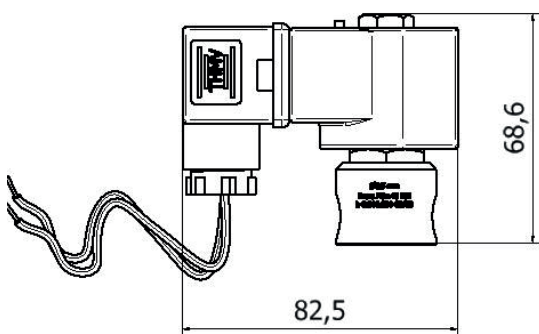
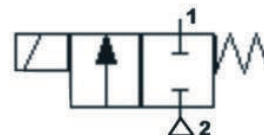
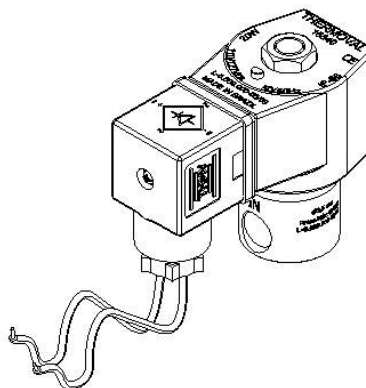
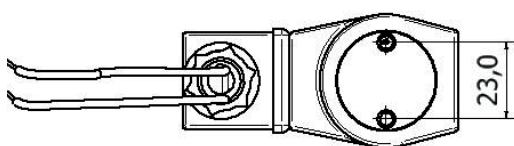
Ways / Position	2 Ways NF
Connection	Female 1/4" BSP (ISO 228/1) - Input / Output
Hole	Ø3,5 mm - (KV 0,31) Flow factor
Seal	Teflon (PTFE) and Flourcarbon elastomer (Viton)
Pressure Range	Min. 0 PSI / Max. 40 PSI
Body	Round Brass (ASTM B16)
Application	High temperature oils, solvents, silicone fluids, air, LPG, CNG, Di-Ester, Oxygen and Vapor based lubricants (Max.150 °C equiv. at 70 PSI)

* Other applications, check compatibility



Electrical Specifications

Products	Electrical Properties		
Code 1/4" BSP	Voltage	Wattage	Connection
16840	110/127 V 50/60 Hz	20 Watts	DIN 43650A
16851	220/240 V 50/60 Hz	20 Watts	DIN 43650A



REV.00

General Specifications

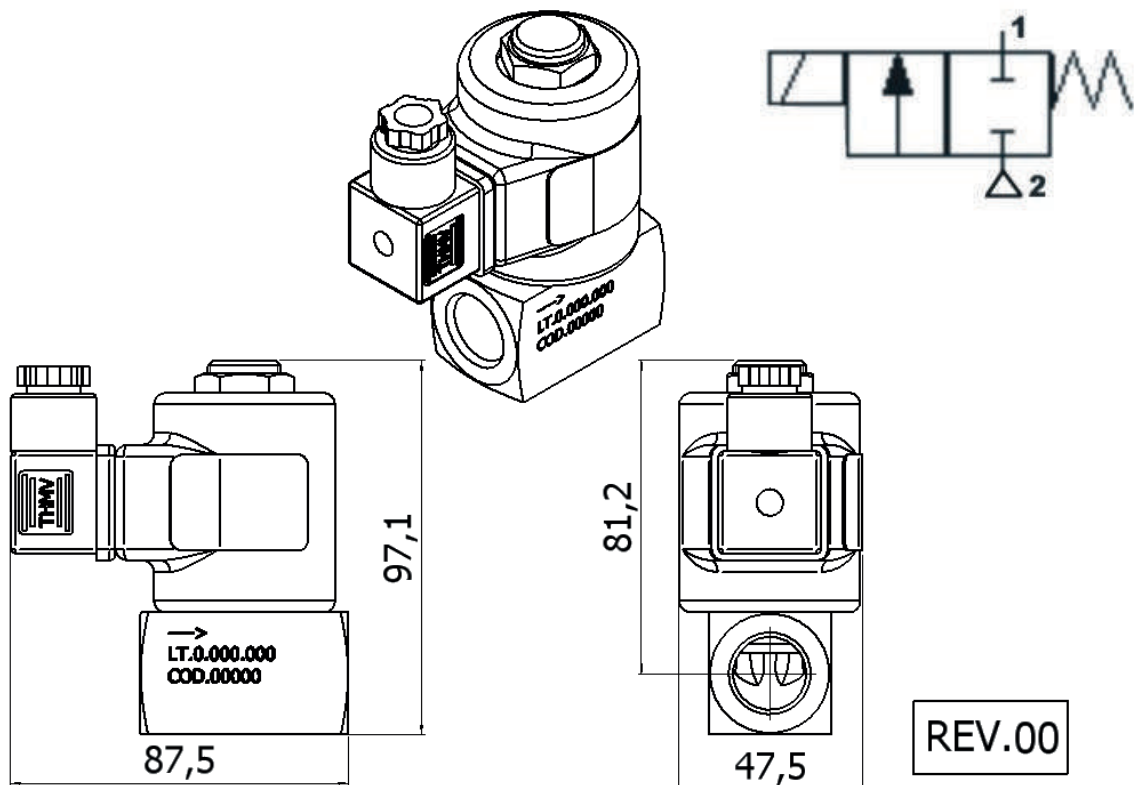
Ways / Position	2 Ways NF
Connection	Female 1/2" BSP (ISO 228/1) - Input / Output
Hole	Ø8,0 mm - (KV 1,1) Flow factor
Seal	Teflon (PTFE) and Flourcarbon elastomer (Viton)
Pressure Range	Min. 0 PSI / Max. 60 PSI e Max. 90 PSI
Body	Brass (ASTM B16)
Application	Hydraulic Fluid Density 0.871 g/cm ³ and CSt Viscosity 36.1 Temp. 40°C, Air, Oxygen, Water and Steam at Temp. Max 140°C

* Other applications, check compatibility



Electrical Specifications

Products	Electrical Properties		
Code 1/2" BSP	Voltage	Wattage	Connection
13825	24 Vcc	50 Watts	DIN 43650A
13826	110/127 V 50/60 Hz	30 Watts	DIN 43650A
13650	220/240 V 50/60 Hz	30 Watts	DIN 43650A



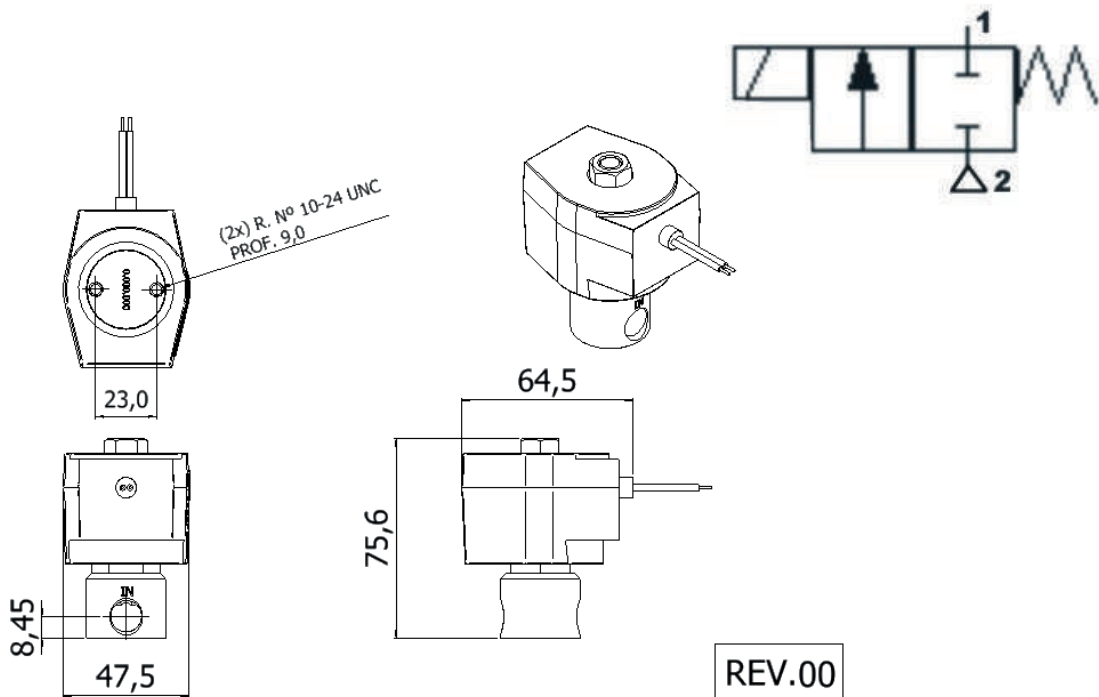
General Specifications

Ways / Position	2 Ways NF
Connection	Female 1/4" BSP (ISO 228/1) - Input / Output
Hole	Ø3,5 mm - (KV 0,31) Flow factor
Seal	Teflon (PTFE) and Flourcarbon elastomer (Viton)
Pressure Range	Min. 0 PSI / Max. 40 PSI
Body	Round Brass (ASTM B16)
Application	High temperature oils, solvents, silicone fluids, air, LPG, CNG, Di-Ester, Oxygen and Steam based lubricants (180°C) <small>* Other applications, check compatibility</small>



Electrical Specifications

Products	Electrical Properties		
Code 1/4" BSP	Voltage	Wattage	Connection
11527	220/240 V 50/60 Hz	20 Watts	Tinned cable



General Specifications

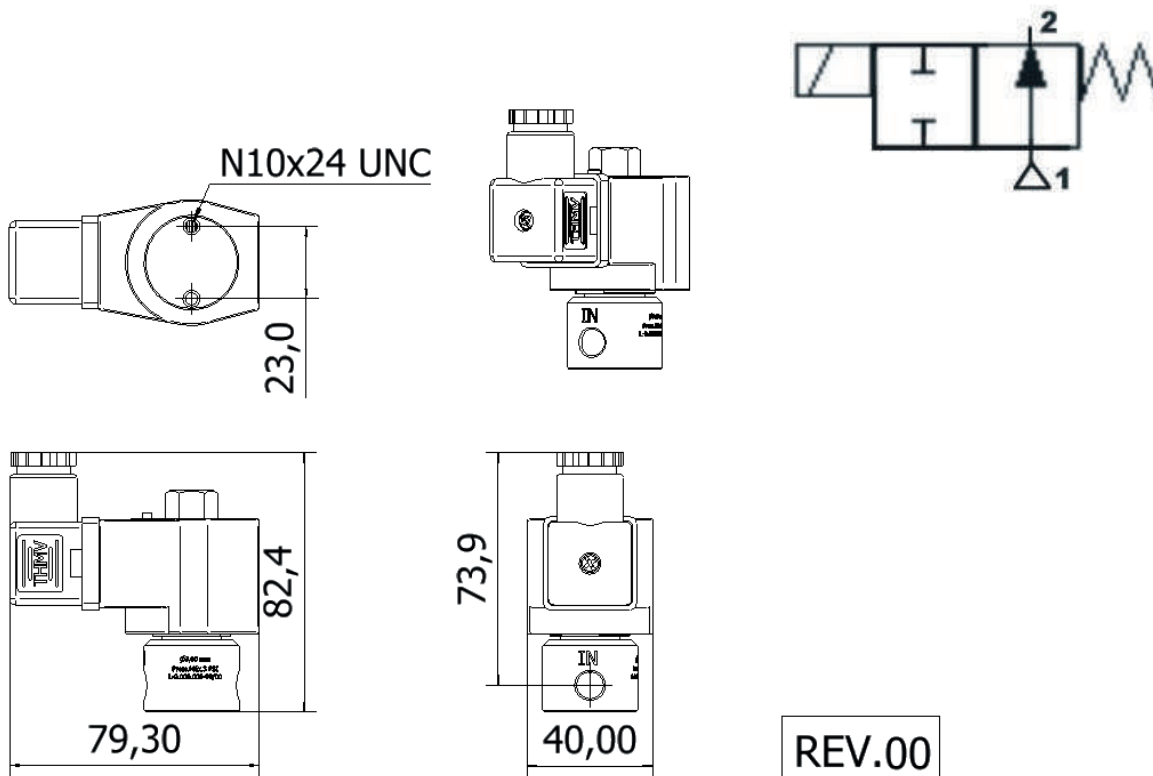
Ways / Position	2 Ways NA
Connection	Female 1/8" NPT (ANSI B2.1) - Input / Output
Hole	Ø3,0 mm - (Kv 0,23) Flow factor
Seal	Polymer N 30000-7 B (Nitrile)
Pressure Range	Min. 0 PSI / Max. 120 PSI
Body	Round Brass (ASTM B16)
Application	Mineral oils, hydraulic fluids, LPG, NG, air, and water

* Other applications, check compatibility



Electrical Specifications

Products	Electrical Properties		
Code 1/2" BSP	Voltage	Wattage	Connection
13680	12 Vcc	17 Watts	DIN 43650A



REV.00

General Specifications

Ways / Position 2 Ways NF

Connection Female 1/8" NPT (ANSI B2.1) - Input / Output

Hole Ø5,0 mm - (Kv 0,46) Flow factor

Seal Fluorocarbon elastomer (Viton)

Pressure Range Min. 0 PSI / Max. 45 PSI

Body Round Brass (ASTM B16)

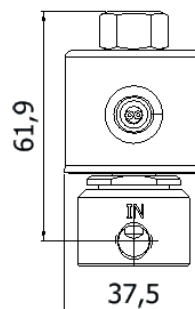
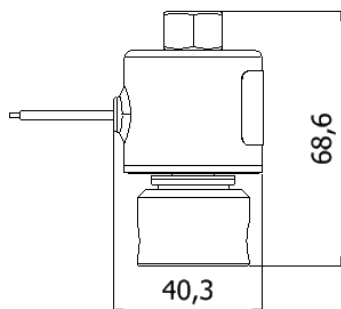
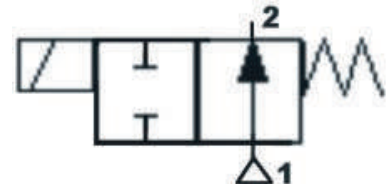
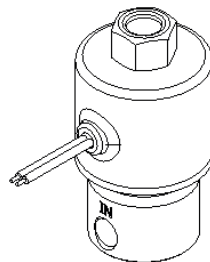
Application High temperature oils (100 to 150 °C), silicone oil and greases, air, LPG, CNG, Di-Ester based lubricants, oxygen, water and steam

* Other applications, check compatibility



Electrical Specifications

Products	Electrical Properties		
Code 1/4" BSP	Voltage	Wattage	Connection
20512	110/127 V 50/60 Hz	17 Watts	Tinned cable
20513	220/240 V 50/60 Hz	17 Watts	Tinned cable



REV.00

General Specifications

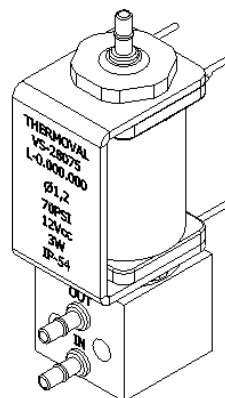
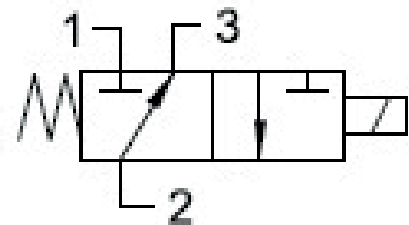
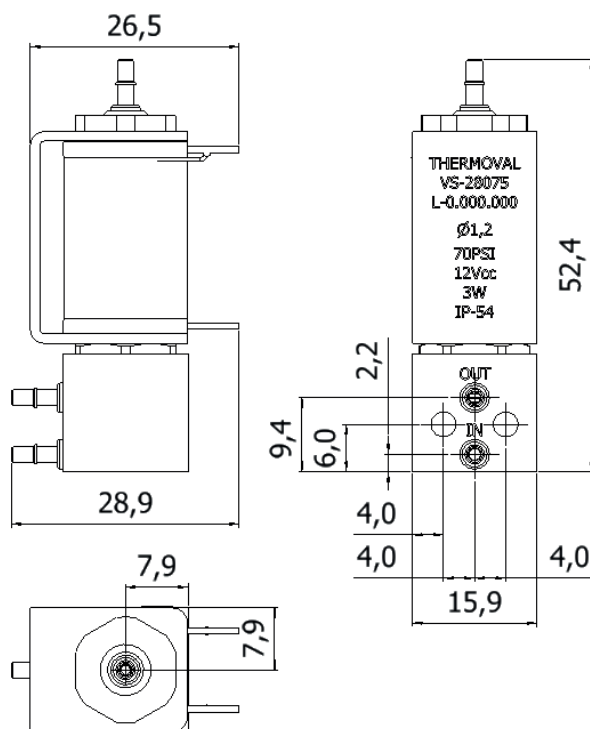
Ways / Position	3 Ways NF
Connection	Spike Ø1,5 mm - Input / Output
Hole	Ø1,2 mm - (KV 0,05) Flow factor
Seal	Fluorocarbon elastomer (Viton) (-25°C + 130°C)
Pressure Range	Min. 0 PSI / Max. 70 PSI
Body	Brass (ASTM B16)
Application	Silicone fluids, air, lubricants based on Di-Ester, LPG, Natural Gas, Cold Oxygen, H2O, Ethanol

* Other applications, check compatibility



Electrical Specifications

Products	Electrical Properties		
Code	Voltage	Wattage	Connection
28075	12 Vcc	3 Watts	Special features



REV.00

General Specifications

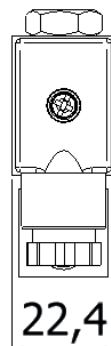
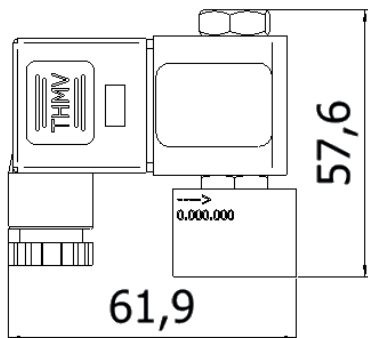
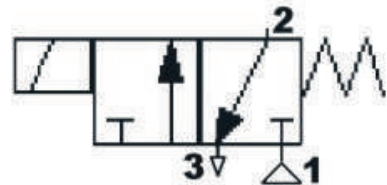
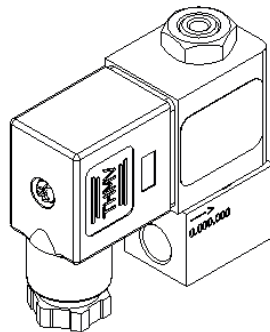
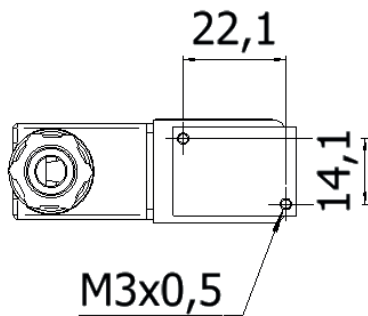
Ways / Position	3 Ways NF
Connection	Female 1/8" BSP (ISO 228/1) - Input / Output
Hole	Ø1,2 mm - (KV 0,05) Flow factor
Seal	Polymer N 30000-7 B (Nitrile)
Pressure Range	Min. 0 PSI / Max. 130 PSI
Body	Aluminum (ASTM B211) - Anodized
Application	Mineral oils, hydraulic fluids, LPG, NG, air, and water

*Other applications, check compatibility



Electrical Specifications

Products	Electrical Properties		
Code 1/8" BSP	Voltage	Wattage	Connection
13220	110/127 V 50/60 Hz	15 Watts	DIN 43650B



REV.00

General Specifications

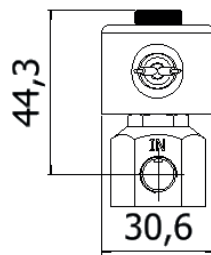
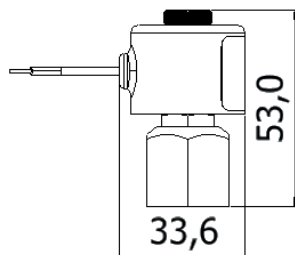
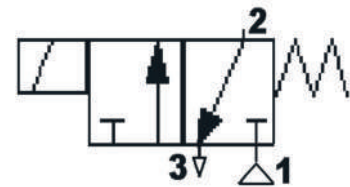
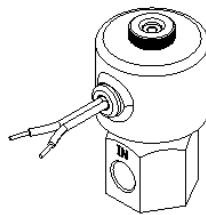
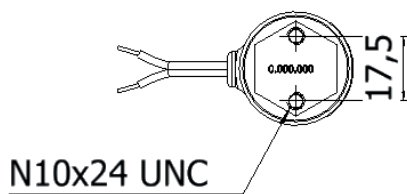
Ways / Position	3 Ways NF
Connection	Female 1/8" NPT (ANSI B2.1) - Input / Output
Hole	Ø2,0 e 1,2 mm - (KV 0,12 e 0,05) Flow factor
Seal	Polymer N 30000-7 B (Nitrile)
Pressure Range	Min. 0 PSI / Max. 15 PSI
Body	Brass (ASTM B16)
Application	Mineral oils, hydraulic fluids, LPG, NG, air, and water

* Other applications, check compatibility



Electrical Specifications

Products	Electrical Properties		
Code 1/8" NPT	Voltage	Wattage	Connection
06231	12 Vcc	5 Watts	Tinned cable
06232	24 V 50/60 Hz	6 Watts	Tinned cable



REV.00

General Specifications

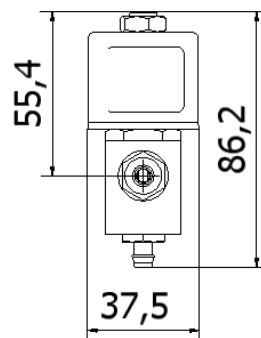
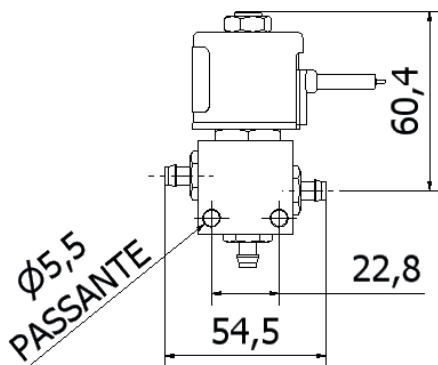
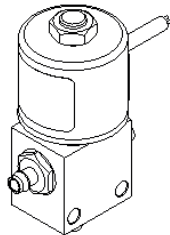
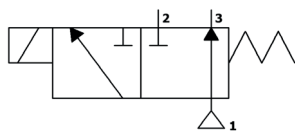
Ways / Position	3 Ways NA
Connection	Spike Ø 7,4 mm - Input / Output
Hole	Ø6,0 mm - (KV 0,56) Flow factor
Seal	Fluorocarbon elastomer (Viton)
Pressure Range	Min. 0 PSI / Max. 15 PSI
Body	Aluminum (ASTM B211)
Application	High temperature oils (100 to 150 °C), silicone oil and greases, air, LPG, CNG, Di-Ester, Oxygen, Water and Steam based lubricants

* Other applications, check compatibility



Electrical Specifications

Products	Electrical Properties		
Code	Voltage	Wattage	Connection
15640	12 Vcc	24 Watts	Tinned cable
16115	220/240 V 50/60 Hz	20 Watts	Tinned cable

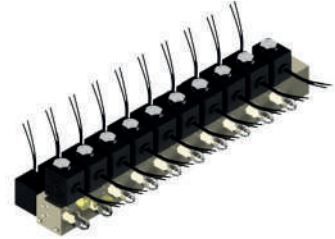


REV.00

General Specifications

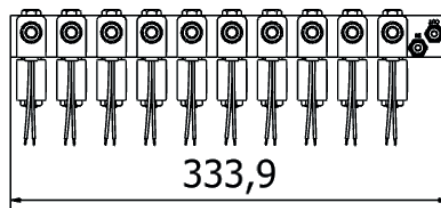
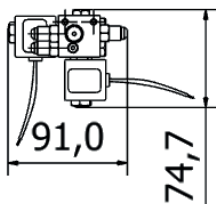
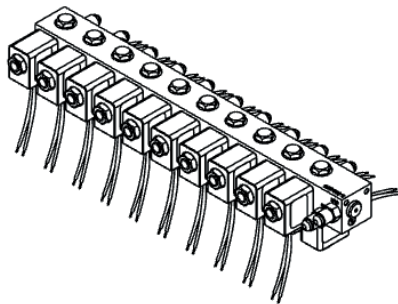
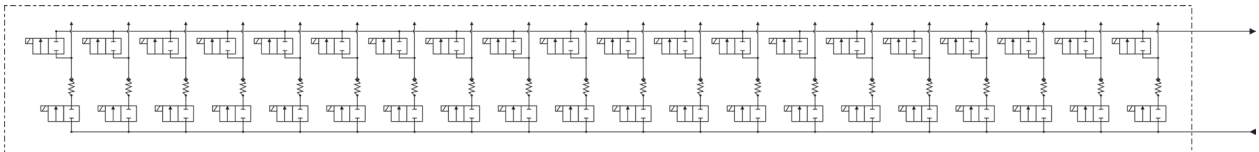
Ways / Position	Manifold Composed of 20 Valves 2/2 NF
Connection	Male Thread 7/16" UNF (ASME B1.1) with Flange of Assembly (JIC 37°) - Input / Output
Hole	Ø1,5 mm - (KV 0,07) Flow factor
Seal	Polymer N 30000-7 B (Nitrile)
Pressure Range	Min. 0 PSI / Max. 750 PSI
Body	Brass (ASTM B16)
Application	Mineral oils, hydraulic fluids, LPG, NG, air, and water

* Other applications, check compatibility



Electrical Specifications

Products	Electrical Properties		
Code	Voltage	Wattage	Connection
15970	24 Vcc	24 Watts	Tinned cable

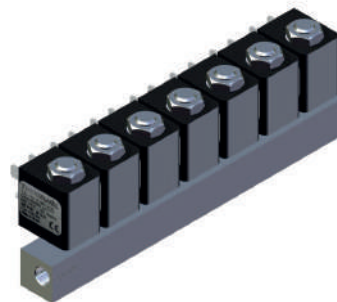


REV.01

General Specifications

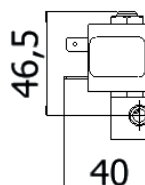
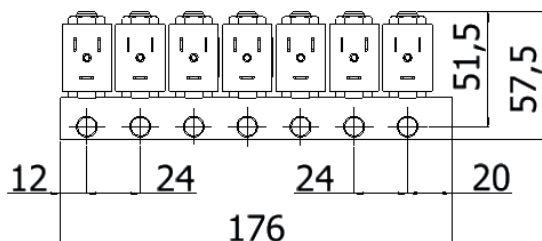
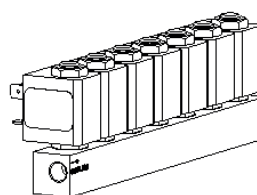
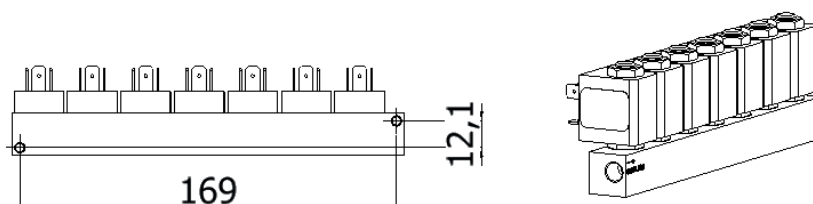
Ways / Position	Manifold Composed of 7 Valves 2/2 NF
Connection	Female 1/8" NPT (ANSI B2.1) - Input / Output
Hole	Ø2,0 mm - (KV 0,12) Flow factor
Seal	Polymer N 30000-7 B (Nitrile)
Pressure Range	Min. 0 PSI / Max. 75 PSI
Body	Brass (ASTM B16) - Nickel plated
Application	Mineral oils, hydraulic fluids, LPG, NG, air, and water

* Other applications, check compatibility



Electrical Specifications

Products	Electrical Properties		
Code	Voltage	Wattage	Connection
14563	12 Vcc	9 Watts	DIN 43650B s/ Connector

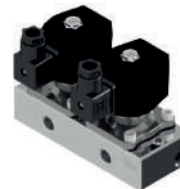


REV.00

General Specifications

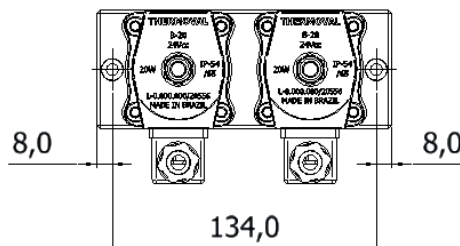
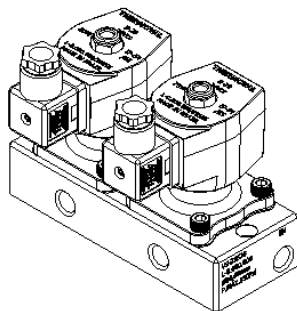
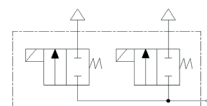
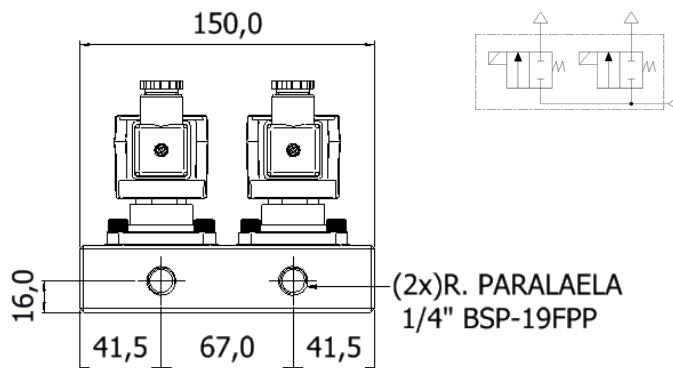
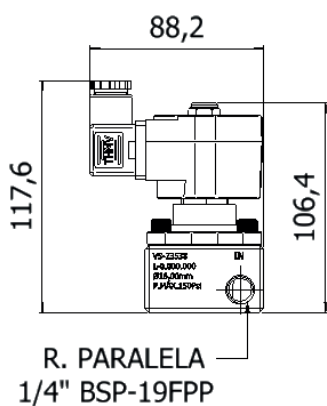
Ways / Position	Manifold Composed of 2 Valves 2/2 NF
Connection	Female 1/4" BSP (ISO 228/1) - Input / Output
Hole	Ø16,0 mm - (KV 4,65) Flow factor
Seal	Ethylene Propylene Diene (EPDM)
Pressure Range	Min. 0 PSI / Max. 150 PSI
Body	Stainless steel (AISI 316)
Application	Low temperature, water, steam, alcohol, and automotive brake fluid

* Other applications, check compatibility



Electrical Specifications

Products	Electrical Properties		
Code	Voltage	Wattage	Connection
23538	24 Vcc	20 Watts	DIN 43650A



REV.00

General Specifications

Ways / Position Not applicable

Connection Several

Hole Ø6,5 mm - (Kv 0,6) Flow factor

Seal Fluorocarbon elastomer (Viton)

Pressure Range Min. 0 PSI / Max. 50 PSI

Body Brass (ASTM B16)

Application High temperature oils (100 to 150 °C), silicone oil and greases, air, LPG, CNG, Di-Ester, Oxygen, Water and Steam based lubricants

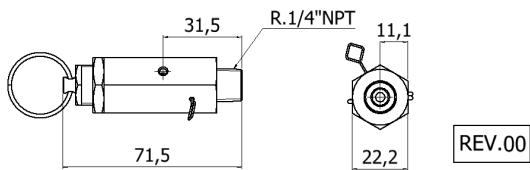
* Other applications, check compatibility



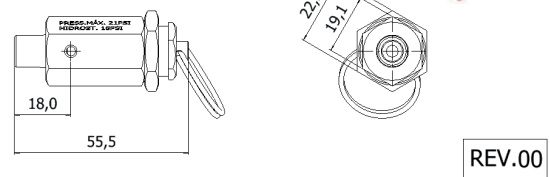
Electrical Specifications

Code	Connection	Pressão	Dimension
09793	Male 1/4" NPT	Opening 40 -2+4	D1
11893	Male 1/4" NPT	Opening 27 -2+4	D2
25598	Female 1/8" NPT	Opening 45 +-2	D3
25487	Male 1/8" NPT	Opening 21 -2+4	D4
22312	Male 1/4" BSP	Opening 48 +-2	D5
06173	Female 1/8" NPT	Opening 45 +-2	D6

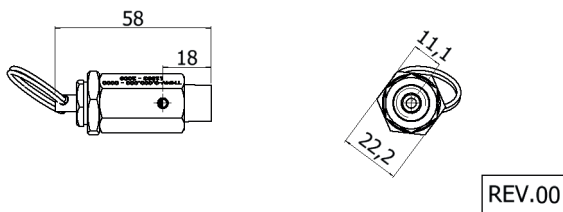
D1



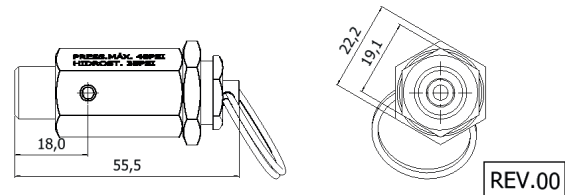
D4



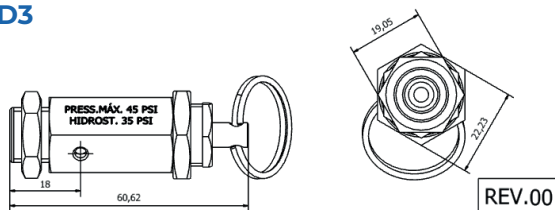
D2



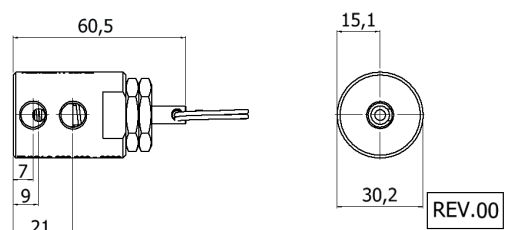
D5



D3



D6



General Specifications

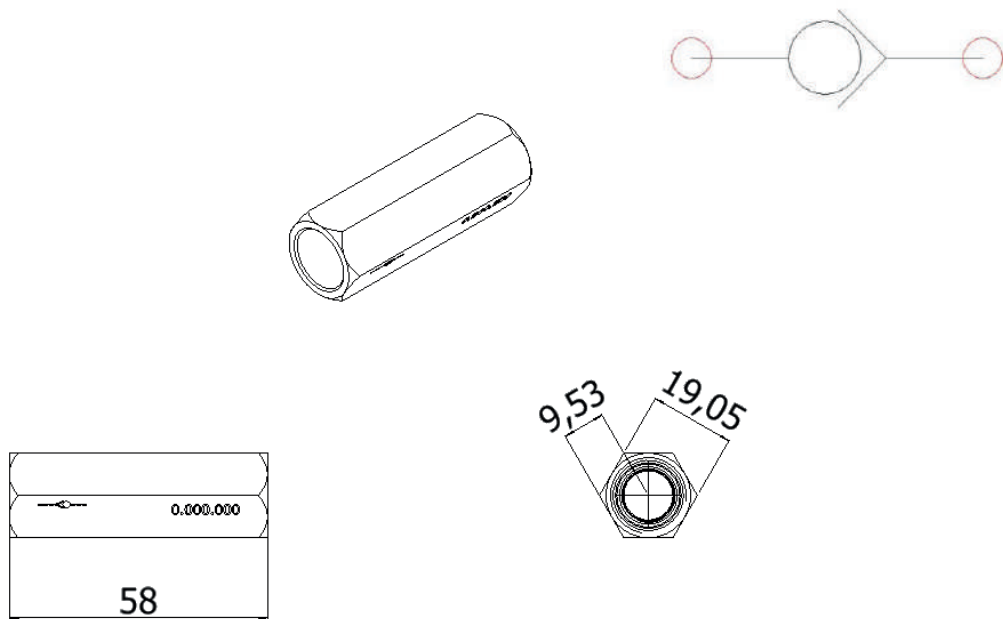
Ways / Position	Not applicable
Connection	Female 3/8" NPT (ANSI B2.1) - Input / Output
Hole	Ø1,6 mm - (Kv 0,082) Flow factor
Seal	Polymer N 30000-7 B (Nitrile)
Pressure Range	Min. 0 PSI / Max. 150 PSI
Body	Brass Hexagonal (ASTM B16)
Application	Mineral oils, hydraulic fluids, LPG, NG, air, and water

* Other applications, check compatibility



Electrical Specifications

Products	Electrical Properties		
Code	Voltage	Wattage	Connection
12207	-	-	-



REV.00

General Specifications

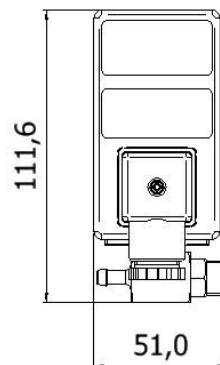
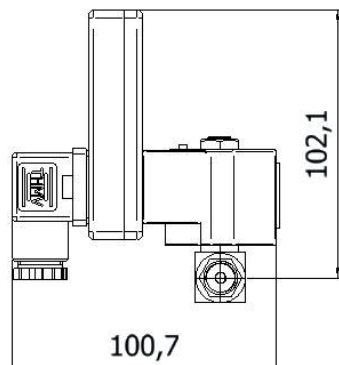
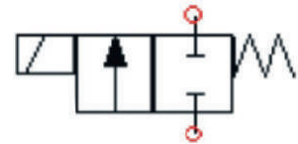
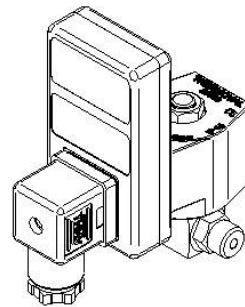
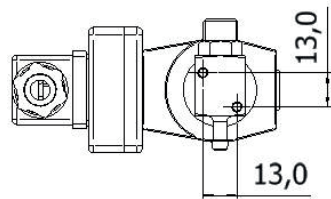
Ways / Position	2 Ways NF
Connection	Male Thread 1/4" BSP (ISO 228/1) - Input Spike Ø 6,5 mm - Output
Hole	Ø3,0 mm - (Kv 0,23) Flow factor
Seal	Polymer N 30000-7 B (Nitrile)
Pressure Range	Min. 0 PSI / Max. 150/350 PSI
Body	Brass (ASTM B16)
Application	Air, LPG, water

*Other applications, check compatibility



Especificações Elétricas

Products	Electrical Properties		
Code	Voltage	Wattage	Connection
23980	110/220 V 50/60 Hz	20 / 50 Watts	DIN 43650A



REV.00

Function	Description	Manufacturer	Cód. Original	Connector	Cód. Thermoval	Foto
Valve electrical connector	Connector	-	-	DIN43650A	15257	
	Connector	-	-	DIN43650A LED	14861	
	Connector	-	-	DIN43650A LED WITH VARISTOR/RECTIFIER	15258	
	Connector	-	-	DIN43650B	15259	
	Connector	-	-	DIN43650B LED DC	16422	
	Connector	-	-	DIN43650B LED AC	16543	
Function	Description	Medida	Cód. Original	Foto		
Plastic Connections	Connection Straight R. Male M5x0,8 For 4mm Tube (Quick hitch)	M5X04MM	22598			
	Connection Straight R.male 1/4"bspp For 4mm Tube (Quick hitch)	1/4"X04MM	22600			
	Connection Straight R.male 1/8"bspp For 4mm Tube (Quick hitch)	1/8"X04MM	22599			
	Connection Straight R.male M5x0,8 For 6mm Tube (Quick hitch)	M5X06MM	22601			

MISSION

Atender as necessidades dos clientes criando valor aos acionistas, colaboradores e a sociedade de forma sustentável.

VISION

To be a global company providing innovative solutions aligned with the needs of the client.

VALUES

- > Satisfied customer
- > Excellence in everything you do
- > Committed and accomplished people
- > team spirit
- > Integrity, ethics and transparency
- > Innovation and creativity
- > Respect for the human being
- > Overcoming
- > Total safety in the work environment
- > Sustainable Entrepreneurship
- > Value generation

QUALITY POLICY

Thermoval Indústria de Válvulas Ltda, a company that develops, manufactures and sells solenoid valves, air operated valves, SAFETY VALVES, valves, spindles and their components and injects plastic parts, aims to:

- Meet the needs of your customers;
- Meet the applicable legal requirements and the requirements of the Quality Management System;
- Develop and manufacture superior and quality Products;
- Be an innovative company;
- Increase market share;
- Have operational excellence with inspired and high-performance people;
- Generate value for shareholders and other stakeholders with whom it relates



Condomínio

THERMOVAL

Soluções Industriais

Estrada Municipal CRV 09 Km01 S/N,
Distrito Industrial Cravinhos, SP
CEP: 14140-000

Central de atendimento

+55 16 3951-9100

+55 16 3951-9100

atendimento@thmv.com.br



THERMOVAL

Smart Valve Solutions

345 Bryan RD
Dania Beach, FL, U.S.A
33004
+1 (954) 835-5523



Strokmatic
Automation Technology

Av. Plácido Hugo de Oliveira, 555
Galpão 10, Itinga, Joinville - SC
CEP: 89233-580