



# **THERMOVAL**

Smart Valve Solutions

## **ENERGY**



# GROUP THMV



Specialized in the production and sales of Solenoid Valves, Air-operated Valves, Safety Valves, Shut-off valve, Leadscrew, and Valves' accessories.

We count with a complete portfolio and development of unique projects. We have a Logistic Center with 1,600m<sup>2</sup>, filled with products in stock. The production is national, and our products have 1-year warranty.



Offers electropneumatic and electrohydraulic projects for automation, from the panels' production to its installation and beginning of operations. In addition, we count with qualified professionals to automate industrial processes aiming productivity and/or quality gains.

We develop complete solutions in solar energy generation with modules, inverters, transformers, cubicles and substations.



Commercialization of industrial parts and components for the following segments: agricultural, food and beverage; energy and sanitation; manufacturing; industrial automation; health and chemicals and transportation.



We count with modern injection machines, with up to 700 tons of capacity to inject plastic parts. Also equipped with 3D printing machines, and sandblasting on all types of surfaces - flat and irregular areas - we seek more and more to offer high quality products.



With a modern structure and qualified professionals for the development of projects for plastic injection and aluminum molds, stamps, devices, services and maintenance.

The confection process is fully monitored and inspected by specialized professionals.

We offer a high precision service in molds and matrices guaranteeing quality and accuracy in injection process.



Unit Thermoval USA with specialized service for sales and distribution of products to North America, Central America, Europe, Africa, Asia and Oceania.



We are currently the largest exclusive distributor of São Marco's copper wires in the state of São Paulo. We sell copper wires, varnish and solvents. We have a specialized service with express delivery.



Specialized in the manufacture and sale of cylinders, fittings, solenoid and pneumatics valves and automation.

Producto	Página
Universal - Body Inox	05
Universal - Body Brass	22
Electronic Trap (On:0,5 a 10seg / Off:0,5 a 45 min)	41
Trap with Y filter	42
MANUAL RESET - Body Brass - Normally open	43
Direct Action - Diaphragm - Normally Closed	44
GENERAL USE - Coil S-87 - Body Brass	45
GENERAL USE - Body Brass	57
GENERAL USE - Inox 316	61
GENERAL USE - Inox 316	63
Servo Operada - Inox 316 - Normally open	67
Inox - Normally Closed	68
Direct Action - Normally open	73
Pneumatic Control - Normally Closed	74
Valve AngulAir - Normally open	75
Filtro Manga - Normally closed	76
PNEUMATIC - Normally Closed	86
PNEUMATIC - 1/2" NPT	96
PNEUMATIC - Body Aluminum	97
PNEUMATIC - Body Inox	103
Steam - Normally Closed	106
Position Monitor - Polycarbonate	111
Position Monitor - Inox	113
Position Monitor / VS 5/2 vías - Double Solenoid - 24 Vcc	114
Position Monitor - Stainless steel	115
Position Monitor	116
Pneumatic Control - Normally closed	118



## General Specifications

**Ways/ Position** 3 Universal Ways

**Connection** Female 1/4" BSP - Input / Output

**Orifice** Ø 1,0 mm - ( Kv 0,04 ) Flow factor.

**Seal** Fluorocarbon elastomer (Viton)

**Pressure Range** Min.0 PSI / Max.150 PSI

**Body** Stainless steel (AISI 303/304)

**Application** High temperature oils (100 a 150 °C), Silicone oil and greases, Air, GLP, GNV, Di-Ester based lubricants, Oxygen, Water and Steam

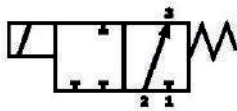
\* Other applications see compatibility



## Electrical Specifications

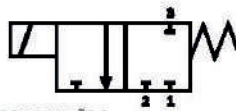
Products	Electrical Properties		
Code 1/4" BSP	Voltage	Wattage	Connection
26403	12 Vcc	25 Watts	Electric DIN 43650A
26404	24 Vcc	25 Watts	Electric DIN 43650A
26405	24 V 50/60 Hz	25 Watts	Electric DIN 43650A
26406	110/127 V 50/60 Hz	25 Watts	Electric DIN 43650A
26407	220/240 V 50/60 Hz	25 Watts	Electric DIN 43650A

2 VIAS NA



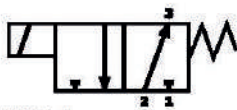
COLOCAR TAMPÃO 1  
ENTRADA: 2

2 VIAS NF



COLOCAR TAMPÃO 2  
ENTRADA: 3

3 VIAS NA

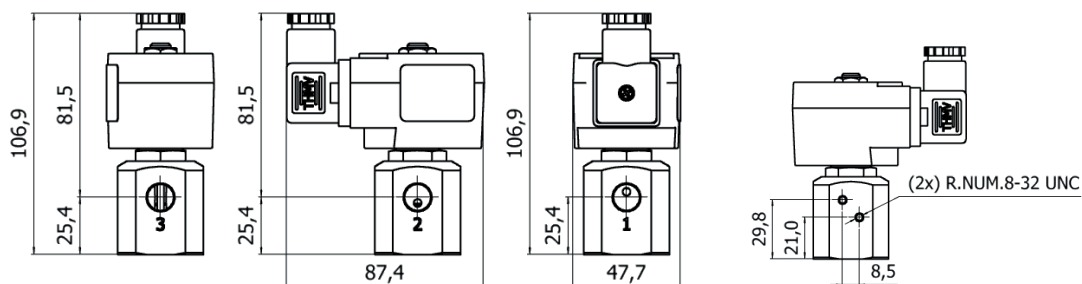


ENTRADA: 2

3 VIAS NF



ENTRADA: 1



## General Specifications

**Ways/ Position** 3 Universal Ways

**Connection** Female 1/4" BSP - Input / Output

**Orifice** Ø 1,5 mm - ( Kv 0,07 ) Flow factor.

**Seal** Fluorocarbon elastomer (Viton)

**Pressure Range** Min.0 PSI / Max.150 PSI

**Body** Stainless steel (AISI 303/304)

**Application** High temperature oils (100 a 150 °C), Silicone oil and greases, Air, GLP, GNV, Di-Ester based lubricants, Oxygen, Water and Steam

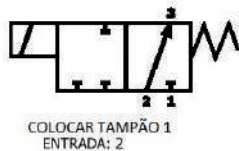
\* Other applications, check compatibility



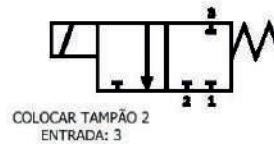
## Electrical Specifications

Products	Electrical Properties		
Code 1/4" BSP	Voltage	Wattage	Connection
26408	12 Vcc	25 Watts	Electric DIN 43650A
26409	24 Vcc	25 Watts	Electric DIN 43650A
26410	24 V 50/60 Hz	25 Watts	Electric DIN 43650A
26411	110/127 V 50/60 Hz	25 Watts	Electric DIN 43650A
26412	220/240 V 50/60 Hz	25 Watts	Electric DIN 43650A

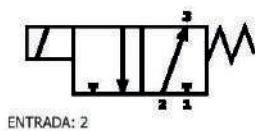
2 VIAS NA



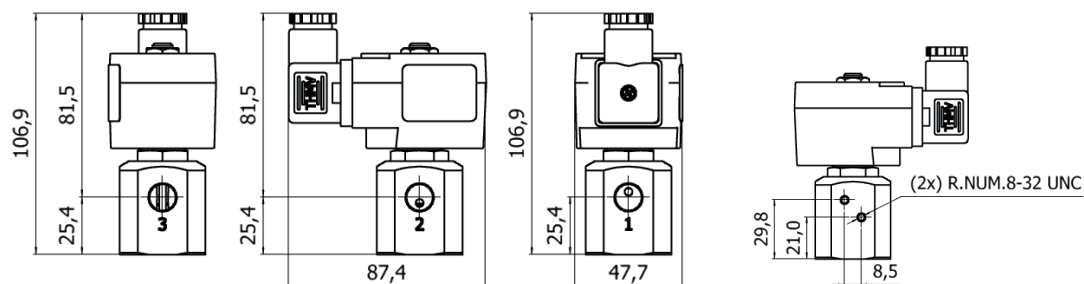
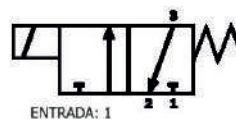
2 VIAS NF



3 VIAS NA



3 VIAS NF



## General Specifications

**Ways/ Position** 3 Universal Ways

**Connection** Female 1/4" BSP - Input / Output

**Orifice** Ø 2,0 mm - ( Kv 0,12 ) Flow factor.t

**Seal** Fluorocarbon elastomer (Viton)

**Pressure Range** Min.0 PSI / Max.150 PSI

**Body** Stainless steel (AISI 303/304)

**Application** High temperature oils (100 a 150 °C), Silicone oil and greases, Air, GLP, GNV, Di-Ester based lubricants, Oxygen, Water and Steam

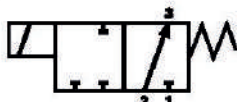
\* Other applications, check compatibility



## Electrical Specifications

Products	Electrical Properties		
Code 1/4" BSP	Voltage	Wattage	Connection
26413	12 Vcc	25 Watts	Electric DIN 43650A
26414	24 Vcc	25 Watts	Electric DIN 43650A
26415	24 V 50/60 Hz	25 Watts	Electric DIN 43650A
26416	110/127 V 50/60 Hz	25 Watts	Electric DIN 43650A
26417	220/240 V 50/60 Hz	25 Watts	Electric DIN 43650A

2 VIAS NA



COLOCAR TAMPÃO 1  
ENTRADA: 2

2 VIAS NF



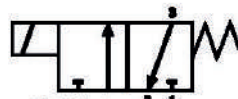
COLOCAR TAMPÃO 2  
ENTRADA: 3

3 VIAS NA

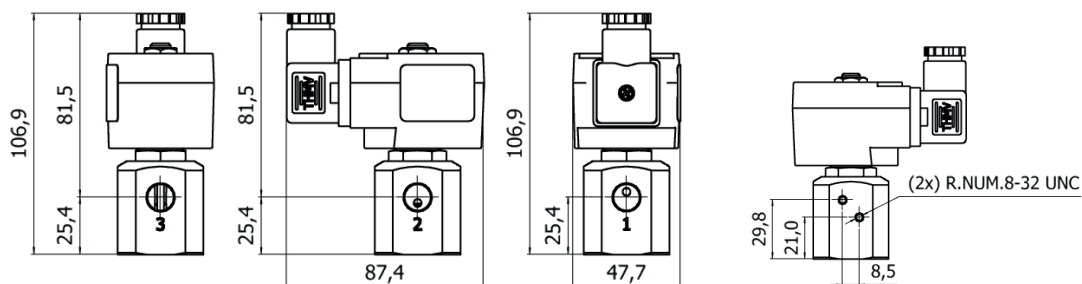


ENTRADA: 2

3 VIAS NF



ENTRADA: 1



## General Specifications

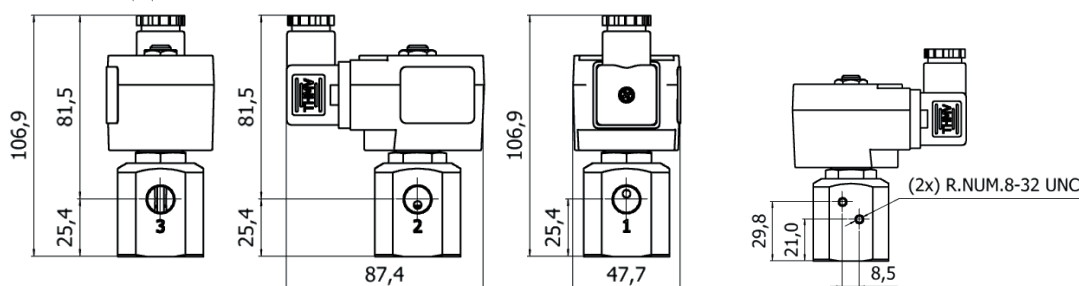
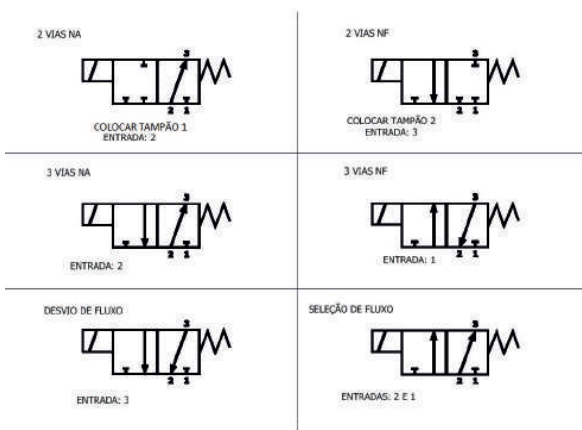
<b>Ways/ Position</b>	3 Universal Ways
<b>Connection</b>	Female 1/4" BSP - Input / Output
<b>Orifice</b>	Ø 2,5 mm - ( Kv 0,18 ) Flow factor.
<b>Seal</b>	Fluorocarbon elastomer (Viton)
<b>Pressure Range</b>	Min.0 PSI / Max.150 PSI
<b>Body</b>	Stainless steel (AISI 303/304)
<b>Application</b>	High temperature oils (100 a 150 °C), Silicone oil and greases, Air, GLP, GNV, Di-Ester based lubricants, Oxygen, Water and Steam

\* Other applications, check compatibility



## Electrical Specifications

Products	Electrical Properties		
Code 1/4" BSP	Voltage	Wattage	Connection
26418	12 Vcc	25 Watts	Electric DIN 43650A
26419	24 Vcc	25 Watts	Electric DIN 43650A
26420	24 V 50/60 Hz	25 Watts	Electric DIN 43650A
26421	110/127 V 50/60 Hz	25 Watts	Electric DIN 43650A
26422	220/240 V 50/60 Hz	25 Watts	Electric DIN 43650A





## General Specifications

**Ways/ Position** 3 Universal Ways

**Connection** Female 1/4" BSP - Input / Output

**Orifice** Ø 3,0 mm - ( Kv 0,23 ) Flow factor.

**Seal** Fluorocarbon elastomer (Viton)

**Pressure Range** Min.0 PSI / Max.50 PSI

**Body** Stainless steel (AISI 303/304)

**Application** High temperature oils (100 a 150 °C), Silicone oil and greases, Air, GLP, GNV, Di-Ester based lubricants, Oxygen, Water and Steam

\* Other applications see compatibility



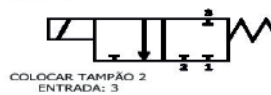
## Electrical Specifications

Products	Electrical Properties		
Code 1/4" BSP	Voltage	Wattage	Connection
26430	12 Vcc	25 Watts	Electric DIN 43650A
26431	24 Vcc	25 Watts	Electric DIN 43650A
26432	24 V 50/60 Hz	25 Watts	Electric DIN 43650A
26433	110/127 V 50/60 Hz	25 Watts	Electric DIN 43650A
26434	220/240 V 50/60 Hz	25 Watts	Electric DIN 43650A

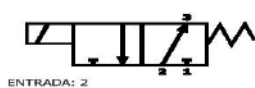
2 VIAS NA



2 VIAS NF



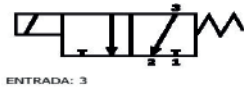
3 VIAS NA



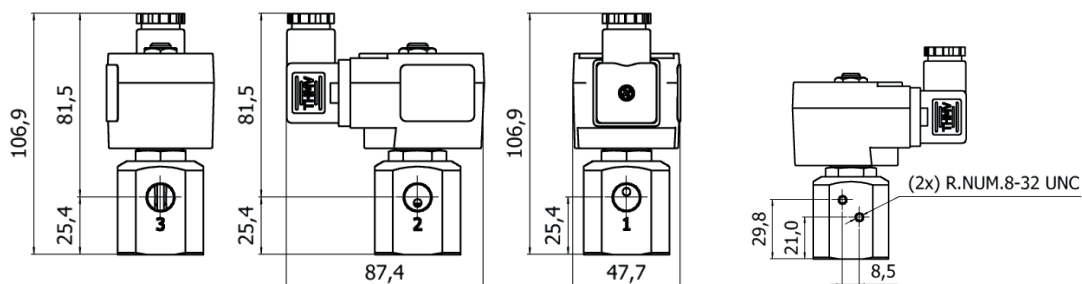
3 VIAS NF



DESVIO DE FLUXO



SELEÇÃO DE FLUXO



## General Specifications

**Ways/ Position** 3 Universal Ways

**Connection** Female 1/4" BSP - Input / Output

**Orifice** Ø 3,5 mm - ( Kv 0,31 ) Flow factor.

**Seal** Fluorocarbon elastomer (Viton)

**Pressure Range** Min.0 PSI / Max.50 PSI

**Body** Stainless steel (AISI 303/304)

**Application** High temperature oils (100 a 150 °C), Silicone oil and greases, Air, GLP, GNV, Di-Ester based lubricants, Oxygen, Water and Steam

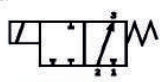
\* Other applications, check compatibility



## Electrical Specifications

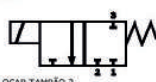
Products	Electrical Properties		
Code 1/4" BSP	Voltage	Wattage	Connection
26435	12 Vcc	25 Watts	Electric DIN 43650A
26436	24 Vcc	25 Watts	Electric DIN 43650A
26437	24 V 50/60 Hz	25 Watts	Electric DIN 43650A
26438	110/127 V 50/60 Hz	25 Watts	Electric DIN 43650A
26439	220/240 V 50/60 Hz	25 Watts	Electric DIN 43650A

2 VIAS NA



COLOCAR TAMPÃO 1  
ENTRADA: 2

2 VIAS NF



COLOCAR TAMPÃO 2  
ENTRADA: 3

3 VIAS NA



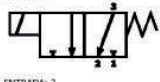
ENTRADA: 2

3 VIAS NF



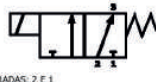
ENTRADA: 1

DESVIO DE FLUXO

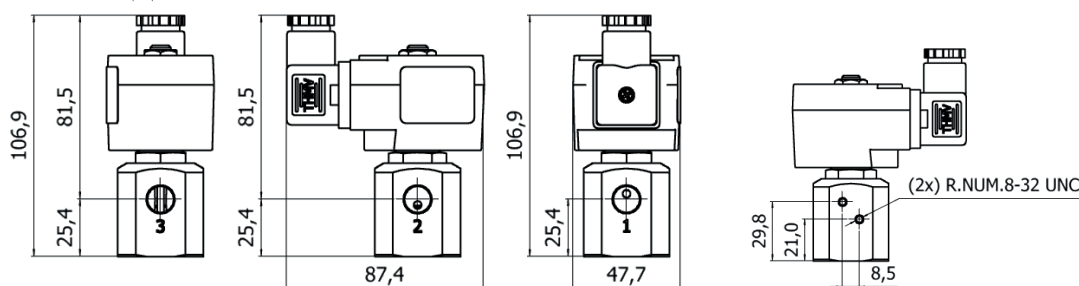


ENTRADA: 3

SELEÇÃO DE FLUXO



ENTRADAS: 2 E 1



## General Specifications

**Ways/ Position** 3 Universal Ways

**Connection** Female 1/4" BSP - Input / Output

**Orifice** Ø 4,0 mm - ( Kv 0,36 ) Flow factor.

**Seal** Fluorocarbon elastomer (Viton)

**Pressure Range** Min.0 PSI / Max.50 PSI

**Body** Stainless steel (AISI 303/304)

**Application** High temperature oils (100 a 150 °C), Silicone oil and greases, Air, GLP, GNV, Di-Ester based lubricants, Oxygen, Water and Steam

\* Other applications see compatibility



## Electrical Specifications

Products	Electrical Properties		
Code 1/4" BSP	Voltage	Wattage	Connection
26440	12 Vcc	25 Watts	Electric DIN 43650A
26441	24 Vcc	25 Watts	Electric DIN 43650A
26442	24 V 50/60 Hz	25 Watts	Electric DIN 43650A
26443	110/127 V 50/60 Hz	25 Watts	Electric DIN 43650A
26444	220/240 V 50/60 Hz	25 Watts	Electric DIN 43650A

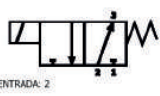
2 VIAS NA



2 VIAS NF



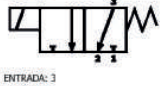
3 VIAS NA



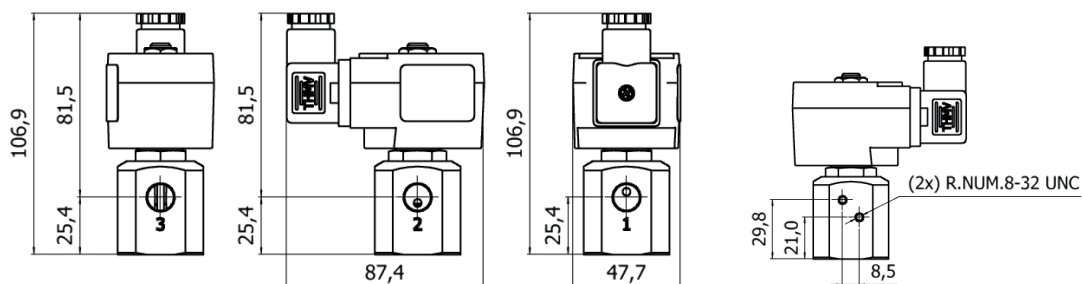
3 VIAS NF



DESVIO DE FLUXO



SELEÇÃO DE FLUXO



## General Specifications

**Ways/ Position** 3 Universal Ways

**Connection** Female 1/4" BSP - Input / Output

**Orifice** Ø 4,5 mm - ( Kv 0,42 ) Flow factor.

**Seal** Fluorocarbon elastomer (Viton)

**Pressure Range** Min.0 PSI / Max.50 PSI

**Body** Stainless steel (AISI 303/304)

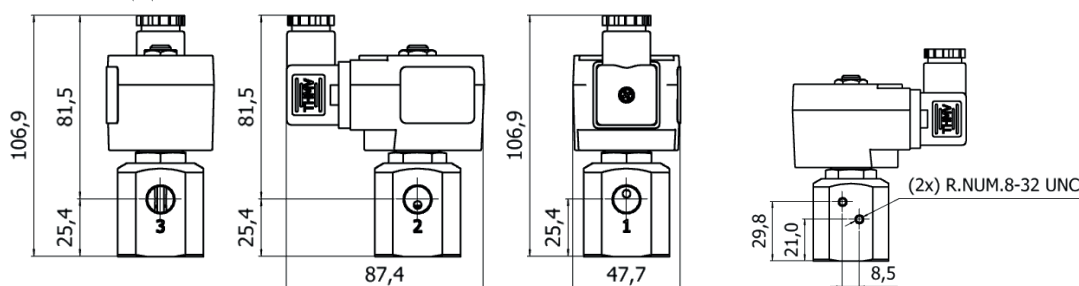
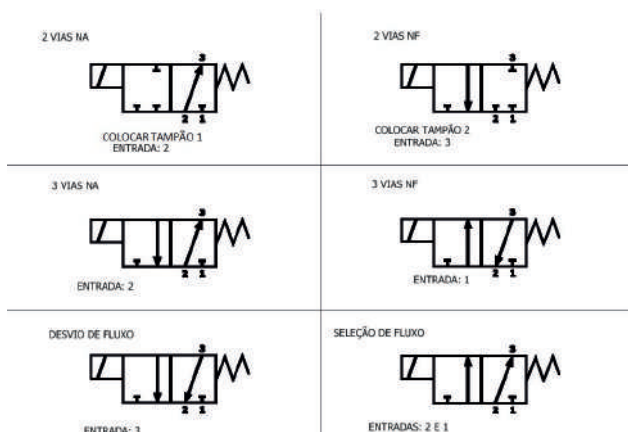
**Application** High temperature oils (100 a 150 °C), Silicone oil and greases, Air, GLP, GNV, Di-Ester based lubricants, Oxygen, Water and Steam

\* Other applications, check compatibility



## Electrical Specifications

Products	Electrical Properties		
Code 1/4" BSP	Voltage	Wattage	Connection
26445	12 Vcc	25 Watts	Electric DIN 43650A
26446	24 Vcc	25 Watts	Electric DIN 43650A
26447	24 V 50/60 Hz	25 Watts	Electric DIN 43650A
26448	110/127 V 50/60 Hz	25 Watts	Electric DIN 43650A
26449	220/240 V 50/60 Hz	25 Watts	Electric DIN 43650A



## General Specifications

**Ways/ Position** 3 Universal Ways

**Connection** Female 1/4" BSP - Input / Output

**Orifice** Ø 1,0 mm - ( Kv 0,04 ) Flow factor.

**Seal** Fluorocarbon elastomer (Viton)

**Pressure Range** Min.0 PSI / Max.150 PSI

**Body** Stainless steel (AISI 303/304)

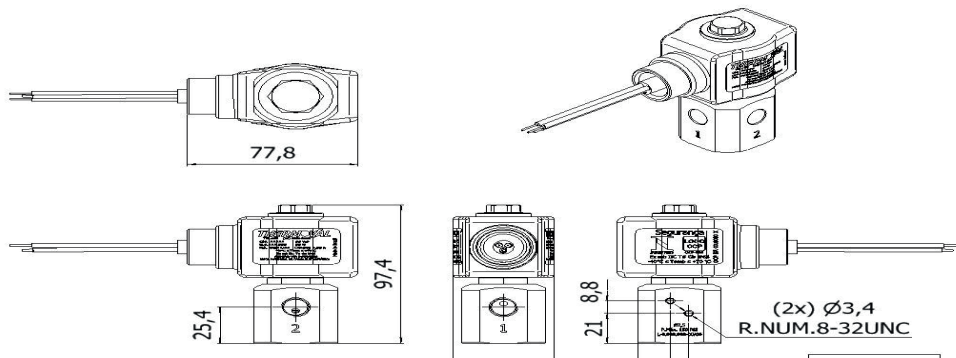
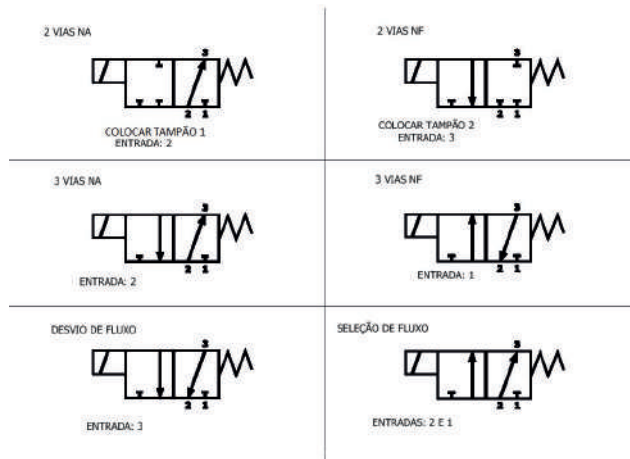
**Application** High temperature oils (100 a 150 °C), Silicone oil and greases, Air, GLP, GNV, Di-Ester based lubricants, Oxygen, Water and Steam

\* Other applications see compatibility



## Electrical Specifications

Products	Electrical Properties		
Code 1/4" BSP	Voltage	Wattage	Connection
26473	12 Vcc	20 Watts	1/2" NPT with cable tin plated 150 + -10 (mm)
26474	24 Vcc	20 Watts	1/2" NPT with cable tin plated 150 + -10 (mm)
26475	24 V 50/60 Hz	20 Watts	1/2" NPT with cable tin plated 150 + -10 (mm)
26476	110/127 V 50/60 Hz	20 Watts	1/2" NPT with cable tin plated 150 + -10 (mm)
26477	220/240 V 50/60 Hz	20 Watts	1/2" NPT with cable tin plated 150 + -10 (mm)



## General Specifications

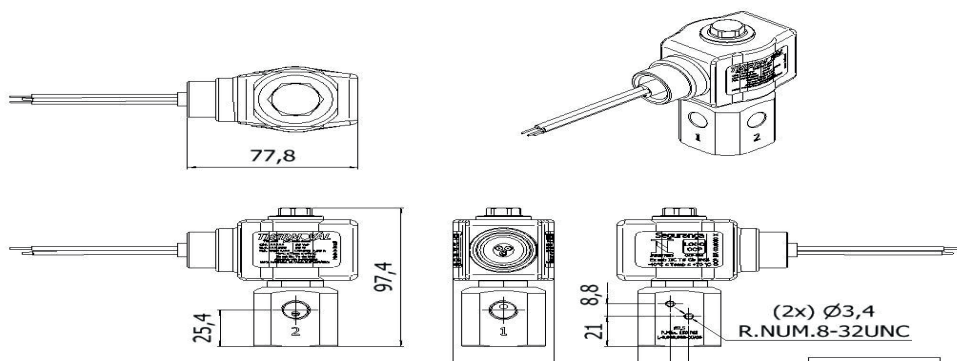
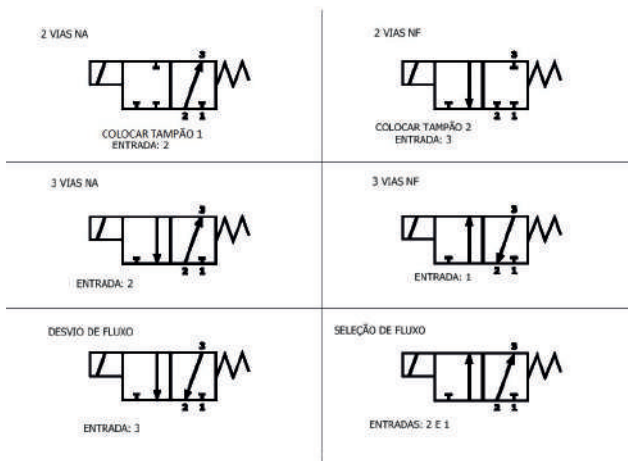
<b>Ways/ Position</b>	3 Universal Ways
<b>Connection</b>	Female 1/4" BSP - Input / Output
<b>Orifice</b>	Ø 1,5 mm - ( Kv 0,07 ) Flow factor.
<b>Seal</b>	Fluorocarbon elastomer (Viton)
<b>Pressure Range</b>	Min.0 PSI / Max.150 PSI
<b>Body</b>	Stainless steel (AISI 303/304)
<b>Application</b>	High temperature oils (100 a 150 °C), Silicone oil and greases, Air, GLP, GNV, Di-Ester based lubricants, Oxygen, Water and Steam

\* Other applications, check compatibility



## Electrical Specifications

Products	Electrical Properties		
Code 1/4" BSP	Voltage	Wattage	Connection
26478	12 Vcc	20 Watts	1/2" NPT with cable tin plated 150 + -10 (mm)
26479	24 Vcc	20 Watts	1/2" NPT with cable tin plated 150 + -10 (mm)
26480	24 V 50/60 Hz	20 Watts	1/2" NPT with cable tin plated 150 + -10 (mm)
26481	110/127 V 50/60 Hz	20 Watts	1/2" NPT with cable tin plated 150 + -10 (mm)
26482	220/240 V 50/60 Hz	20 Watts	1/2" NPT with cable tin plated 150 + -10 (mm)



## General Specifications

**Ways/ Position** 3 Universal Ways

**Connection** Female 1/4" BSP - Input / Output

**Orifice** Ø 2,0 mm - ( Kv 0,12 ) Flow factor.

**Seal** Fluorocarbon elastomer (Viton)

**Pressure Range** Min.0 PSI / Max.150 PSI

**Body** Stainless steel (AISI 303/304)

**Application** High temperature oils (100 a 150 °C), Silicone oil and greases, Air, GLP, GNV, Di-Ester based lubricants, Oxygen, Water and Steam

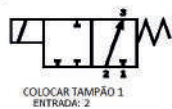
\* Other applications see compatibility



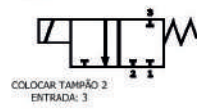
## Electrical Specifications

Products	Electrical Properties		
Code 1/4" BSP	Voltage	Wattage	Connection
26483	12 Vcc	20 Watts	1/2" NPT with cable tin plated 150 + -10 (mm)
26484	24 Vcc	20 Watts	1/2" NPT with cable tin plated 150 + -10 (mm)
26485	24 V 50/60 Hz	20 Watts	1/2" NPT with cable tin plated 150 + -10 (mm)
26486	110/127 V 50/60 Hz	20 Watts	1/2" NPT with cable tin plated 150 + -10 (mm)
26487	220/240 V 50/60 Hz	20 Watts	1/2" NPT with cable tin plated 150 + -10 (mm)

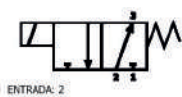
2 VIAS NA



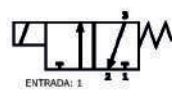
2 VIAS NF



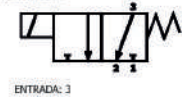
3 VIAS NA



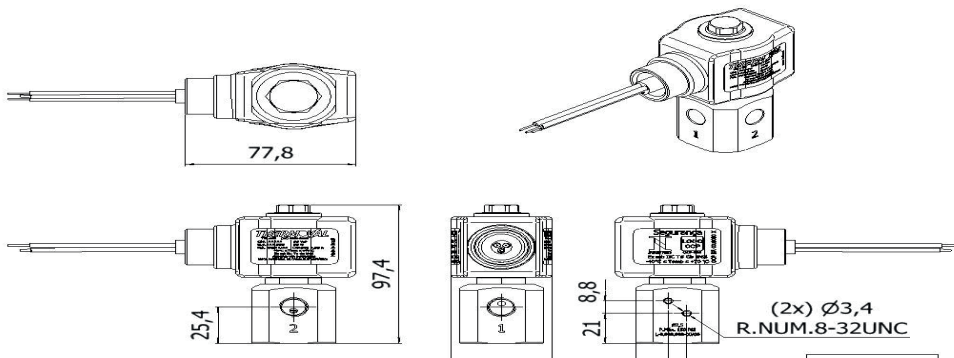
3 VIAS NF



DESVIO DE FLUXO



SELEÇÃO DE FLUXO



## General Specifications

**Ways/ Position** 3 Universal Ways

**Connection** Female 1/4" BSP - Input / Output

**Orifice** Ø 2,5 mm - ( Kv 0,18 ) Flow factor.

**Seal** Fluorocarbon elastomer (Viton)

**Pressure Range** Min.0 PSI / Max.150 PSI

**Body** Stainless steel (AISI 303/304)

**Application** High temperature oils (100 a 150 °C), Silicone oil and greases, Air, GLP, GNV, Di-Ester based lubricants, Oxygen, Water and Steam

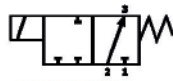
\* Other applications, check compatibility



## Electrical Specifications

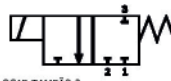
Products	Electrical Properties		
Code 1/4" BSP	Voltage	Wattage	Connection
26488	12 Vcc	20 Watts	1/2" NPT with cable tin plated 150 + -10 (mm)
26489	24 Vcc	20 Watts	1/2" NPT with cable tin plated 150 + -10 (mm)
26490	24 V 50/60 Hz	20 Watts	1/2" NPT with cable tin plated 150 + -10 (mm)
26491	110/127 V 50/60 Hz	20 Watts	1/2" NPT with cable tin plated 150 + -10 (mm)
26492	220/240 V 50/60 Hz	20 Watts	1/2" NPT with cable tin plated 150 + -10 (mm)

2 VIAS NA



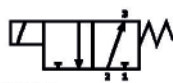
COLOCAR TAMPÃO 1  
ENTRADA: 2

2 VIAS NF



COLOCAR TAMPÃO 2  
ENTRADA: 3

3 VIAS NA



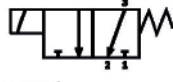
ENTRADA: 2

3 VIAS NF



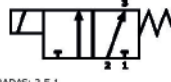
ENTRADA: 1

DESVIO DE FLUXO

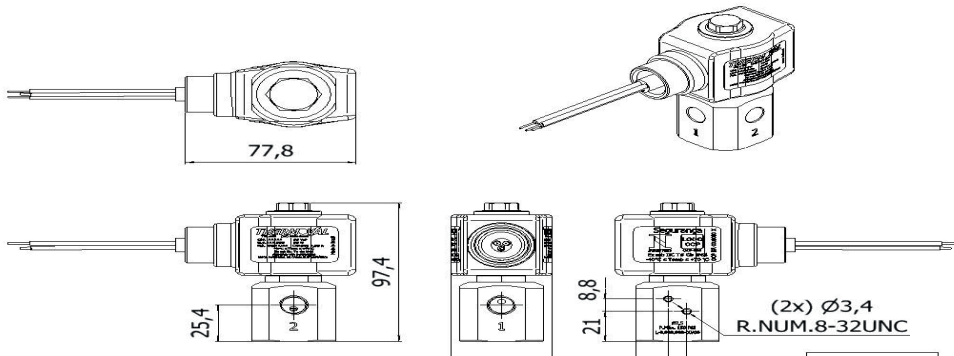


ENTRADA: 3

SELEÇÃO DE FLUXO



ENTRADAS: 2 E 1





## General Specifications

**Ways/ Position** 3 Universal Ways

**Connection** Female 1/4" BSP - Input / Output

**Orifice** Ø 3,0 mm - ( Kv 0,23 ) Flow factor.

**Seal** Fluorocarbon elastomer (Viton)

**Pressure Range** Min.0 PSI / Max.50 PSI

**Body** Stainless steel (AISI 303/304)

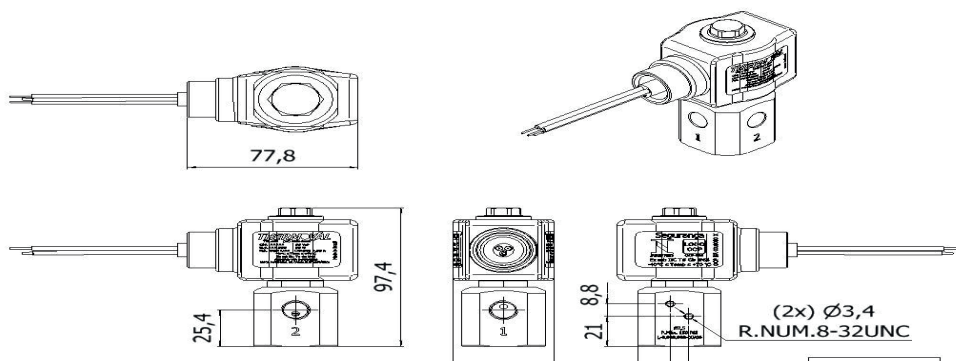
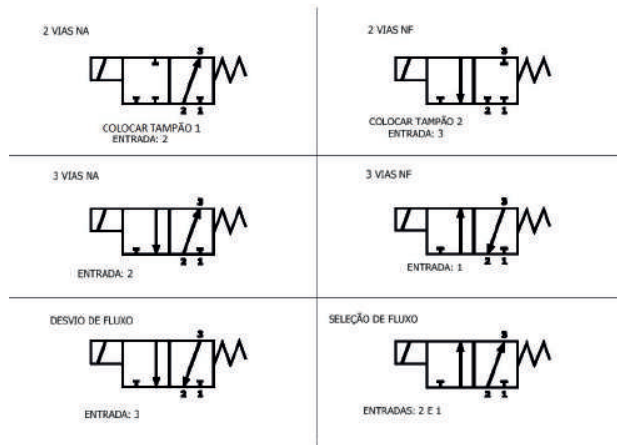
**Application** High temperature oils (100 a 150 °C), Silicone oil and greases, Air, GLP, GNV, Di-Ester based lubricants, Oxygen, Water and Steam

\* Other applications see compatibility



## Electrical Specifications

Products	Electrical Properties		
Code 1/4" BSP	Voltage	Wattage	Connection
26501	12 Vcc	20 Watts	1/2" NPT with cable tin plated 150 + -10 (mm)
26502	24 Vcc	20 Watts	1/2" NPT with cable tin plated 150 + -10 (mm)
26503	24 V 50/60 Hz	20 Watts	1/2" NPT with cable tin plated 150 + -10 (mm)
26504	110/127 V 50/60 Hz	20 Watts	1/2" NPT with cable tin plated 150 + -10 (mm)
26505	220/240 V 50/60 Hz	20 Watts	1/2" NPT with cable tin plated 150 + -10 (mm)



## General Specifications

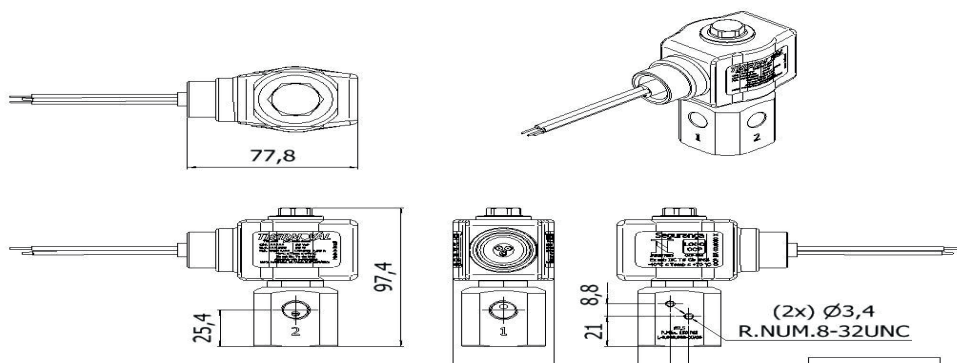
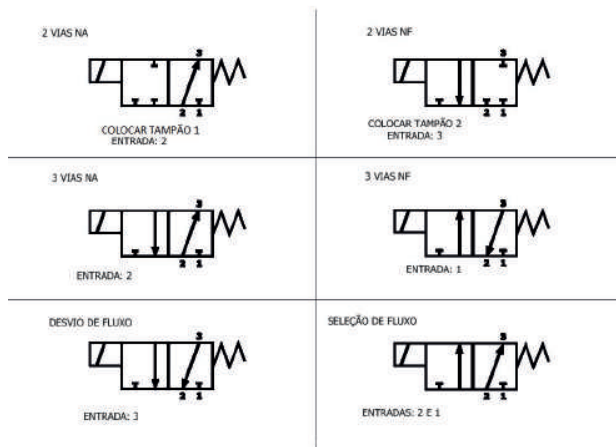
Ways/ Position	3 Universal Ways
Connection	Female 1/4" BSP - Input / Output
Orifice	Ø 3,5 mm - ( Kv 0,31 ) Flow factor.
Seal	Fluorocarbon elastomer (Viton)
Pressure Range	Min.0 PSI / Max.50 PSI
Body	Stainless steel (AISI 303/304)
Application	High temperature oils (100 a 150 °C), Silicone oil and greases, Air, GLP, GNV, Di-Ester based lubricants, Oxygen, Water and Steam

\* Other applications, check compatibility



## Electrical Specifications

Products	Electrical Properties		
Code 1/4" BSP	Voltage	Wattage	Connection
26506	12 Vcc	20 Watts	1/2" NPT with cable tin plated 150 + -10 (mm)
26507	24 Vcc	20 Watts	1/2" NPT with cable tin plated 150 + -10 (mm)
26508	24 V 50/60 Hz	20 Watts	1/2" NPT with cable tin plated 150 + -10 (mm)
26509	110/127 V 50/60 Hz	20 Watts	1/2" NPT with cable tin plated 150 + -10 (mm)
26510	220/240 V 50/60 Hz	20 Watts	1/2" NPT with cable tin plated 150 + -10 (mm)



## General Specifications

**Ways/ Position** 3 Universal Ways

**Connection** Female 1/4" BSP - Input / Output

**Orifice** Ø 4,0 mm - ( Kv 0,36 ) Flow factor.

**Seal** Fluorocarbon elastomer (Viton)

**Pressure Range** Min.0 PSI / Max.50 PSI

**Body** Stainless steel (AISI 303/304)

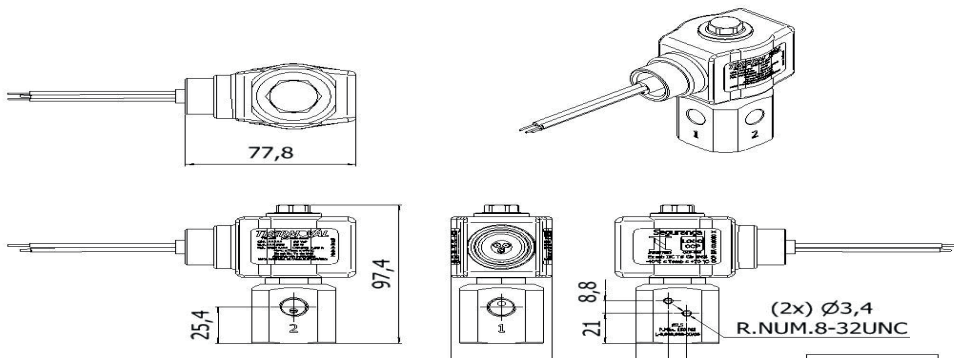
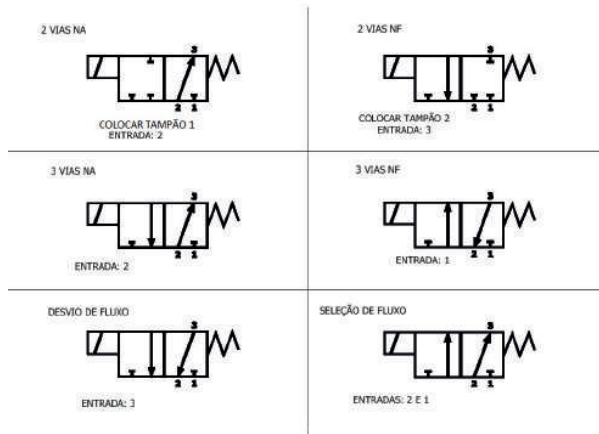
**Application** High temperature oils (100 a 150 °C), Silicone oil and greases, Air, GLP, GNV, Di-Ester based lubricants, Oxygen, Water and Steam

\* Other applications see compatibility



## Electrical Specifications

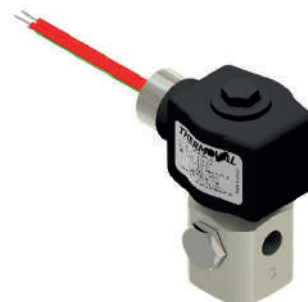
Products	Electrical Properties		
Code 1/4" BSP	Voltage	Wattage	Connection
26511	12 Vcc	20 Watts	1/2" NPT with cable tin plated 150 + -10 (mm)
26512	24 Vcc	20 Watts	1/2" NPT with cable tin plated 150 + -10 (mm)
26513	24 V 50/60 Hz	20 Watts	1/2" NPT with cable tin plated 150 + -10 (mm)
26514	110/127 V 50/60 Hz	20 Watts	1/2" NPT with cable tin plated 150 + -10 (mm)
26515	220/240 V 50/60 Hz	20 Watts	1/2" NPT with cable tin plated 150 + -10 (mm)



## General Specifications

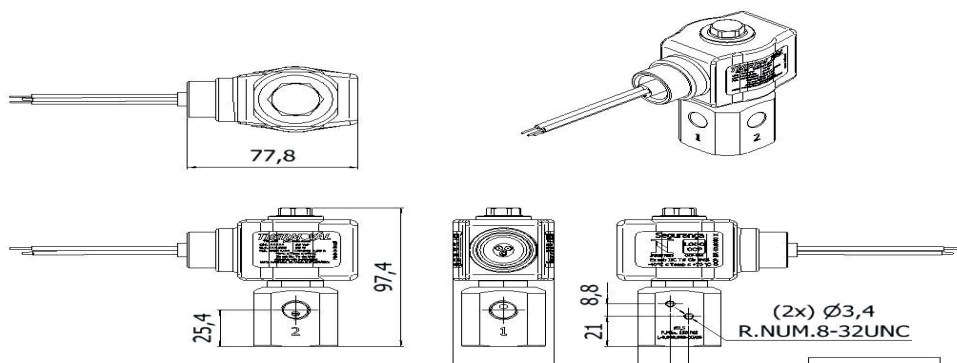
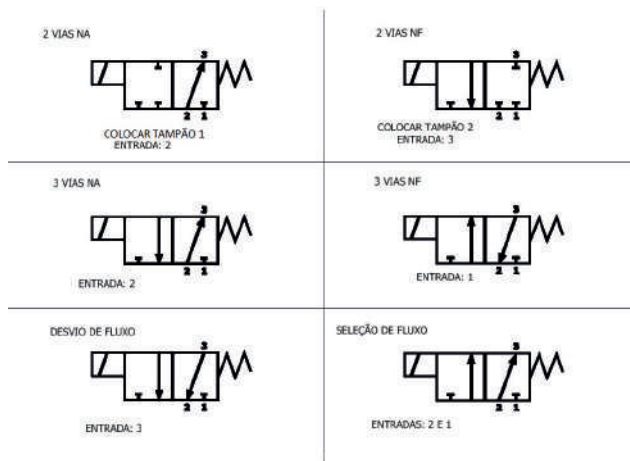
<b>Ways/ Position</b>	3 Universal Ways
<b>Connection</b>	Female 1/4" BSP - Input / Output
<b>Orifice</b>	Ø 4,5 mm - ( Kv 0,42 ) Flow factor.
<b>Seal</b>	Fluorocarbon elastomer (Viton)
<b>Pressure Range</b>	Min.0 PSI / Max.50 PSI
<b>Body</b>	Stainless steel (AISI 303/304)
<b>Application</b>	High temperature oils (100 a 150 °C), Silicone oil and greases, Air, GLP, GNV, Di-Ester based lubricants, Oxygen, Water and Steam

\* Other applications, check compatibility



## Electrical Specifications

Products	Electrical Properties		
Code 1/4" BSP	Voltage	Wattage	Connection
26516	12 Vcc	20 Watts	1/2" NPT with cable tin plated 150 + -10 (mm)
26517	24 Vcc	20 Watts	1/2" NPT with cable tin plated 150 + -10 (mm)
26518	24 V 50/60 Hz	20 Watts	1/2" NPT with cable tin plated 150 + -10 (mm)
26519	110/127 V 50/60 Hz	20 Watts	1/2" NPT with cable tin plated 150 + -10 (mm)
26520	220/240 V 50/60 Hz	20 Watts	1/2" NPT with cable tin plated 150 + -10 (mm)



## General Specifications

**Ways/ Position** 3 Universal Ways

**Connection** Female 1/4" NPT - Input / Output

**Orifice** Ø 2,5 mm - ( Kv 0,18 ) Flow factor.

**Seal** Fluorocarbon elastomer (Viton)

**Pressure Range** Min.0 PSI / Max.150 PSI

**Body** Stainless steel (AISI 303/304)

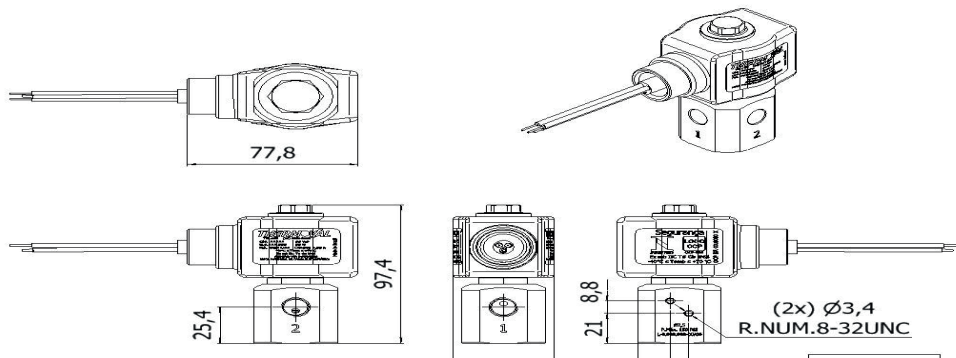
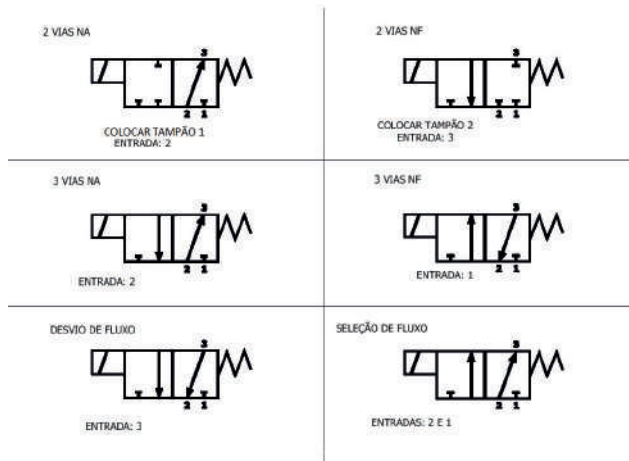
**Application** High temperature oils (100 a 150 °C), Silicone oil and greases, Air, GLP, GNV, Di-Ester based lubricants, Oxygen, Water and Steam

\* Other applications see compatibility



## Electrical Specifications

Products	Electrical Properties		
Code 1/4" NPT	Voltage	Wattage	Connection
28096	12 Vcc	20 Watts	1/2" NPT with cable tin plated 150 + -10 (mm)
28097	24 Vcc	20 Watts	1/2" NPT with cable tin plated 150 + -10 (mm)
28098	24 V 50/60 Hz	20 Watts	1/2" NPT with cable tin plated 150 + -10 (mm)
28099	110/127 V 50/60 Hz	20 Watts	1/2" NPT with cable tin plated 150 + -10 (mm)
28100	220/240 V 50/60 Hz	20 Watts	1/2" NPT with cable tin plated 150 + -10 (mm)



## General Specifications

**Ways/ Position** 3 Universal Ways

**Connection** Female 1/4" BSP - Input / Output

**Orifice** Ø1,0 mm - ( Kv 0,04 ) Flow factor.

**Seal** Fluorocarbon elastomer (Viton)

**Pressure Range** Min.0 PSI / Max.150 PSI

**Body** Brass (ASTM B16)

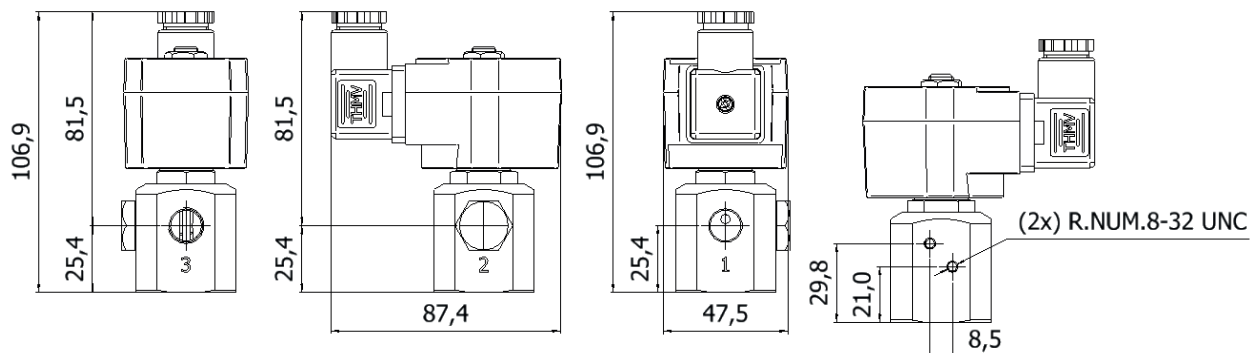
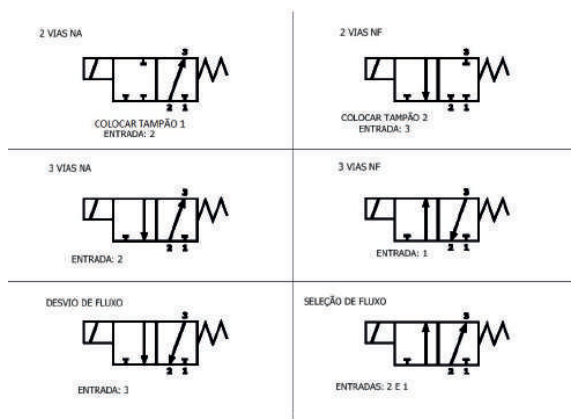
**Application** High temperature oils (100 a 150 °C), Silicone oil and greases, Air, GLP, GNV, Di-Ester based lubricants, Oxygen, Water and Steam

\* Other applications, check compatibility



## Electrical Specifications

Products	Electrical Properties		
Code 1/4" BSP	Voltage	Wattage	Connection
26308	12 Vcc	25 Watts	Electric DIN 43650A
26309	24 Vcc	25 Watts	Electric DIN 43650A
26310	24 V 50/60 Hz	25 Watts	Electric DIN 43650A
26311	110/127 V 50/60 Hz	25 Watts	Electric DIN 43650A
26312	220/240 V 50/60 Hz	25 Watts	Electric DIN 43650A



## General Specifications

**Ways/ Position** 3 Universal Ways

**Connection** Female 1/4" BSP - Input / Output

**Orifice** Ø 1,5 mm - ( Kv 0,07 ) Flow factor.

**Seal** Fluorocarbon elastomer (Viton)

**Pressure Range** Min.0 PSI / Max.150 PSI

**Body** Brass (ASTM B16)

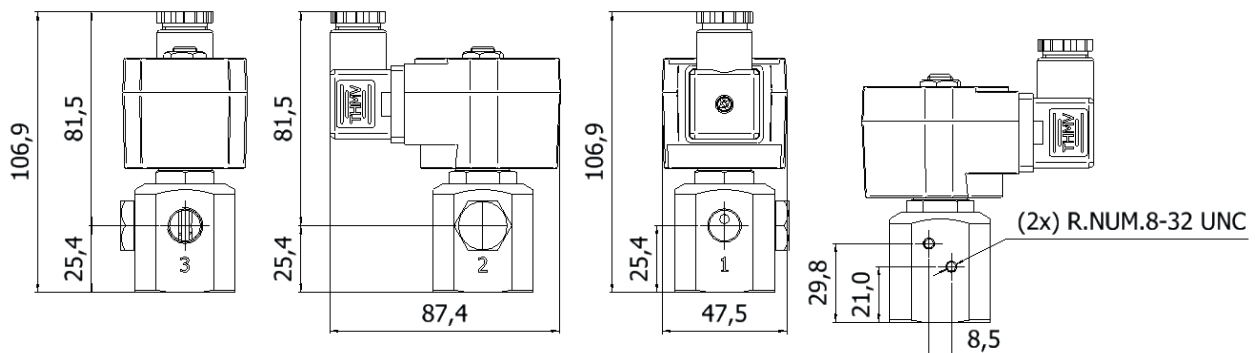
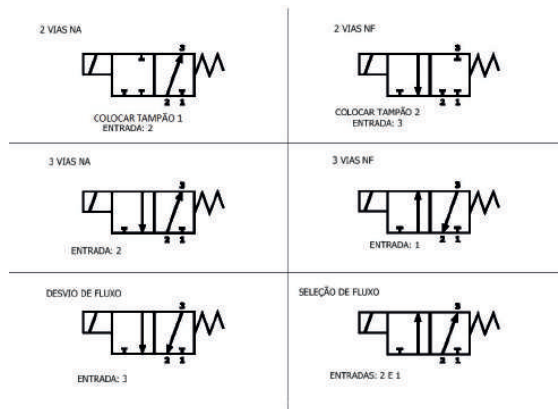
**Application** High temperature oils (100 a 150 °C), Silicone oil and greases, Air, GLP, GNV, Di-Ester based lubricants, Oxygen, Water and Steam

\* Other applications see compatibility



## Electrical Specifications

Products	Electrical Properties		
Code 1/4" BSP	Voltage	Wattage	Connection
26313	12 Vcc	25 Watts	Electric DIN 43650A
26314	24 Vcc	25 Watts	Electric DIN 43650A
26315	24 V 50/60 Hz	25 Watts	Electric DIN 43650A
26316	110/127 V 50/60 Hz	25 Watts	Electric DIN 43650A
26317	220/240 V 50/60 Hz	25 Watts	Electric DIN 43650A



## General Specifications

**Ways/ Position** 3 Universal Ways

**Connection** Female 1/4" BSP - Input / Output

**Orifice** Ø 2,0 mm - ( Kv 0,12 ) Flow factor.

**Seal** Fluorocarbon elastomer (Viton)

**Pressure Range** Min.0 PSI / Max.150 PSI

**Body** Brass (ASTM B16)

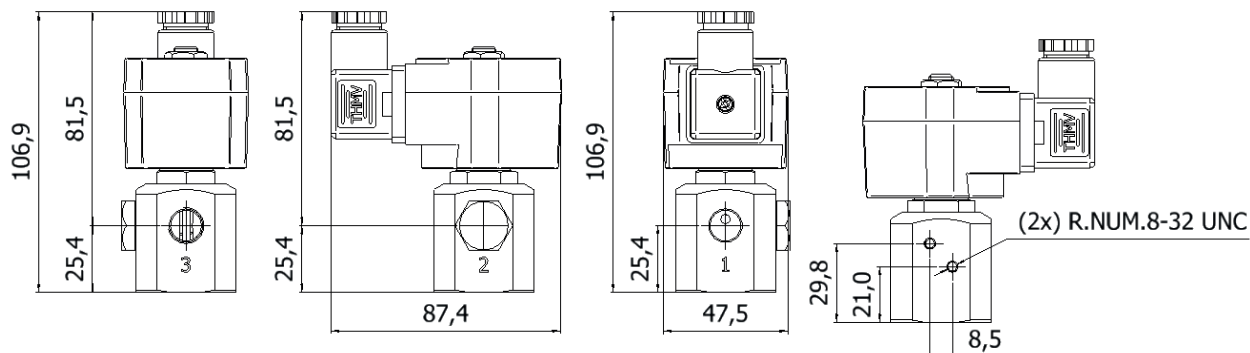
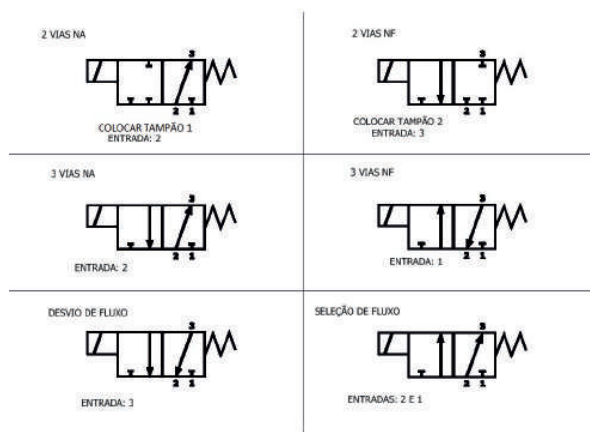
**Application** High temperature oils (100 a 150 °C), Silicone oil and greases, Air, GLP, GNV, Di-Ester based lubricants, Oxygen, Water and Steam

\* Other applications, check compatibility



## Electrical Specifications

Products	Electrical Properties		
Code 1/4" BSP	Voltage	Wattage	Connection
26318	12 Vcc	25 Watts	Electric DIN 43650A
26319	24 Vcc	25 Watts	Electric DIN 43650A
26320	24 V 50/60 Hz	25 Watts	Electric DIN 43650A
26321	110/127 V 50/60 Hz	25 Watts	Electric DIN 43650A
26322	220/240 V 50/60 Hz	25 Watts	Electric DIN 43650A





## General Specifications

**Ways/ Position** 3 Universal Ways

**Connection** Female 1/4" BSP - Input / Output

**Orifice** Ø 2,5 mm - ( Kv 0,12 ) Flow factor.

**Seal** Fluorocarbon elastomer (Viton)

**Pressure Range** Min.0 PSI / Max.150 PSI

**Body** Brass (ASTM B16)

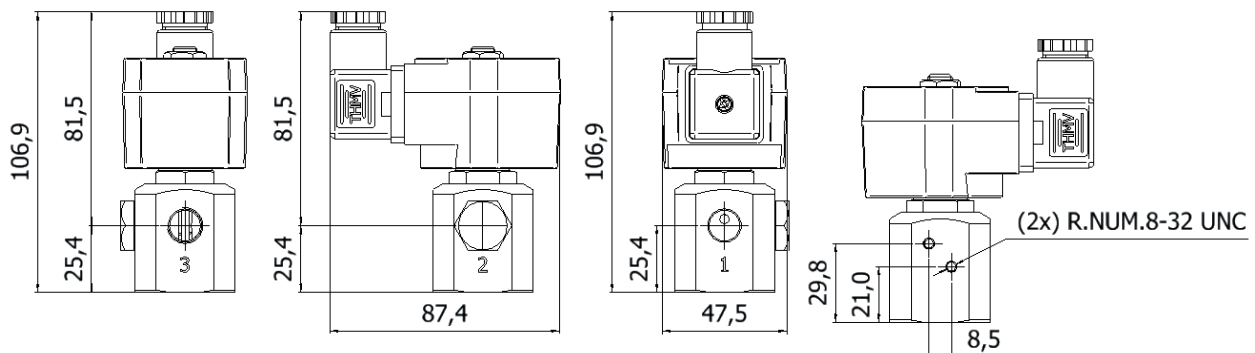
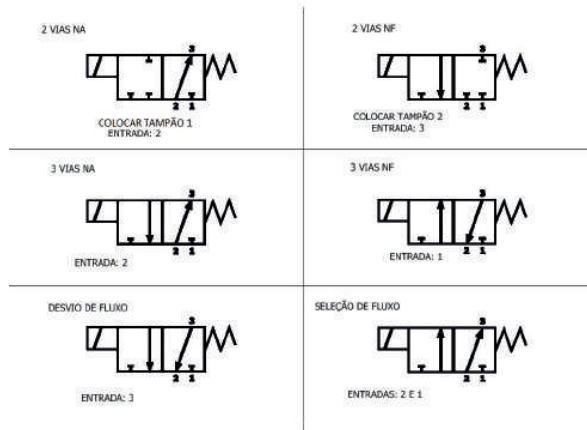
**Application** High temperature oils (100 a 150 °C), Silicone oil and greases, Air, GLP, GNV, Di-Ester based lubricants, Oxygen, Water and Steam

\* Other applications see compatibility



## Electrical Specifications

Products	Electrical Properties		
Code 1/4" BSP	Voltage	Wattage	Connection
26323	12 Vcc	25 Watts	Electric DIN 43650A
26324	24 Vcc	25 Watts	Electric DIN 43650A
26325	24 V 50/60 Hz	25 Watts	Electric DIN 43650A
26326	110/127 V 50/60 Hz	25 Watts	Electric DIN 43650A
26327	220/240 V 50/60 Hz	25 Watts	Electric DIN 43650A



## General Specifications

**Ways/ Position** 3 Universal Ways

**Connection** Female 1/4" BSP - Input / Output

**Orifice** Ø 3,0 mm - ( Kv 0,23 ) Flow factor.

**Seal** Fluorocarbon elastomer (Viton)

**Pressure Range** Min.0 PSI / Max.150 PSI

**Body** Brass (ASTM B16)

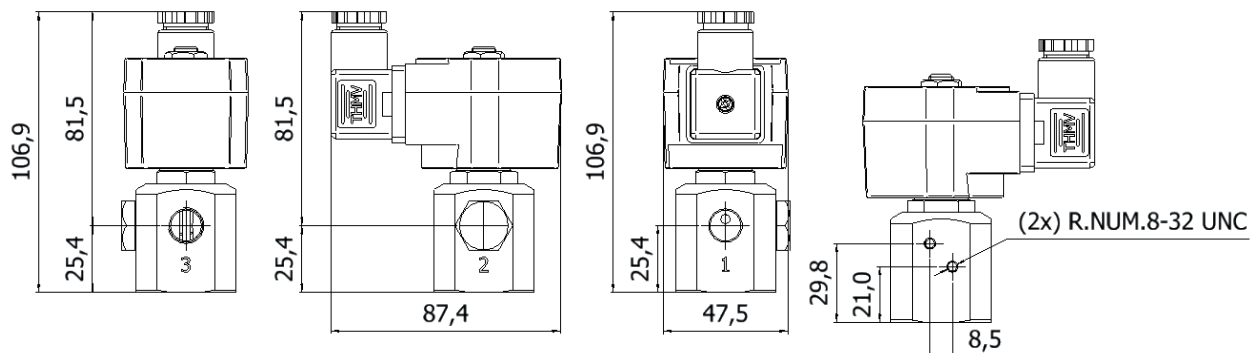
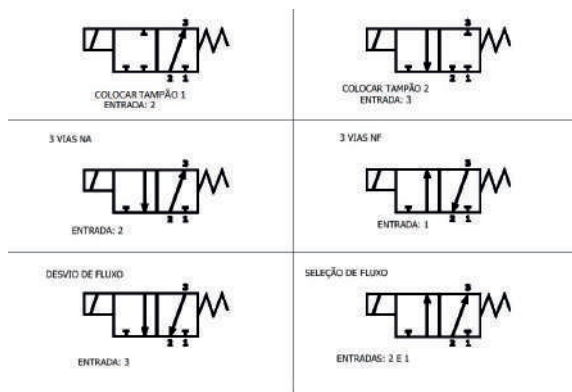
**Application** High temperature oils (100 a 150 °C), Silicone oil and greases, Air, GLP, GNV, Di-Ester based lubricants, Oxygen, Water and Steam

\* Other applications, check compatibility



## Electrical Specifications

Products	Electrical Properties		
Code 1/4" BSP	Voltage	Wattage	Connection
26328	12 Vcc	25 Watts	Electric DIN 43650A
26329	24 Vcc	25 Watts	Electric DIN 43650A
26291	24 Vcc	25 Watts	Electric DIN 43650A with LED
26330	24 V 50/60 Hz	25 Watts	Electric DIN 43650A
26277	110/127 V 50/60 Hz	25 Watts	Electric DIN 43650A
26331	220/240 V 50/60 Hz	25 Watts	Electric DIN 43650A



## General Specifications

**Ways/ Position** 3 Universal Ways

**Connection** Female 1/4" BSP - Input / Output

**Orifice** Ø 3,5 mm - ( Kv 0,31 ) Flow factor.

**Seal** Fluorocarbon elastomer (Viton)

**Pressure Range** Min.0 PSI / Max.50 PSI

**Body** Brass (ASTM B16)

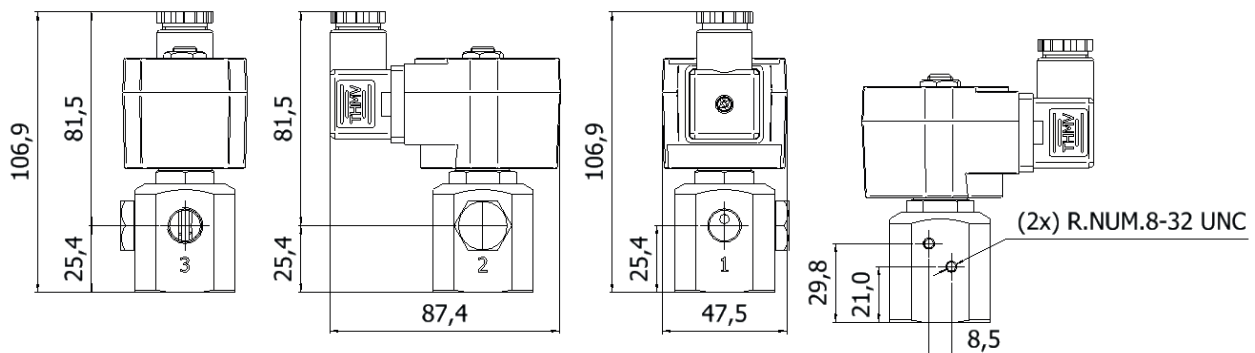
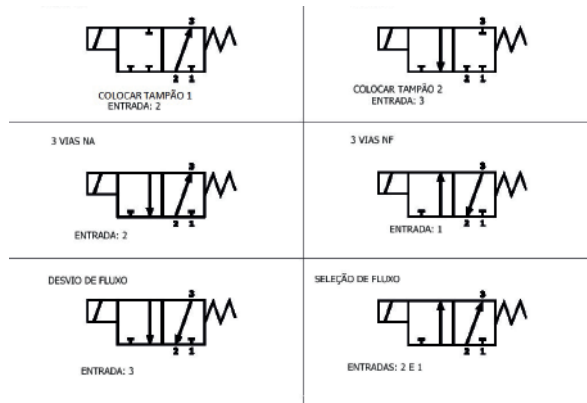
**Application** High temperature oils (100 a 150 °C), Silicone oil and greases, Air, GLP, GNV, Di-Ester based lubricants, Oxygen, Water and Steam

\* Other applications see compatibility



## Electrical Specifications

Products	Electrical Properties		
Code 1/4" BSP	Voltage	Wattage	Connection
26332	12 Vcc	25 Watts	Electric DIN 43650A
26333	24 Vcc	25 Watts	Electric DIN 43650A
26234	24 V 50/60 Hz	25 Watts	Electric DIN 43650A
26335	110/127 V 50/60 Hz	25 Watts	Electric DIN 43650A
26236	220/240 V 50/60 Hz	25 Watts	Electric DIN 43650A



## General Specifications

**Ways/ Position** 3 Universal Ways

**Connection** Female 1/4" BSP - Input / Output

**Orifice** Ø 4,0 mm - ( Kv 0,36 ) Flow factor.

**Seal** Fluorocarbon elastomer (Viton)

**Pressure Range** Min.0 PSI / Max.50 PSI

**Body** Brass (ASTM B16)

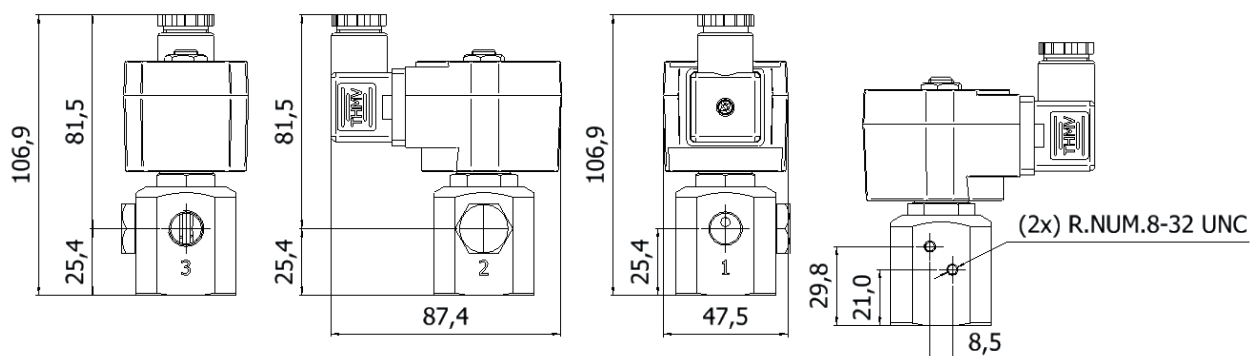
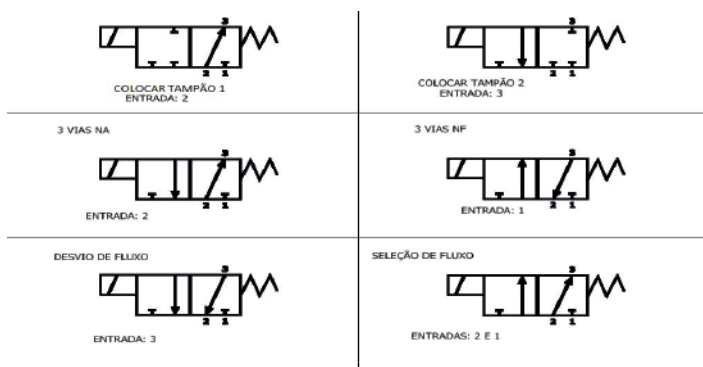
**Application** High temperature oils (100 a 150 °C), Silicone oil and greases, Air, GLP, GNV, Di-Ester based lubricants, Oxygen, Water and Steam

\* Other applications, check compatibility



## Electrical Specifications

Products	Electrical Properties		
Code 1/4" BSP	Voltage	Wattage	Connection
26337	12 Vcc	25 Watts	Electric DIN 43650A
26338	24 Vcc	25 Watts	Electric DIN 43650A
26239	24 V 50/60 Hz	25 Watts	Electric DIN 43650A
26340	110/127 V 50/60 Hz	25 Watts	Electric DIN 43650A
26241	220/240 V 50/60 Hz	25 Watts	Electric DIN 43650A



## General Specifications

**Ways/ Position** 3 Universal Ways

**Connection** Female 1/4" BSP - Input / Output

**Orifice** Ø 4,5 mm - ( Kv 0,42 ) Flow factor.

**Seal** Fluorocarbon elastomer (Viton)

**Pressure Range** Min.0 PSI / Max.50 PSI

**Body** Brass (ASTM B16)

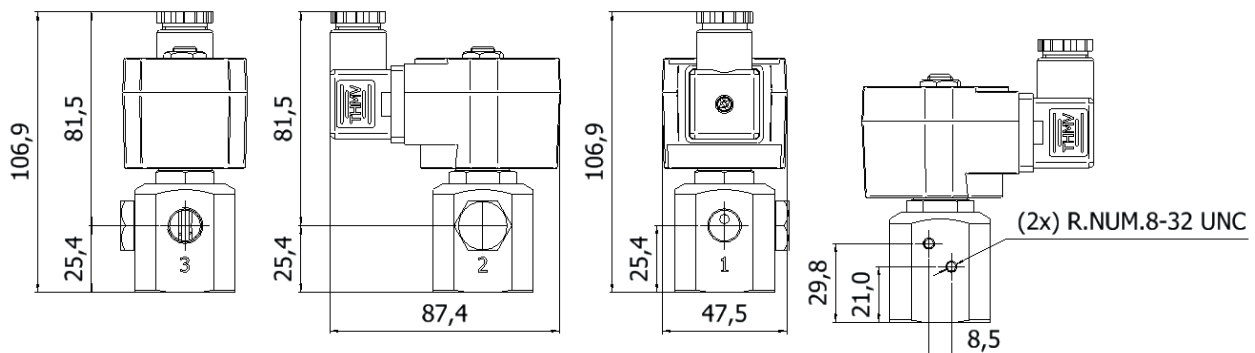
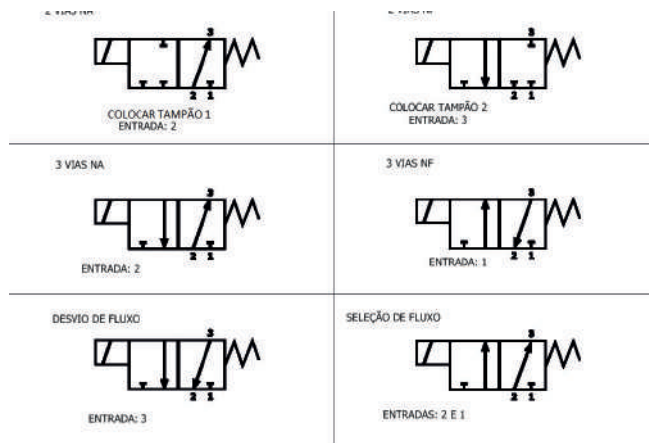
**Application** High temperature oils (100 a 150 °C), Silicone oil and greases, Air, GLP, GNV, Di-Ester based lubricants, Oxygen, Water and Steam

\* Other applications see compatibility



## Electrical Specifications

Products	Electrical Properties		
Code 1/4" BSP	Voltage	Wattage	Connection
26342	12 Vcc	25 Watts	Electric DIN 43650A
26343	24 Vcc	25 Watts	Electric DIN 43650A
26344	24 V 50/60 Hz	25 Watts	Electric DIN 43650A
26345	110/127 V 50/60 Hz	25 Watts	Electric DIN 43650A
26346	220/240 V 50/60 Hz	25 Watts	Electric DIN 43650A



## General Specifications

**Ways/ Position** 3 Universal Ways

**Connection** Female 1/4" BSP - Input / Output

**Orifice** Ø 1,0 mm - ( Kv 0,04 ) Flow factor.

**Seal** Fluorocarbon elastomer (Viton)

**Pressure Range** Min.0 PSI / Max.150 PSI

**Body** Brass (ASTM B16)

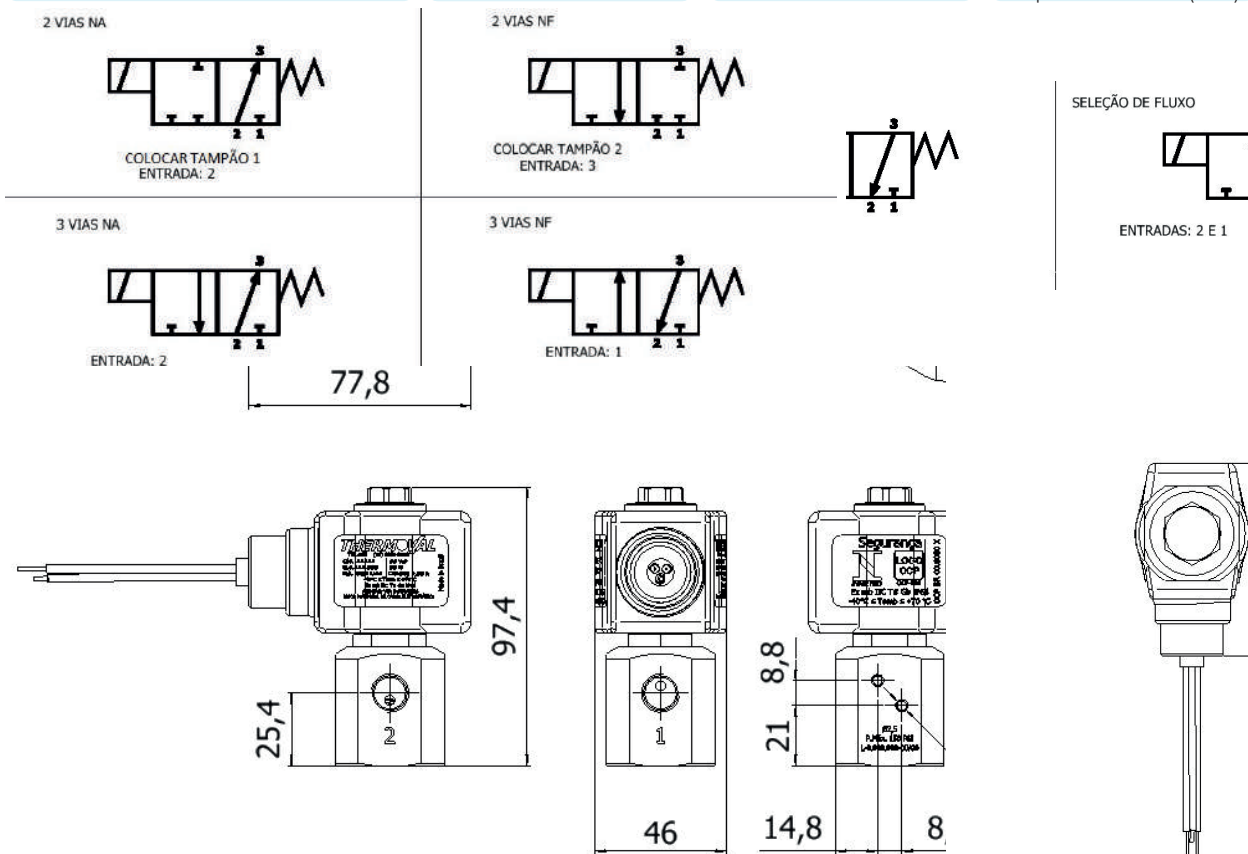
**Application** High temperature oils (100 a 150 °C), Silicone oil and greases, Air, GLP, GNV, Di-Ester based lubricants, Oxygen, Water and Steam

\* Other applications, check compatibility



## Electrical Specifications

Products	Electrical Properties		
Code 1/4" BSP	Voltage	Wattage	Connection
26347	12 Vcc	20 Watts	1/2" NPT with cable tin plated 150 + -10 (mm)
26348	24 Vcc	20 Watts	1/2" NPT with cable tin plated 150 + -10 (mm)
26349	24 V 50/60 Hz	20 Watts	1/2" NPT with cable tin plated 150 + -10 (mm)
26350	110/127 V 50/60 Hz	20 Watts	1/2" NPT with cable tin plated 150 + -10 (mm)
26351	220/240 V 50/60 Hz	20 Watts	1/2" NPT with cable tin plated 150 + -10 (mm)



## General Specifications

**Ways/ Position** 3 Universal Ways

**Connection** Female 1/4" BSP - Input / Output

**Orifice** Ø 2,0 mm - ( Kv 0,12 ) Flow factor.

**Seal** Fluorocarbon elastomer (Viton)

**Pressure Range** Min.0 PSI / Max.150 PSI

**Body** Brass (ASTM B16)

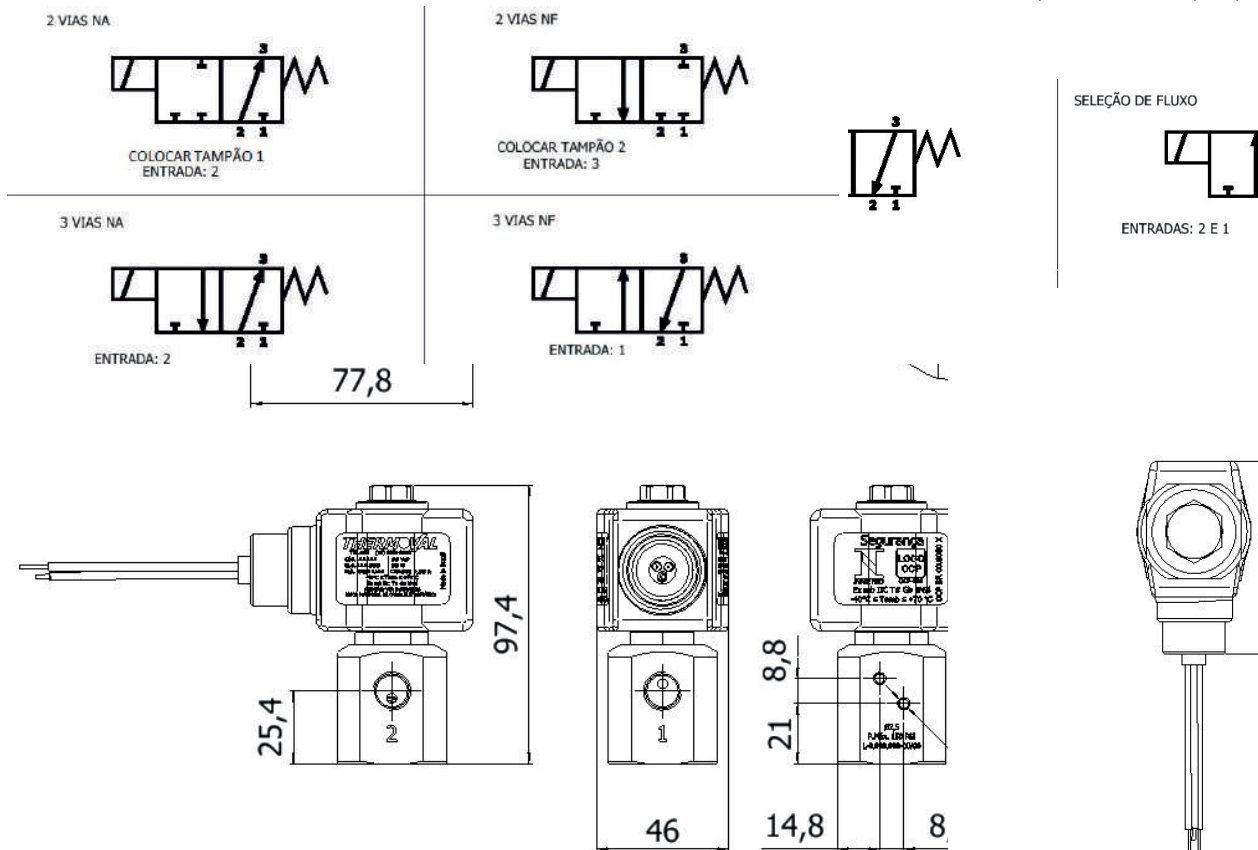
**Application** High temperature oils (100 a 150 °C), Silicone oil and greases, Air, GLP, GNV, Di-Ester based lubricants, Oxygen, Water and Steam

\* Other applications see compatibility



## Electrical Specifications

Products	Electrical Properties		
Code 1/4" BSP	Voltage	Wattage	Connection
25086	12 Vcc	20 Watts	1/2" NPT with cable tin plated 150 + -10 (mm)
26357	24 Vcc	20 Watts	1/2" NPT with cable tin plated 150 + -10 (mm)
25862	24 V 50/60 Hz	20 Watts	1/2" NPT with cable tin plated 150 + -10 (mm)
25863	110/127 V 50/60 Hz	20 Watts	1/2" NPT with cable tin plated 150 + -10 (mm)
25864	220/240 V 50/60 Hz	20 Watts	1/2" NPT with cable tin plated 150 + -10 (mm)



## General Specifications

**Ways/ Position** 3 Universal Ways

**Connection** Female 1/4" BSP - Input / Output

**Orifice** Ø 2,5 mm - ( Kv 0,18 ) Flow factor.

**Seal** Fluorocarbon elastomer (Viton)

**Pressure Range** Min.0 PSI / Max.150 PSI

**Body** Brass (ASTM B16)

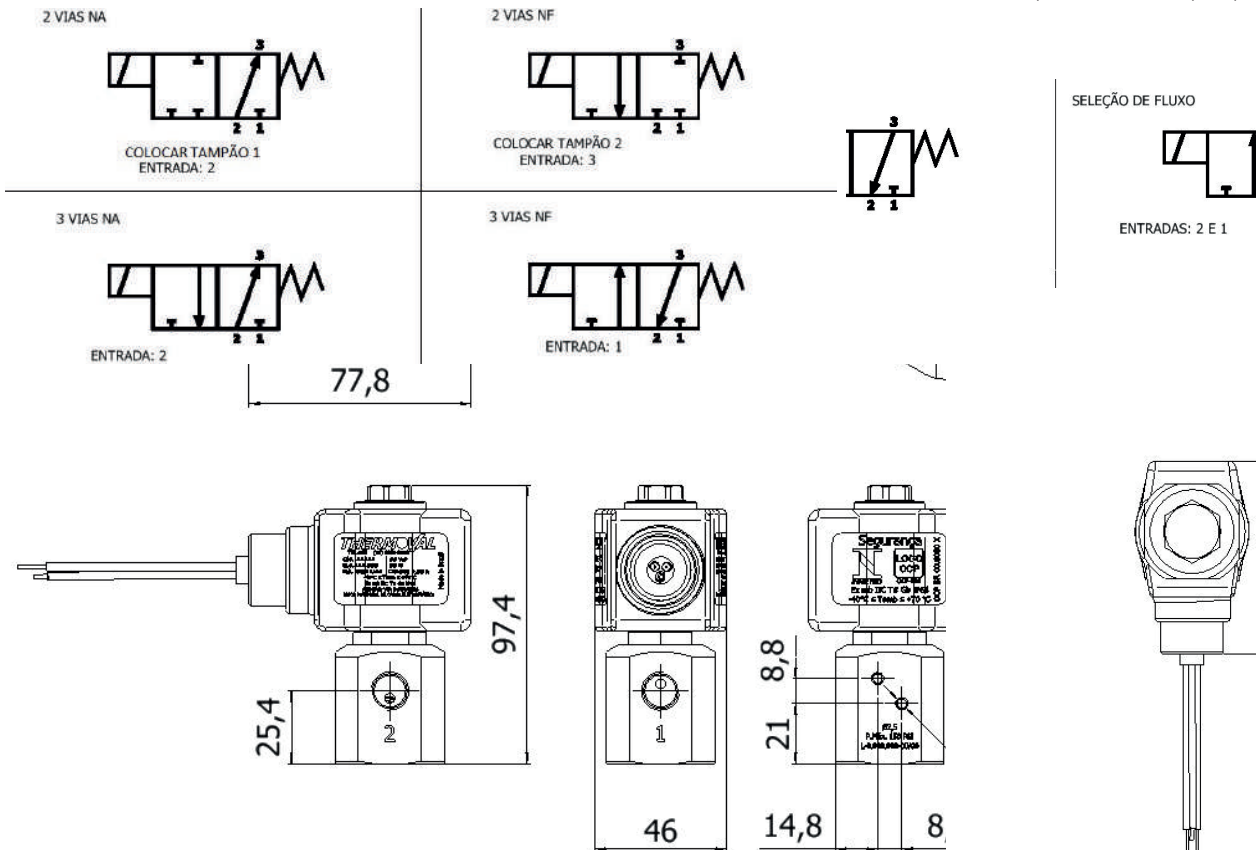
**Application** High temperature oils (100 a 150 °C), Silicone oil and greases, Air, GLP, GNV, Di-Ester based lubricants, Oxygen, Water and Steam

\* Other applications, check compatibility



## Electrical Specifications

Products	Electrical Properties		
Code 1/4" BSP	Voltage	Wattage	Connection
26358	12 Vcc	20 Watts	1/2" NPT with cable tin plated 150 + -10 (mm)
26359	24 Vcc	20 Watts	1/2" NPT with cable tin plated 150 + -10 (mm)
26360	24 V 50/60 Hz	20 Watts	1/2" NPT with cable tin plated 150 + -10 (mm)
26361	110/127 V 50/60 Hz	20 Watts	1/2" NPT with cable tin plated 150 + -10 (mm)
26362	220/240 V 50/60 Hz	20 Watts	1/2" NPT with cable tin plated 150 + -10 (mm)





## General Specifications

**Ways/ Position** 3 Universal Ways

**Connection** Female 1/4" BSP - Input / Output

**Orifice** Ø 3,0 mm - ( Kv 0,23 ) Flow factor.

**Seal** Fluorocarbon elastomer (Viton)

**Pressure Range** Min.0 PSI / Max.50 PSI

**Body** Brass (ASTM B16)

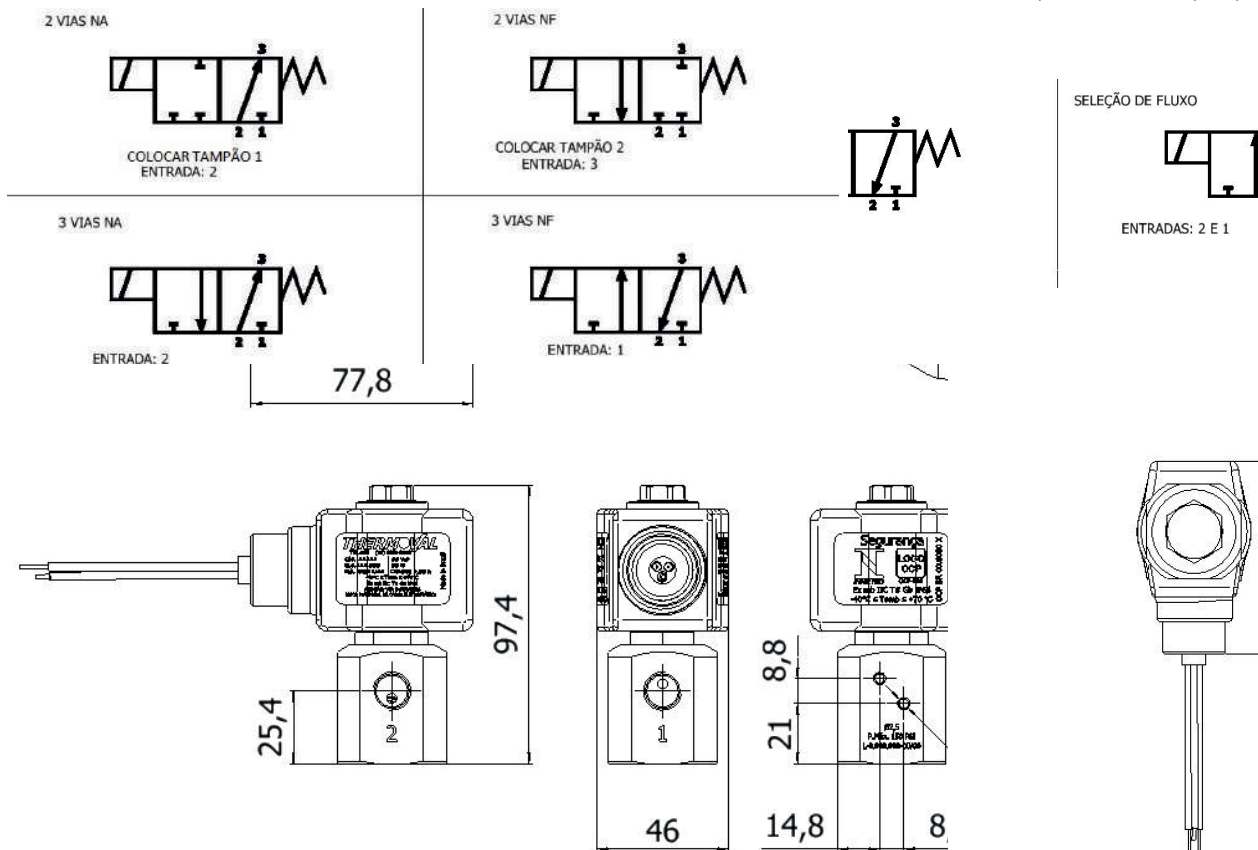
**Application** High temperature oils (100 a 150 °C), Silicone oil and greases, Air, GLP, GNV, Di-Ester based lubricants, Oxygen, Water and Steam

\* Other applications see compatibility



## Electrical Specifications

Products	Electrical Properties		
Code 1/4" BSP	Voltage	Wattage	Connection
26363	12 Vcc	20 Watts	1/2" NPT with cable tin plated 150 + -10 (mm)
26364	24 Vcc	20 Watts	1/2" NPT with cable tin plated 150 + -10 (mm)
26365	24 V 50/60 Hz	20 Watts	1/2" NPT with cable tin plated 150 + -10 (mm)
26366	110/127 V 50/60 Hz	20 Watts	1/2" NPT with cable tin plated 150 + -10 (mm)
26367	220/240 V 50/60 Hz	20 Watts	1/2" NPT with cable tin plated 150 + -10 (mm)



## General Specifications

**Ways/ Position** 3 Universal Ways

**Connection** Female 1/4" BSP - Input / Output

**Orifice** Ø 3,5 mm - ( Kv 0,31 ) Flow factor.

**Seal** Fluorocarbon elastomer (Viton)

**Pressure Range** Min.0 PSI / Max.50 PSI

**Body** Brass (ASTM B16)

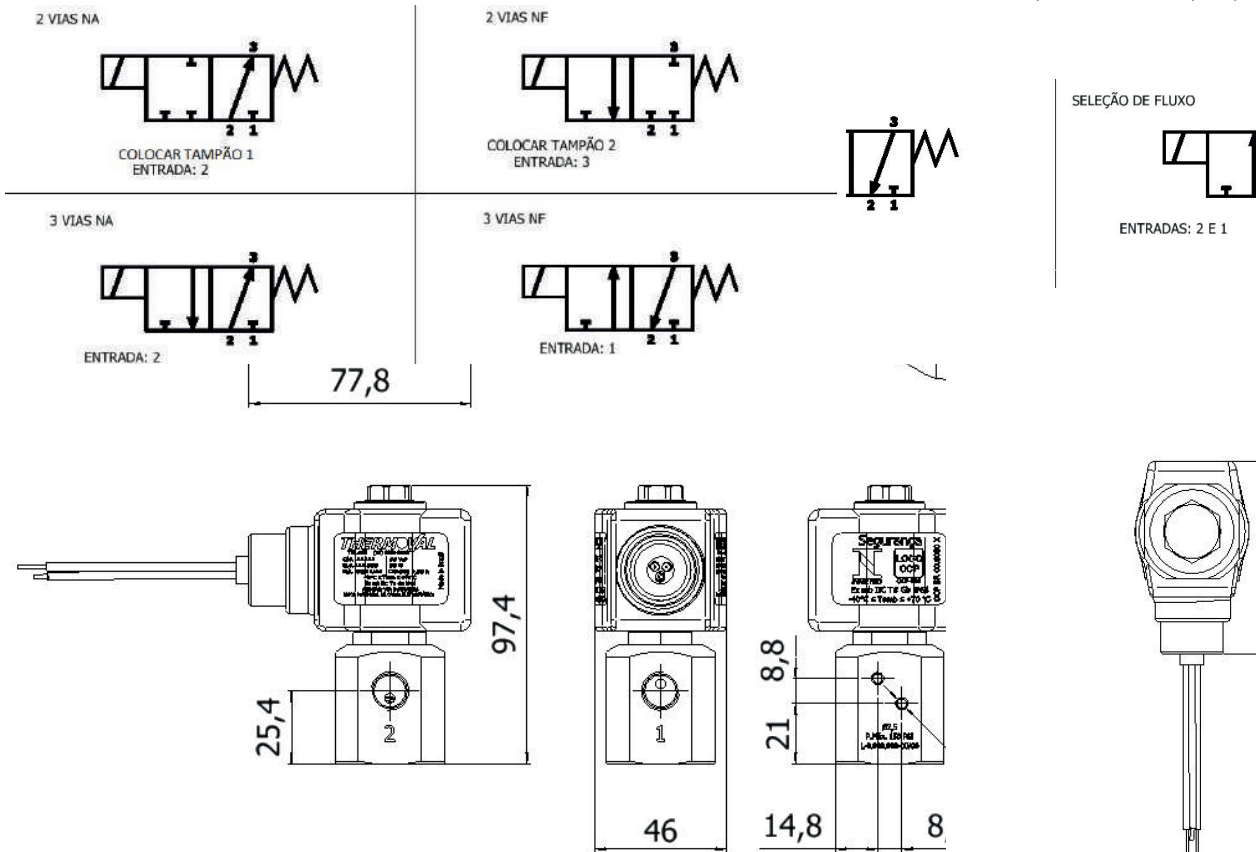
**Application** High temperature oils (100 a 150 °C), Silicone oil and greases, Air, GLP, GNV, Di-Ester based lubricants, Oxygen, Water and Steam

\* Other applications, check compatibility



## Electrical Specifications

Products	Electrical Properties		
Code 1/4" BSP	Voltage	Wattage	Connection
26368	12 Vcc	20 Watts	1/2" NPT with cable tin plated 150 + -10 (mm)
26369	24 Vcc	20 Watts	1/2" NPT with cable tin plated 150 + -10 (mm)
26370	24 V 50/60 Hz	20 Watts	1/2" NPT with cable tin plated 150 + -10 (mm)
26371	110/127 V 50/60 Hz	20 Watts	1/2" NPT with cable tin plated 150 + -10 (mm)
26372	220/240 V 50/60 Hz	20 Watts	1/2" NPT with cable tin plated 150 + -10 (mm)



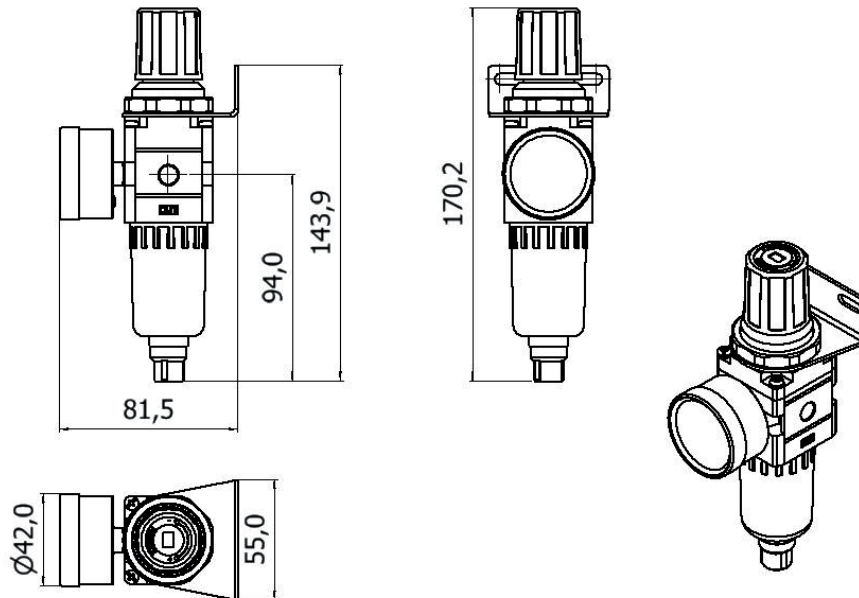
## General Specifications

Função	Air filter with regulator
Connection	Female 1/8" BSP (ISO 228/1) - INPUT and Exit Female with adapters for 1/8 NPT
Dreno	Semi-automático
Filtragem	25 microns/40 microns
Pressure Range	Min.7 PSI / Max.125 PSI
Body	Aluminum and Polycarbonate
Application	Air

\* Other applications see compatibility



## Especificações Electric



REV.00

## Opções de Produto

Code	Connection	Connection Manômetro	Vazão LPM	A (mm)	B (mm)	C (mm)	D (mm)	And (mm)
28630	1/8" BSP	1/8" NPT	500	164.5	78	40	40	34
28626	1/4" BSP	1/8" NPT	550	164.5	78	40	40	34
28628	3/8" BSP	1/8" NPT	2000	211	92.5	53	53	40
28627	1/2" BSP	1/4" NPT	4000	262	112	70	70	54
28629	3/4" BSP	1/4" NPT	4500	338	116	90	90	90

## General Specifications

**Ways/ Position** 3 Universal Ways

**Connection** Female 1/4" BSP - Input / Output

**Orifice** Ø 4,0 mm - ( Kv 0,36 ) Flow factor.

**Seal** Fluorocarbon elastomer (Viton)

**Pressure Range** Min.0 PSI / Max.50 PSI

**Body** Brass (ASTM B16)

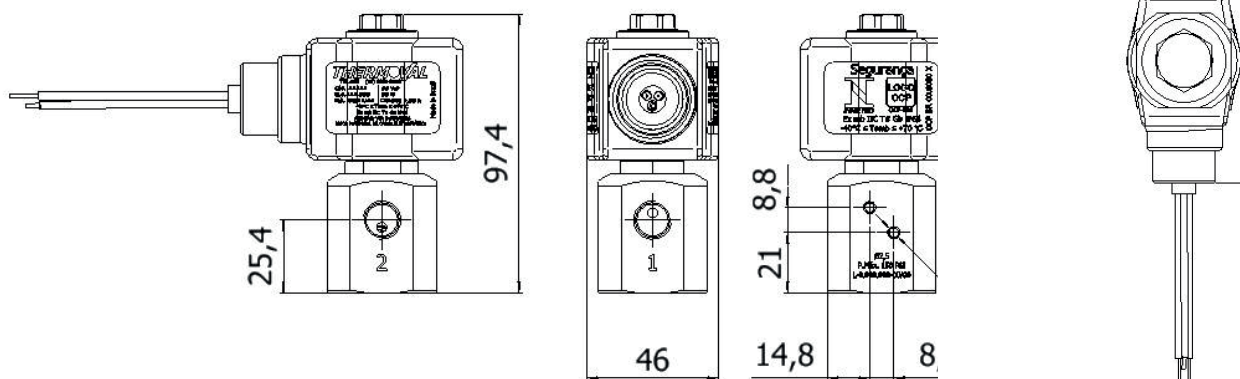
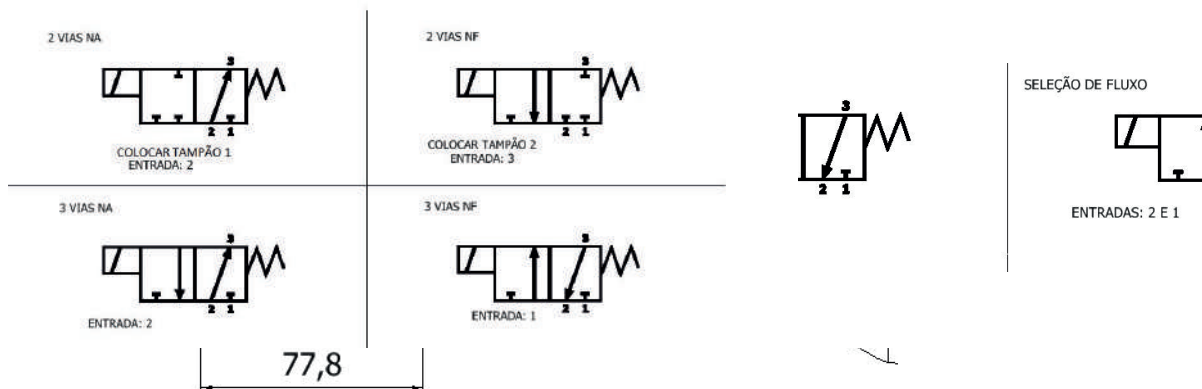
**Application** High temperature oils (100 a 150 °C), Silicone oil and greases, Air, GLP, GNV, Di-Ester based lubricants, Oxygen, Water and Steam

\* Other applications, check compatibility



## Electrical Specifications

Products	Electrical Properties		
Code 1/4" BSP	Voltage	Wattage	Connection
26373	12 Vcc	20 Watts	1/2" NPT with cable tin plated 150 + -10 (mm)
26374	24 Vcc	20 Watts	1/2" NPT with cable tin plated 150 + -10 (mm)
26375	24 V 50/60 Hz	20 Watts	1/2" NPT with cable tin plated 150 + -10 (mm)
26376	110/127 V 50/60 Hz	20 Watts	1/2" NPT with cable tin plated 150 + -10 (mm)
26377	220/240 V 50/60 Hz	20 Watts	1/2" NPT with cable tin plated 150 + -10 (mm)



## General Specifications

**Ways/ Position** 3 Universal Ways

**Connection** Female 1/4" BSP - Input / Output

**Orifice** Ø 4,5 mm - ( Kv 0,42 ) Flow factor.

**Seal** Fluorocarbon elastomer (Viton)

**Pressure Range** Min.0 PSI / Max.50 PSI

**Body** Brass (ASTM B16)

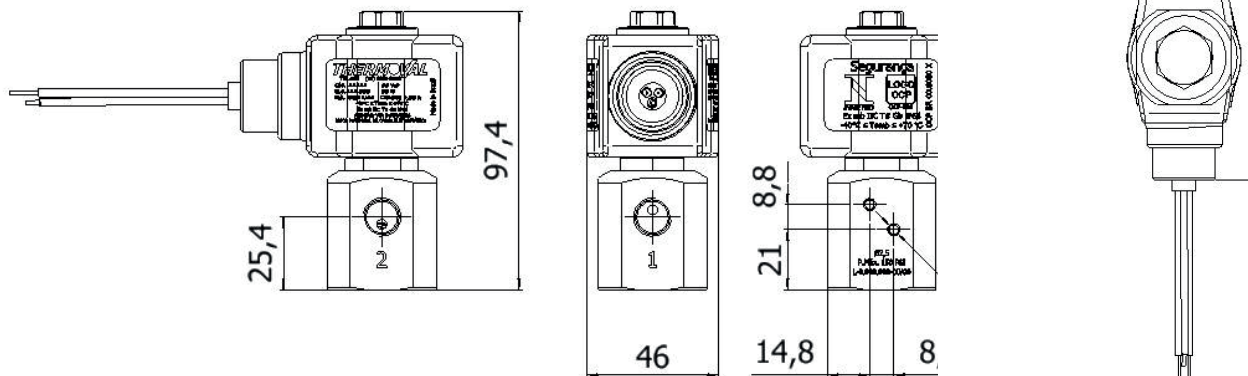
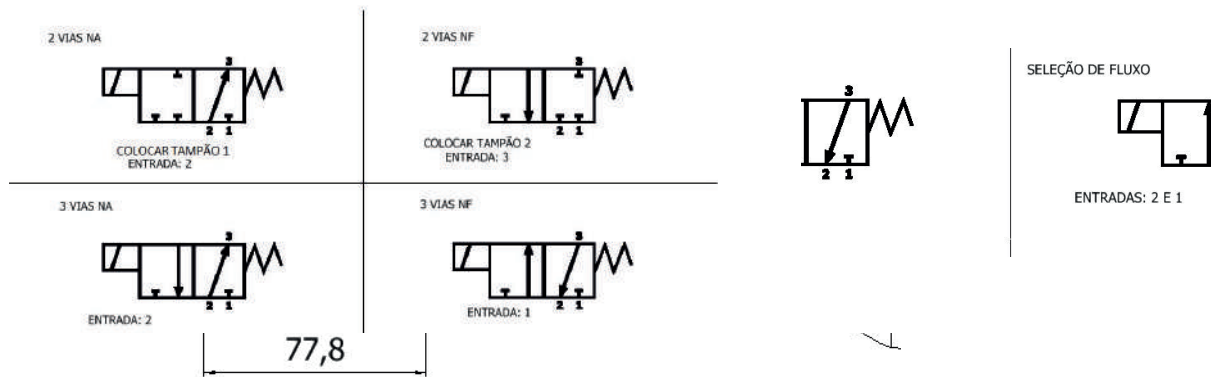
**Application** High temperature oils (100 a 150 °C), Silicone oil and greases, Air, GLP, GNV, Di-Ester based lubricants, Oxygen, Water and Steam

\* Other applications see compatibility



## Electrical Specifications

Products	Electrical Properties		
Code 1/4" BSP	Voltage	Wattage	Connection
26378	12 Vcc	20 Watts	1/2" NPT with cable tin plated 150 + -10 (mm)
26379	24 Vcc	20 Watts	1/2" NPT with cable tin plated 150 + -10 (mm)
26380	24 V 50/60 Hz	20 Watts	1/2" NPT with cable tin plated 150 + -10 (mm)
26381	110/127 V 50/60 Hz	20 Watts	1/2" NPT with cable tin plated 150 + -10 (mm)
26382	220/240 V 50/60 Hz	20 Watts	1/2" NPT with cable tin plated 150 + -10 (mm)



## General Specifications

**Ways/ Position** 3 Universal Ways

**Connection** Female 1/4" BSP - Input / Output

**Orifice** Ø 2,5 mm - ( Kv 0,18 ) Flow factor.

**Seal** Fluorocarbon elastomer (Viton)

**Pressure Range** Min.0 PSI / Max.150 PSI

**Body** Brass (ASTM B16)

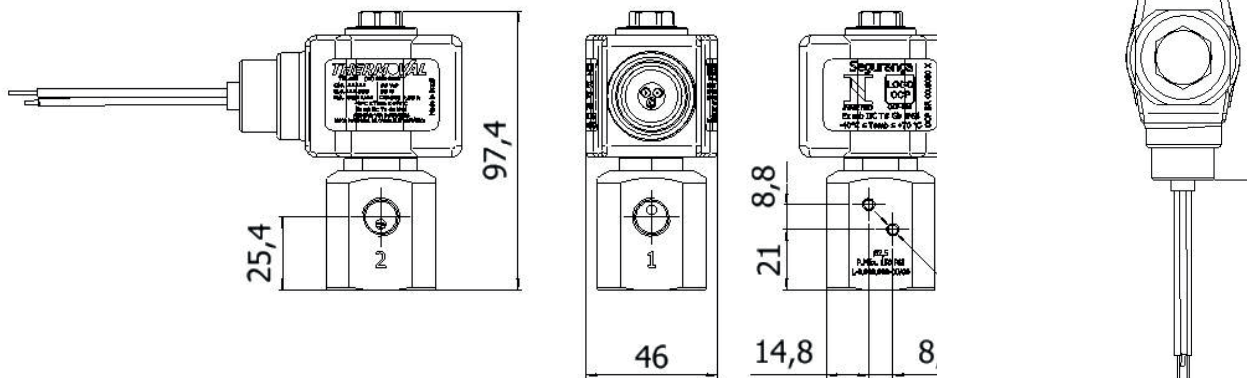
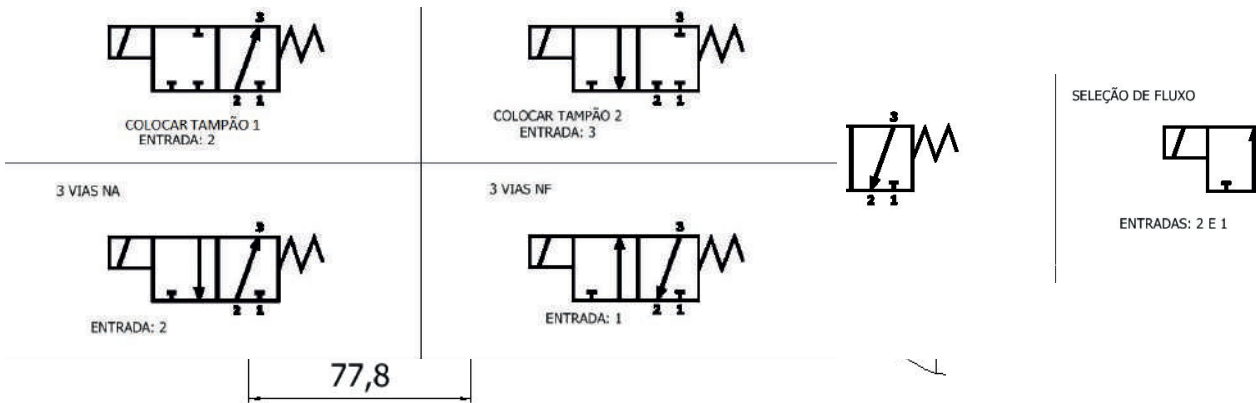
**Application** High temperature oils (100 a 150 °C), Silicone oil and greases, Air, GLP, GNV, Di-Ester based lubricants, Oxygen, Water and Steam

\* Other applications, check compatibility



## Electrical Specifications

Products	Electrical Properties		
Code 1/4" NPT	Voltage	Wattage	Connection
28094	12 Vcc	20 Watts	1/2" NPT with cable tin plated 150 + -10 (mm)
26662	24 Vcc	20 Watts	1/2" NPT with cable tin plated 150 + -10 (mm)
28093	24 V 50/60 Hz	20 Watts	1/2" NPT with cable tin plated 150 + -10 (mm)
26785	110/127 V 50/60 Hz	20 Watts	1/2" NPT with cable tin plated 150 + -10 (mm)
28095	220/240 V 50/60 Hz	20 Watts	1/2" NPT with cable tin plated 150 + -10 (mm)



## General Specifications

**Ways/ Position** 3 Universal Ways

**Connection** Female 1/4" BSP - Input / Output

**Orifice** Ø 2,5 mm - ( Kv 0,18 ) Flow factor.

**Seal** Fluorocarbon elastomer (Viton)

**Pressure Range** Min.0 PSI / Max.150 PSI

**Body** Brass (ASTM B16)

**Application** High temperature oils (100 a 150 °C), Silicone oil and greases, Air, GLP, GNV, Di-Ester based lubricants, Oxygen, Water and Steam

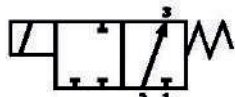
\* Other applications see compatibility



## Electrical Specifications

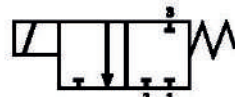
Products	Electrical Properties		
Code 1/4" BSP	Voltage	Wattage	Connection
28266	12 Vcc	25 Watts	Electric DIN 43650A
28267	24 Vcc	25 Watts	Electric DIN 43650A
28268	24 V 50/60 Hz	25 Watts	Electric DIN 43650A
26269	110/127 V 50/60 Hz	25 Watts	Electric DIN 43650A
28270	220/240 V 50/60 Hz	25 Watts	Electric DIN 43650A

2 VIAS NA

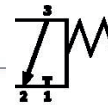


COLOCAR TAMPÃO 1  
ENTRADA: 2

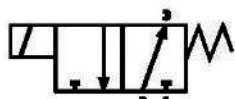
2 VIAS NF



COLOCAR TAMPÃO 2  
ENTRADA: 3

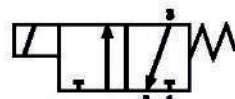


3 VIAS NA

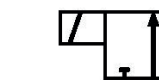


ENTRADA: 2

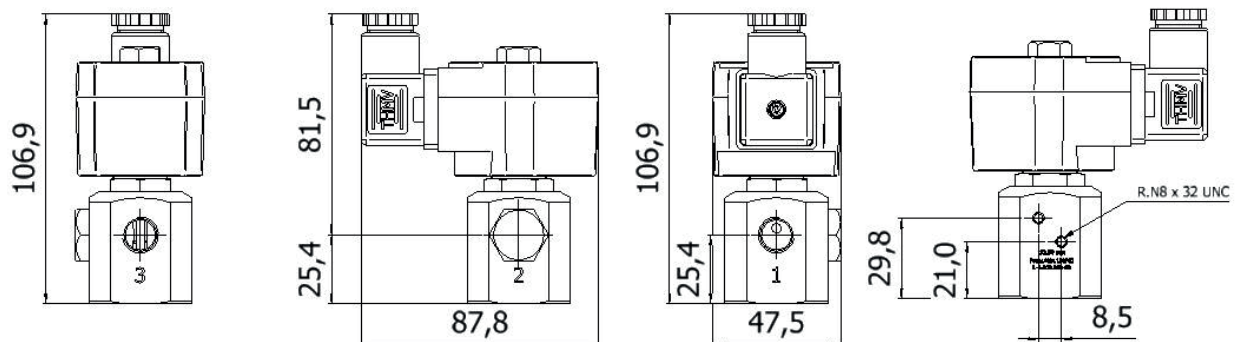
3 VIAS NF



ENTRADA: 1



ENTRADAS: 2 E 1



## General Specifications

**Ways/ Position** 3 Universal Ways

**Connection** Female 1/4" BSP - Input / Output

**Orifice** Ø 2,5 mm - ( Kv 0,18 ) Flow factor.

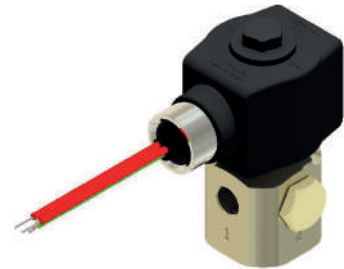
**Seal** Fluorocarbon elastomer (Viton)

**Pressure Range** Min.0 PSI / Max.150 PSI

**Body** Brass (ASTM B16)

**Application** High temperature oils (100 a 150 °C), Silicone oil and greases, Air, GLP, GNV, Di-Ester based lubricants, Oxygen, Water and Steam

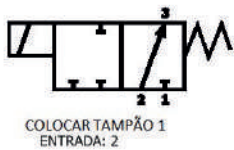
\* Other applications, check compatibility



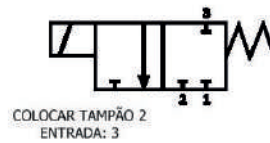
## Electrical Specifications

Products	Electrical Properties		
Code 1/4" NPT	Voltage	Wattage	Connection
28024	12 Vcc	25 Watts	1/2" NPT with cable tin plated 150 + -10 (mm)
28023	110/127 V 50/60 Hz	25 Watts	1/2" NPT with cable tin plated 150 + -10 (mm)

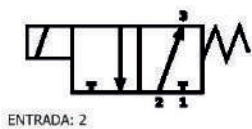
2 VIAS NA



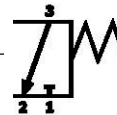
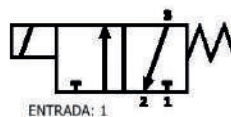
2 VIAS NF



3 VIAS NA



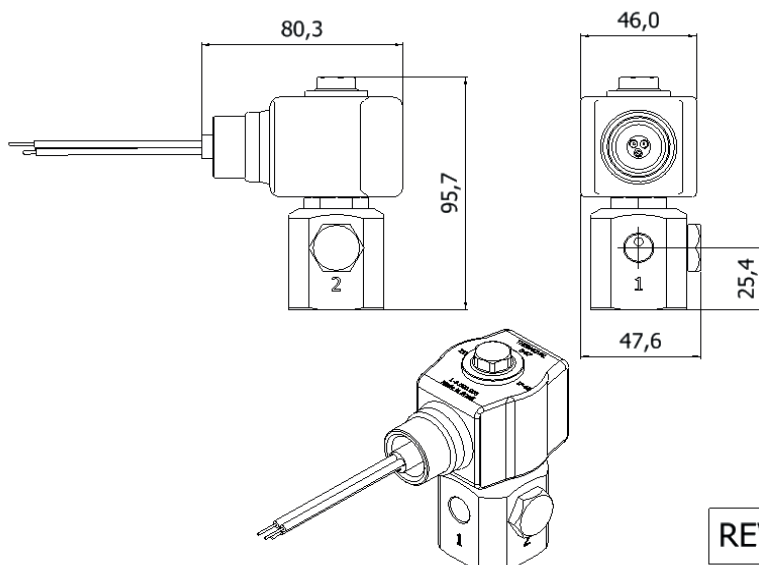
3 VIAS NF



SELEÇÃO DE FLUXO



ENTRADAS: 2 E



REV.00



## General Specifications

**Ways/ Position** 3 Universal Ways

**Connection** Female 1/8" NPT - Input / Output

**Orifice** Ø 2,5 mm - ( Kv 0,18 ) Flow factor.

**Seal** Fluorocarbon elastomer (Viton)

**Pressure Range** Min.0 PSI / Max.150 PSI

**Body** Brass (ASTM B16)

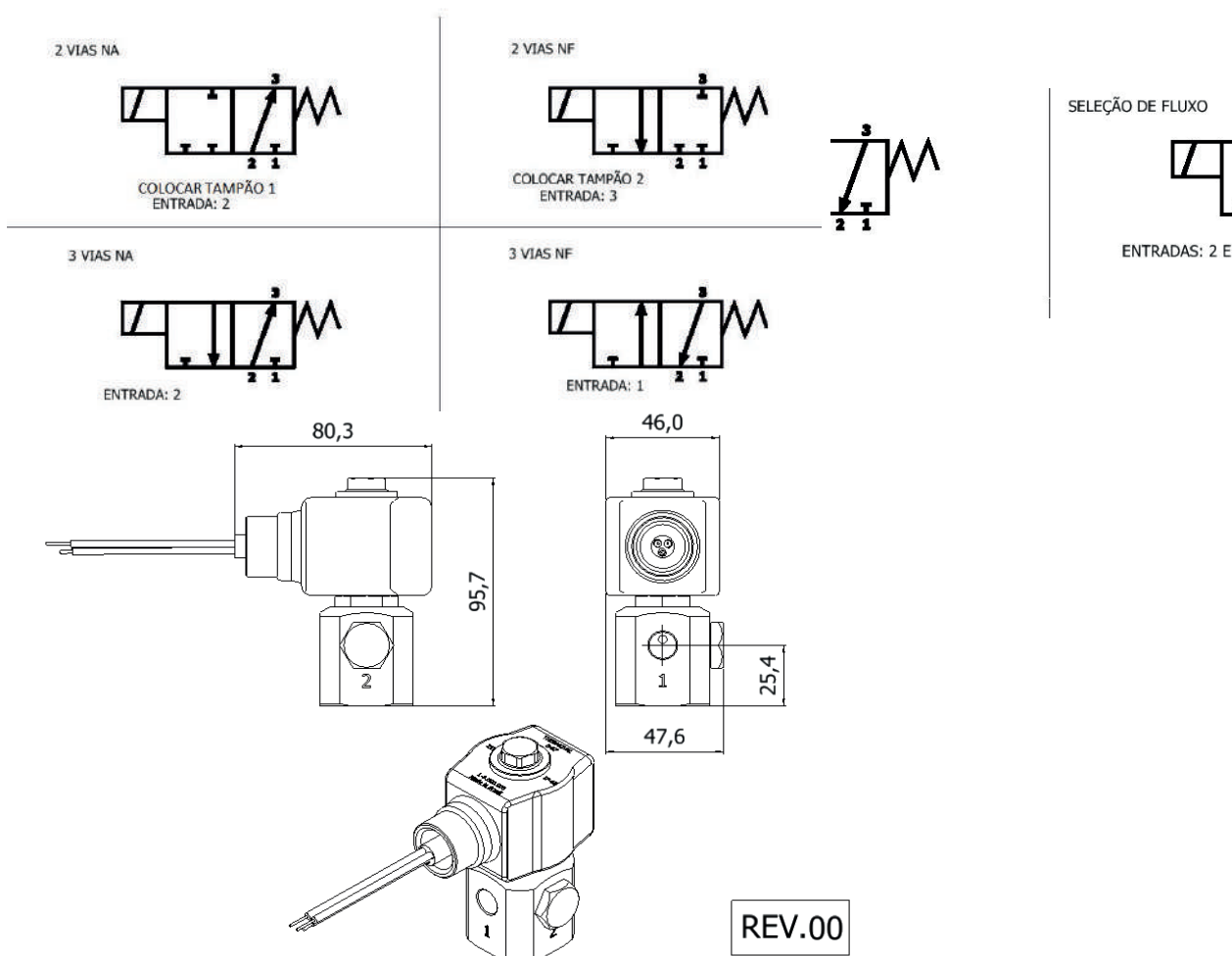
**Application** High temperature oils (100 a 150 °C), Silicone oil and greases, Air, GLP, GNV, Di-Ester based lubricants, Oxygen, Water and Steam

\* Other applications see compatibility



## Electrical Specifications

Products	Electrical Properties		
Code 1/4" NPT	Voltage	Wattage	Connection
28026	24 Vcc	25 Watts	1/2" NPT with cable tin plated 150 + -10 (mm)
28025	110/127 V 50/60 Hz	25 Watts	1/2" NPT with cable tin plated 150 + -10 (mm)



## General Specifications

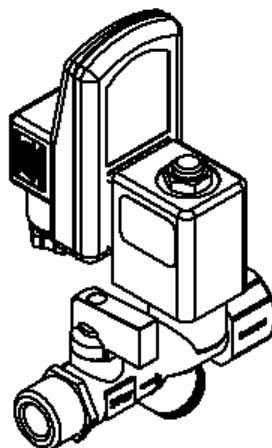
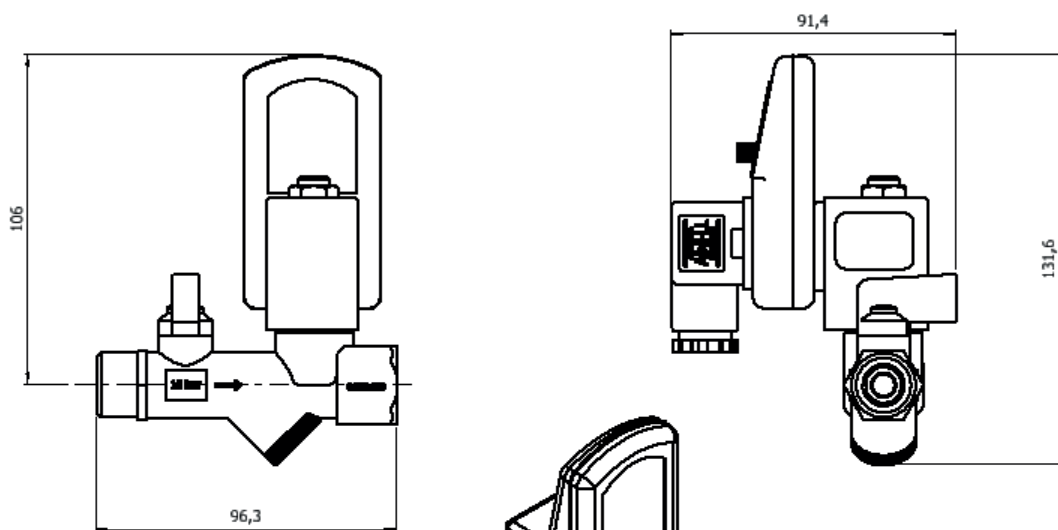
<b>Ways/ Position</b>	2 Vias Normally Closed with Timer (On:0,5 to 10 Seconds / Off: 0,5 to 45 Minutes)
<b>Connection</b>	Screw thread Male 1/2" BSP and Screw thread Female 1/4" BSP (ISO 228/1) INPUT. Screw thread Female 1/2" BSP (ISO 228/1) - Output.
<b>Orifice</b>	Ø 3,5 mm - ( Kv 0,31 ) Flow factor.
<b>Seal</b>	Fluorocarbon elastomer (Viton)
<b>Pressure Range</b>	Min.0 PSI / Max.240 PSI
<b>Body</b>	Brass (ASTM B16)
<b>Application</b>	High temperature oils (100 a 150 °C), Silicone oil and greases, Air, GLP, GNV, Di-Ester based lubricants, Oxygen, Water and Steam

\* Other applications, check compatibility

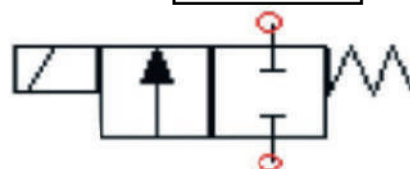


## Electrical Specifications

Products	Electrical Properties		
Code	Voltage	Wattage	Connection
21660	220/240 V 50/60 Hz	50 Watts	Electric DIN 43650A



REV.00



## General Specifications

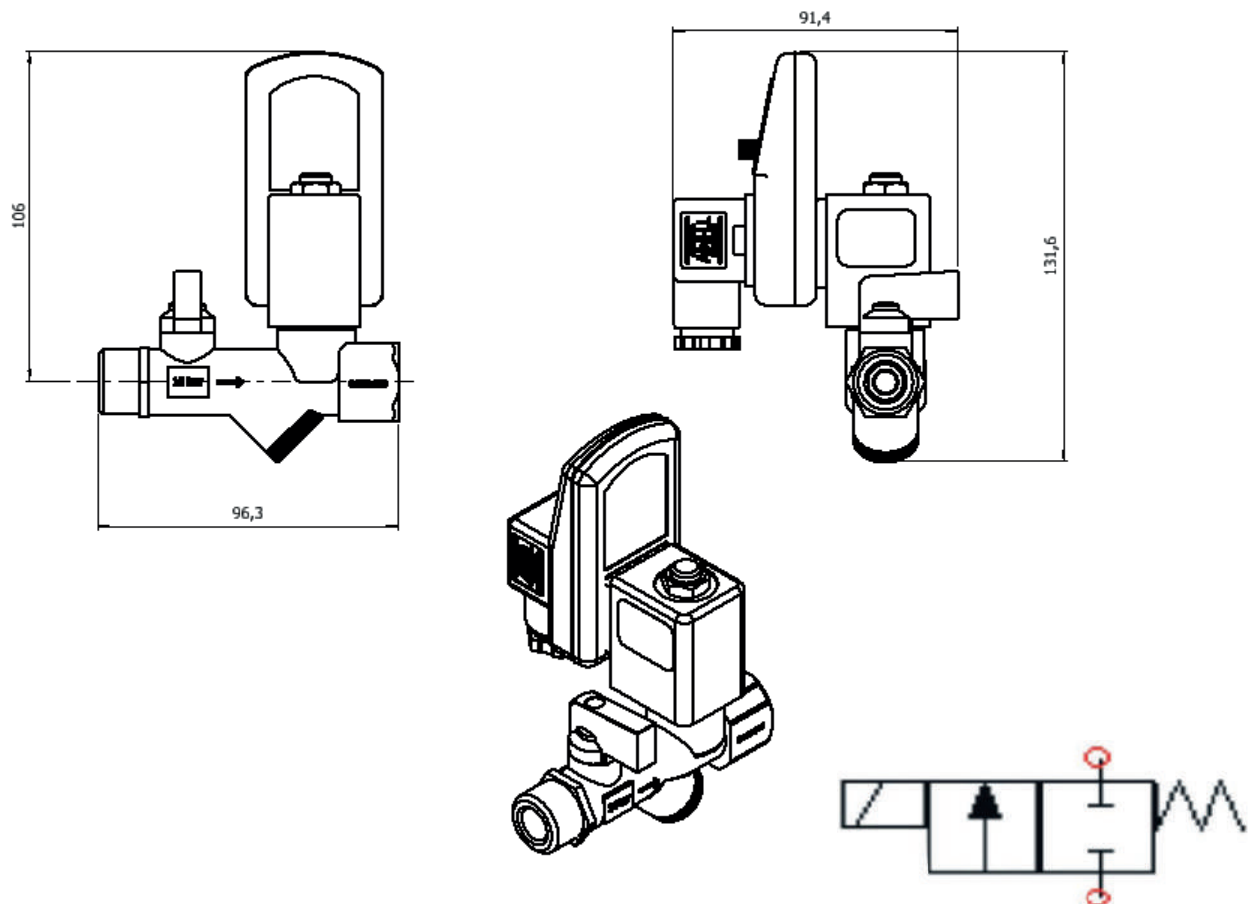
<b>Ways/ Position</b>	2 Vias Normally Closed with Timer (On:0,5 to 10 Seconds / Off: 0,5 to 45 Minutes)
<b>Connection</b>	Screw thread Male 3/8" BSP and Screw thread Female 1/4" BSP (ISO 228/1) INPUT. Screw thread Female 3/8" BSP (ISO 228/1) - Output.
<b>Orifice</b>	Ø 3,5 mm - ( Kv 0,31 ) Flow factor.
<b>Seal</b>	Fluorocarbon elastomer (Viton)
<b>Pressure Range</b>	Min.0 PSI / Max.240 PSI
<b>Body</b>	Brass (ASTM B16)
<b>Application</b>	Steam, Oil, Air

\* Other applications see compatibility



## Electrical Specifications

Product Options	Electrical Properties		
Code	Voltage	Wattage	Connection
28840	24 Vcc	20 Watts	Electric DIN 43650A
28841	110/127 V 50/60 Hz	20 Watts	Electric DIN 43650A
28839	220/240 V 50/60 Hz	20 Watts	Electric DIN 43650A



## General Specifications

**Ways/ Position** 2 Vias Normally Closed with Purger

**Connection** Screw thread Male 1/2" BSP and Screw thread Female 1/4" BSP (ISO 228/1) INPUT. Screw thread Female 1/2" BSP (ISO 228/1) - Output.

**Orifice** Ø 3,5 mm - ( Kv 0,31 ) Flow factor.

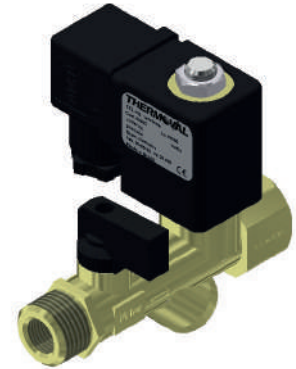
**Seal** Fluorocarbon elastomer (Viton)

**Pressure Range** Min.0 PSI / Max.240 PSI

**Body** Brass (ASTM B16)

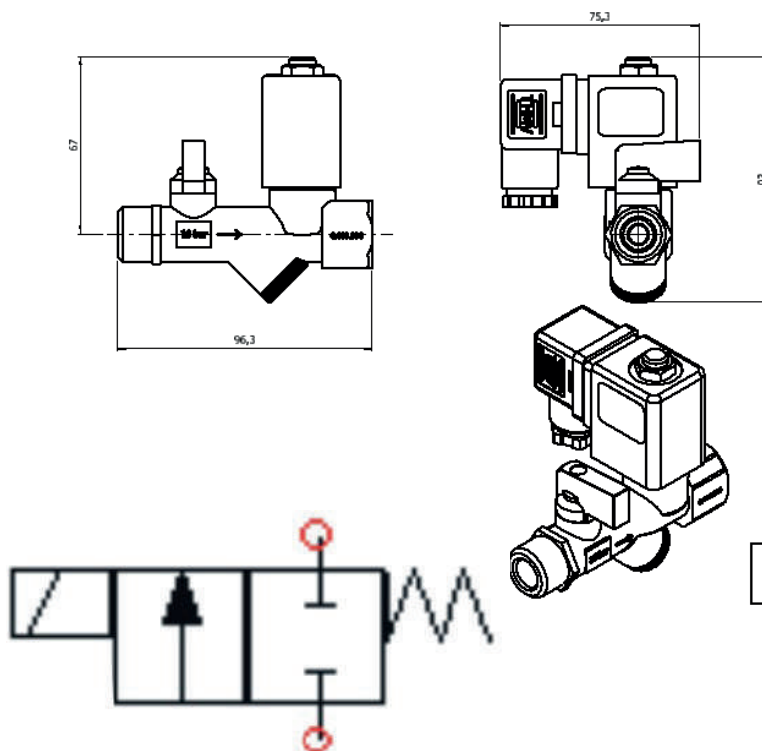
**Application** High temperature oils (100 a 150 °C), Silicone oil and greases, Air, GLP, GNV, Di-Ester based lubricants, Oxygen, Water and Steam

\* Other applications, check compatibility



## Electrical Specifications

Products	Electrical Properties		
Code	Voltage	Wattage	Connection
21652	220/240 V 50/60 Hz	50 Watts	Electric DIN 43650A



REV.00

## General Specifications

**Ways/ Position** 3 Vias NA ----> Closed when energized (MANUAL RESET).

**Connection** Female 1/4" NPT - Input / Output

**Orifice** Ø 2,0 mm - ( Kv 0,12 ) Flow factor.

**Seal** Fluorocarbon elastomer (Viton)

**Pressure Range** Min.0 PSI / Max.130 PSI

**Body** Brass (ASTM B16)

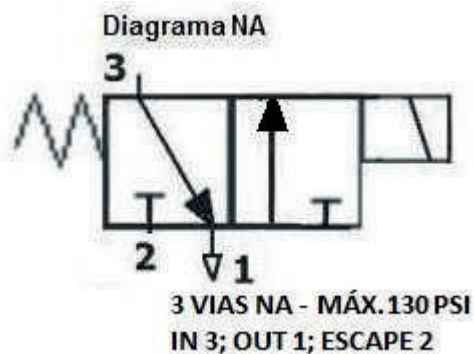
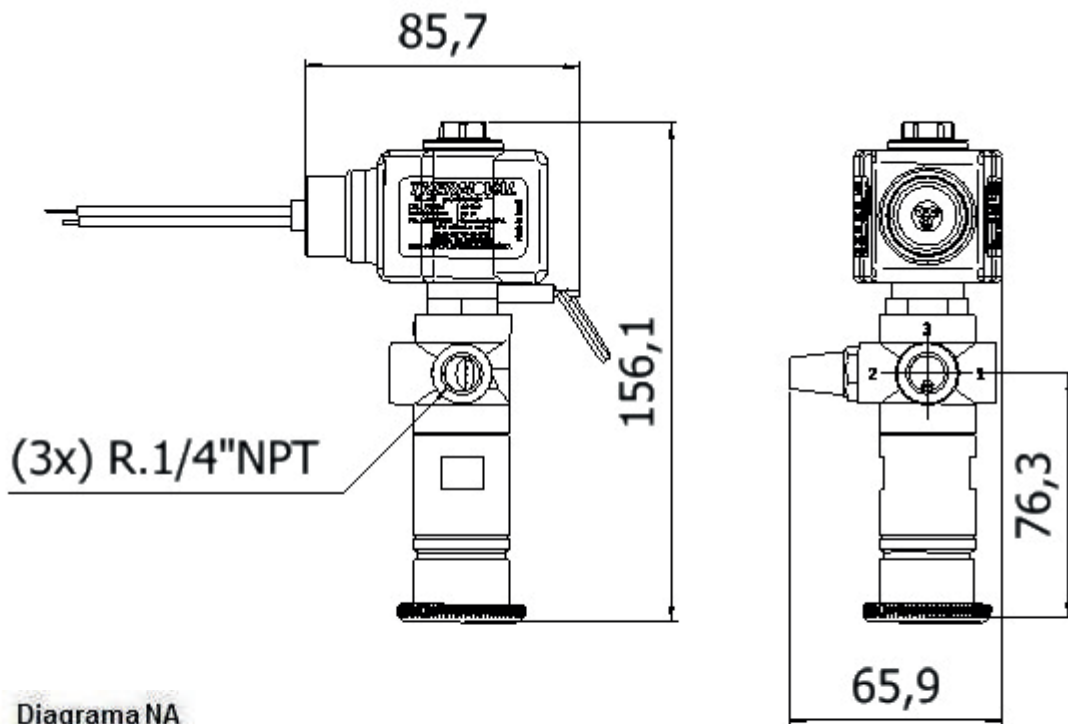
**Application** High temperature oils (100 a 150 °C), Silicone oil and greases, Air, GLP, GNV, Di-Ester based lubricants, Oxygen, Water and Steam

\* Other applications see compatibility



## Electrical Specifications

Products	Electrical Properties		
Code 1/4" NPT	Voltage	Wattage	Connection
26011	24 Vcc	20 Watts	1/2" NPT with cable tin plated 150 + -10 (mm)



## General Specifications

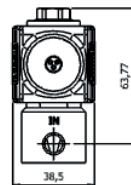
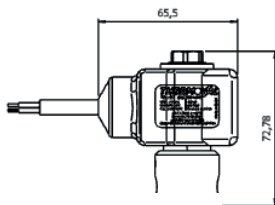
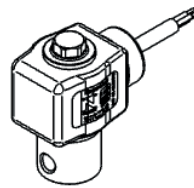
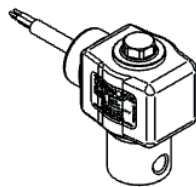
Ways/ Position	2/2- Vias Normally Closed - Direct Action
Connection	Female 1/8"NPT - Input / Output
Orifice	Ø5,5 mm - (KV 0,52) Flow factor
Seal	Seal - Polymer N 30000-7 B (Nitrile)
Pressure Range	Min.0 PSI / Max.100 PSI
Body	Stainless steel (ASI 303/304)
Application	Mineral oils, hydraulic fluids, LPG, NG, Air, and water

\* Other applications, check compatibility

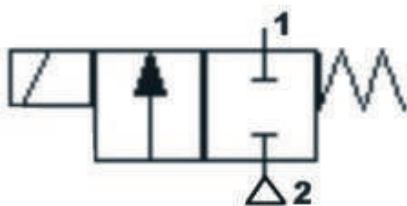


## Electrical Specifications

Products	Electrical Properties		
Code 1/8"NPT	Voltage	Wattage	Connection
25541	12 Vcc	20 Watts	Cabo Triplo
25542	24 Vcc	20 Watts	Cabo Triplo
25543	24 V 50/60 Hz	20 Watts	Cabo Triplo
25544	110/127 V 50/60 Hz	20 Watts	Cabo Triplo
25545	220/240 V 50/60 Hz	20 Watts	Cabo Triplo



REV.00



## General Specifications

**Ways/ Position** 2/2- Vias Normally Closed - Direct Action Diaphragm

**Connection** Female 3/8" BSP - Input / Output  
Female 1/2" BSP- Input / Output

**Orifice** Ø 16,0 mm - (Kv 4,65) Flow factor

**Seal** Fluorocarbon elastomer (Viton)

**Pressure Range** Min.0 PSI / Max.150 PSI

**Body**

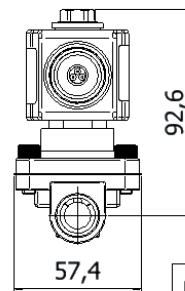
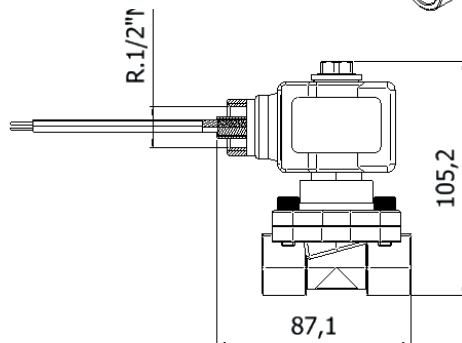
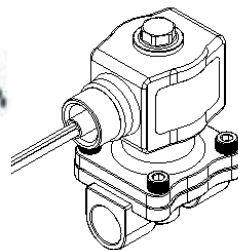
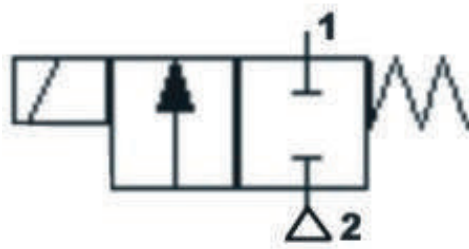
**Application** Silicone fluids, Air, Di-Ester based lubricants, LPG, Natural Gas, Cold Oxygen, H2O, Ethanol

\* Other applications see compatibility



## Electrical Specifications

Product Options		Electrical Properties		
Code 3/8" BSP	Code 1/2" BSP	Voltage	Wattage	Connection
23751	21680	12 Vcc	20 Watts	1/2" NPT with cable tin plated 150 + -10 (mm)
23752	22426	24 Vcc	20 Watts	1/2" NPT with cable tin plated 150 + -10 (mm)
23753	22429	24 V 50/60 Hz	20 Watts	1/2" NPT with cable tin plated 150 + -10 (mm)
23754	22432	110/127 V 50/60 Hz	20 Watts	1/2" NPT with cable tin plated 150 + -10 (mm)
23755	22435	220/240 V 50/60 Hz	20 Watts	1/2" NPT with cable tin plated 150 + -10 (mm)



REV.01

## General Specifications

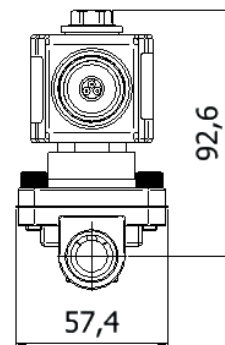
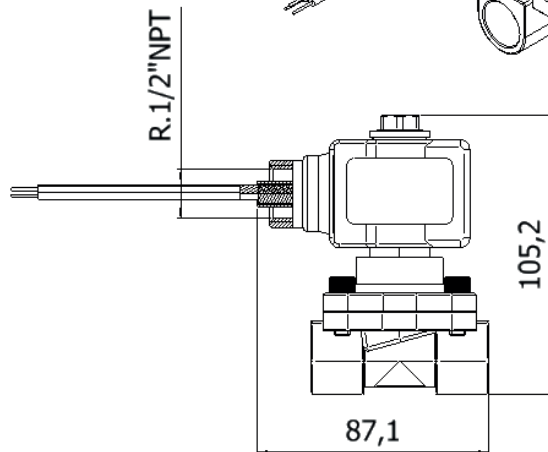
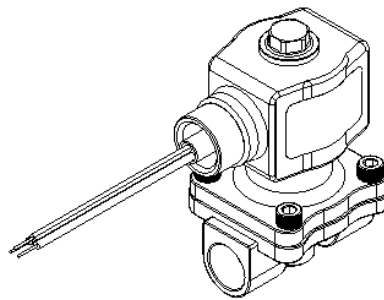
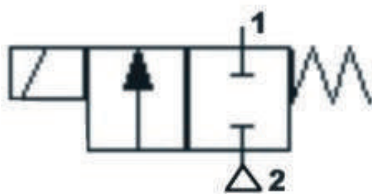
Ways/ Position	2/2- Vias Normally Closed - Direct Action Diaphragm
Connection	Female 3/8" BSP - Input / Output Female 1/2" BSP- Input / Output
Orifice	Ø 16,0 mm - (Kv 4,65) Flow factor
Seal	Fluorocarbon elastomer (Viton)
Pressure Range	Min.0 PSI / Max.150 PSI
Body	Aluminum (ASTM B211)
Application	Silicone fluids, Air, Di-Ester based lubricants, LPG, Natural Gas, Cold Oxygen, H2O, Ethanol

\* Other applications, check compatibility



## Especificações Electricas

Product Options		Electrical Properties		
Code 3/8" BSP	Code 1/2" BSP	Voltage	Wattage	Connection
23761	23766	12 Vcc	20 Watts	1/2" NPT with cable tin plated 150 + -10 (mm)
23762	23767	24 Vcc	20 Watts	1/2" NPT with cable tin plated 150 + -10 (mm)
23763	23768	24 V 50/60 Hz	20 Watts	1/2" NPT with cable tin plated 150 + -10 (mm)
23764	23769	110/127 V 50/60 Hz	20 Watts	1/2" NPT with cable tin plated 150 + -10 (mm)
23765	23770	220/240 V 50/60 Hz	20 Watts	1/2" NPT with cable tin plated 150 + -10 (mm)





## General Specifications

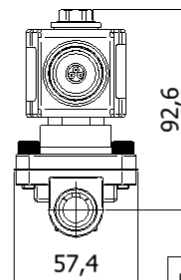
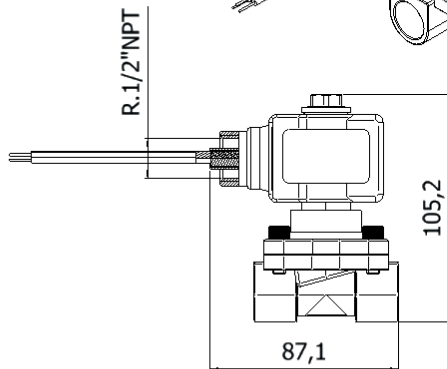
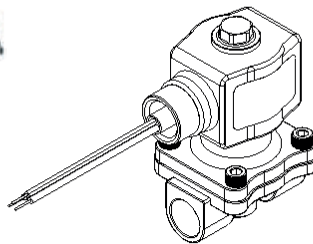
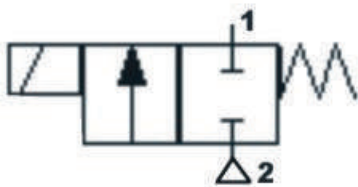
<b>Ways/ Position</b>	2/2- Vias Normally Closed - Direct Action Diaphragm
<b>Connection</b>	Female 3/8" BSP - Input / Output Female 1/2" BSP- Input / Output
<b>Orifice</b>	Ø 16,0 mm - (Kv 4,65) Flow factor
<b>Seal</b>	Fluorocarbon elastomer (Viton)
<b>Pressure Range</b>	Min.0 PSI / Max.150 PSI
<b>Body</b>	Aluminum (ASTM B211)
<b>Application</b>	Silicone fluids, Air, Di-Ester based lubricants, LPG, Natural Gas, Cold Oxygen, H2O, Ethanol

\* Other applications see compatibility



## Electrical Specifications

Product Options		Electrical Properties		
Code 3/8" BSP	Code 1/2" BSP	Voltage	Wattage	Connection
23776	23781	12 Vcc	20 Watts	1/2" NPT with cable tin plated 150 + -10 (mm)
23777	23782	24 Vcc	20 Watts	1/2" NPT with cable tin plated 150 + -10 (mm)
23778	23783	24 V 50/60 Hz	20 Watts	1/2" NPT with cable tin plated 150 + -10 (mm)
23779	23784	110/127 V 50/60 Hz	20 Watts	1/2" NPT with cable tin plated 150 + -10 (mm)
23780	23785	220/240 V 50/60 Hz	20 Watts	1/2" NPT with cable tin plated 150 + -10 (mm)



REV.01

## General Specifications

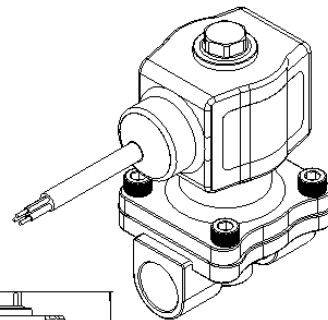
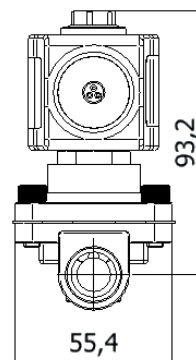
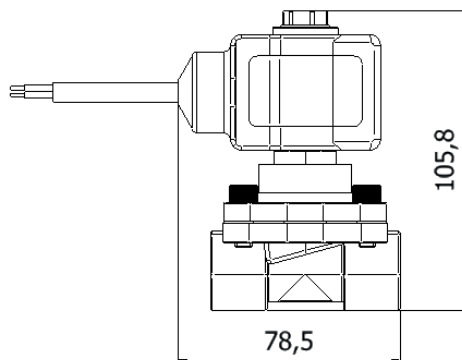
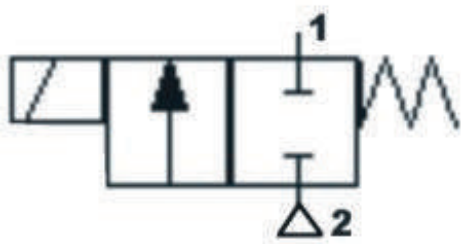
<b>Ways/ Position</b>	2/2- Vias Normally Closed - Direct Action Diaphragm
<b>Connection</b>	Female 3/8" BSP - Input / Output Female 1/2" BSP- Input / Output
<b>Orifice</b>	Ø 16,0 mm - (Kv 4,65) Flow factor
<b>Seal</b>	Fluorocarbon elastomer (Viton)
<b>Pressure Range</b>	Min.0 PSI / Max.150 PSI
<b>Body</b>	Brass (ASTM B16)
<b>Application</b>	Silicone fluids, Air, Di-Ester based lubricants, LPG, Natural Gas, Cold Oxygen, H2O, Ethanol

\* Other applications, check compatibility



## Electrical Specifications

Product Options		Electrical Properties		
Code 3/8" BSP	Code 1/2" BSP	Voltage	Wattage	Connection
23791	21760	12 Vcc	20 Watts	Tinned cable 150 + -10 (mm)
23792	22438	24 Vcc	20 Watts	Tinned cable 150 + -10 (mm)
23793	22441	24 V 50/60 Hz	20 Watts	Tinned cable 150 + -10 (mm)
23794	22444	110/127 V 50/60 Hz	20 Watts	Tinned cable 150 + -10 (mm)
23795	22447	220/240 V 50/60 Hz	20 Watts	Tinned cable 150 + -10 (mm)



REV.00

## General Specifications

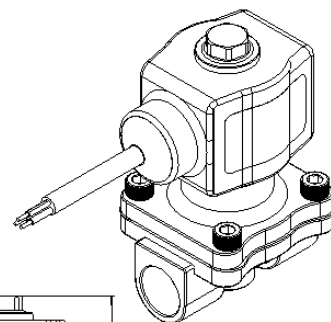
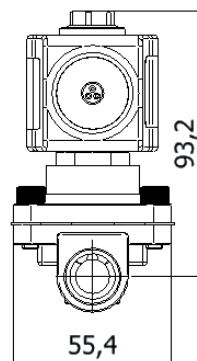
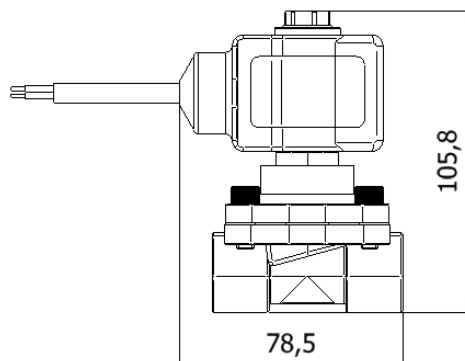
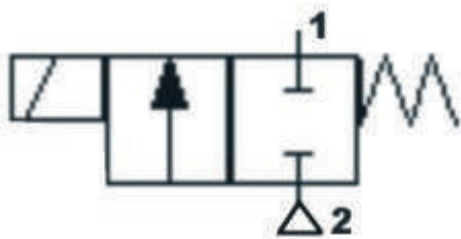
<b>Ways/ Position</b>	2/2- Vias Normally Closed - Direct Action Diaphragm
<b>Connection</b>	Female 3/8" BSP - Input / Output Female 1/2" BSP- Input / Output
<b>Orifice</b>	Ø 16,0 mm - (Kv 4,65) Flow factor
<b>Seal</b>	Fluorocarbon elastomer (Viton)
<b>Pressure Range</b>	Min.0 PSI / Max.150 PSI
<b>Body</b>	Aluminum (ASTM B211)
<b>Application</b>	Silicone fluids, Air, Di-Ester based lubricants, LPG, Natural Gas, Cold Oxygen, H2O, Ethanol

\* Other applications see compatibility



## Electrical Specifications

Product Options		Electrical Properties		
Code 3/8" BSP	Code 1/2" BSP	Voltage	Wattage	Connection
23801	21806	12 Vcc	20 Watts	Tinned cable 150 + -10 (mm)
23802	22807	24 Vcc	20 Watts	Tinned cable 150 + -10 (mm)
23803	22808	24 V 50/60 Hz	20 Watts	Tinned cable 150 + -10 (mm)
23804	22809	110/127 V 50/60 Hz	20 Watts	Tinned cable 150 + -10 (mm)
23805	22810	220/240 V 50/60 Hz	20 Watts	Tinned cable 150 + -10 (mm)



REV.00

## General Specifications

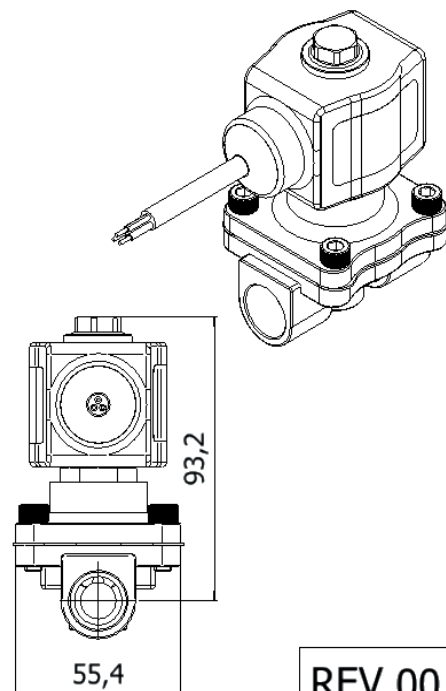
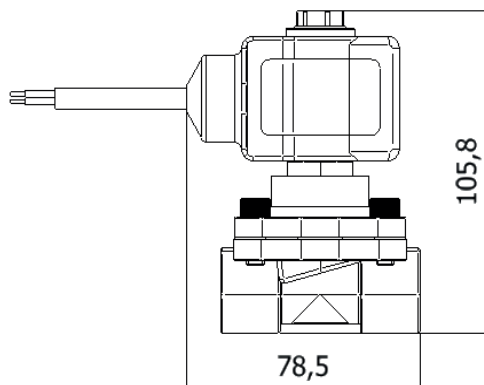
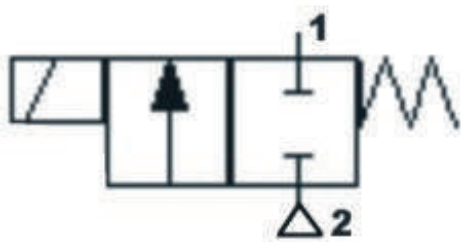
<b>Ways/ Position</b>	2/2- Vias Normally Closed - Direct Action Diaphragm
<b>Connection</b>	Female 3/8" BSP - Input / Output Female 1/2" BSP- Input / Output
<b>Orifice</b>	Ø 16,0 mm - (Kv 4,65) Flow factor
<b>Seal</b>	Fluorocarbon elastomer (Viton)
<b>Pressure Range</b>	Min.0 PSI / Max.150 PSI
<b>Body</b>	Stainless steel (AISI 316)
<b>Application</b>	Silicone fluids, Air, Di-Ester based lubricants, LPG, Natural Gas, Cold Oxygen, H2O, Ethanol

\* Other applications, check compatibility



## Electrical Specifications

Product Options		Electrical Properties		
Code 3/8" BSP	Code 1/2" BSP	Voltage	Wattage	Connection
23816	21821	12 Vcc	20 Watts	Tinned cable 150 + -10 (mm)
23817	22822	24 Vcc	20 Watts	Tinned cable 150 + -10 (mm)
23818	22823	24 V 50/60 Hz	20 Watts	Tinned cable 150 + -10 (mm)
23819	22824	110/127 V 50/60 Hz	20 Watts	Tinned cable 150 + -10 (mm)
23820	22825	220/240 V 50/60 Hz	20 Watts	Tinned cable 150 + -10 (mm)



REV.00

## General Specifications

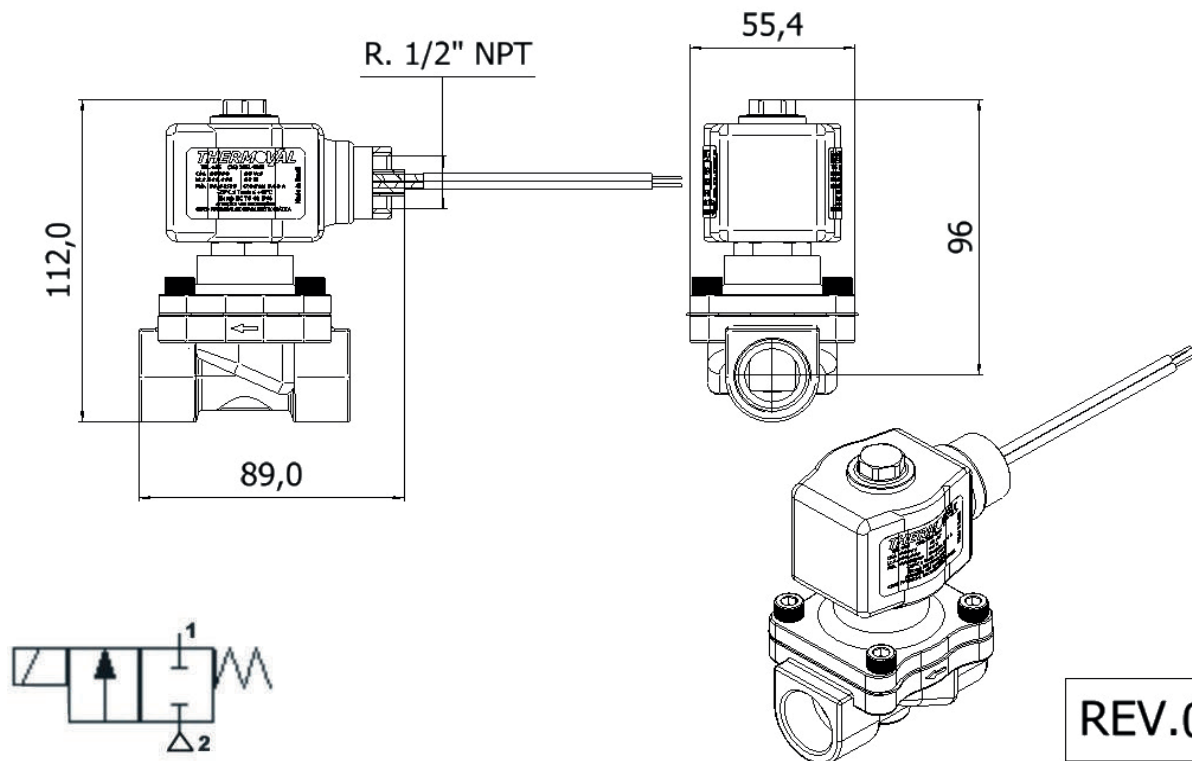
<b>Ways/ Position</b>	2/2- Vias Normally Closed - Direct Action Diaphragm
<b>Connection</b>	Female 3/4" BSP - Input / Output
<b>Orifice</b>	Ø 20,0 mm - (Kv 8,00) Flow factor
<b>Seal</b>	Fluorocarbon elastomer (Viton)
<b>Pressure Range</b>	Min.0 PSI / Max.150 PSI
<b>Body</b>	Brass (ASTM B16)
<b>Application</b>	Silicone fluids, Air, Di-Ester based lubricants, LPG, Natural Gas, Cold Oxygen, H2O, Ethanol

\* Other applications see compatibility



## Electrical Specifications

Product Options	Electrical Properties		
Code 3/8" BSP	Voltage	Wattage	Connection
23756	12 Vcc	20 Watts	1/2" NPT with cable tin plated 150 + -10 (mm)
23757	24 Vcc	20 Watts	1/2" NPT with cable tin plated 150 + -10 (mm)
23758	24 V 50/60 Hz	20 Watts	1/2" NPT with cable tin plated 150 + -10 (mm)
23759	110/127 V 50/60 Hz	20 Watts	1/2" NPT with cable tin plated 150 + -10 (mm)
23760	220/240 V 50/60 Hz	20 Watts	1/2" NPT with cable tin plated 150 + -10 (mm)



REV.00

## General Specifications

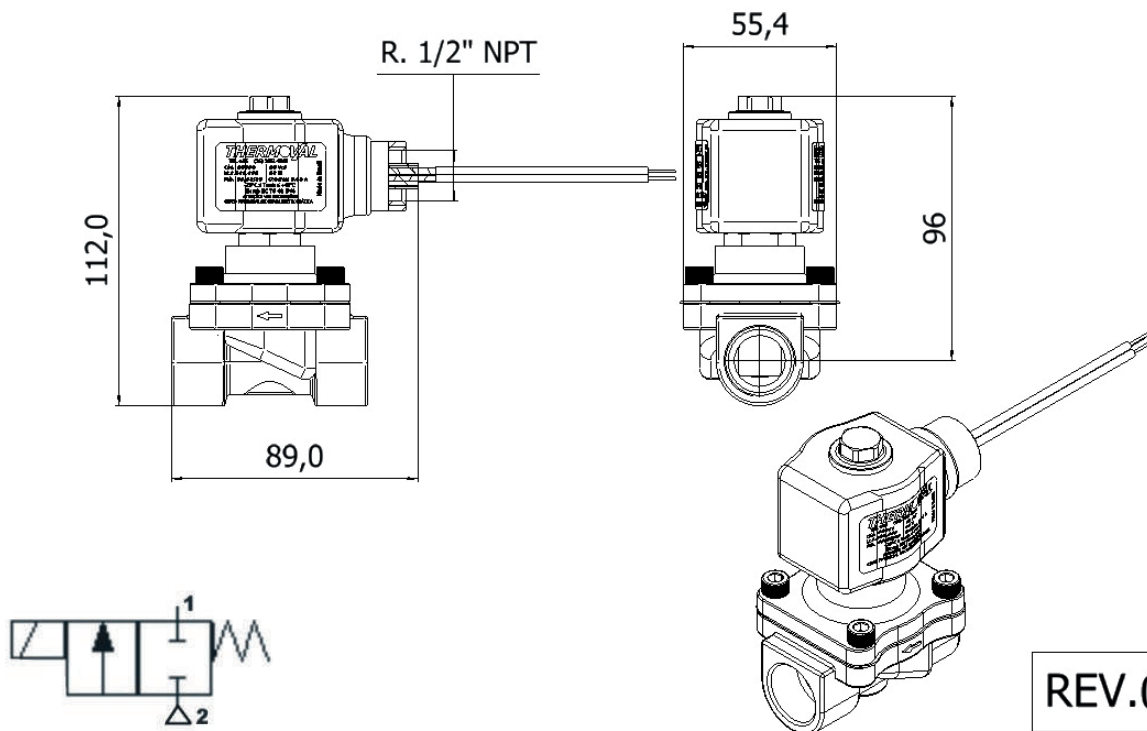
<b>Ways/ Position</b>	2/2- Vias Normally Closed - Direct Action Diaphragm
<b>Connection</b>	Female 3/4" BSP - Input / Output
<b>Orifice</b>	Ø 20,0 mm - (Kv 8,00) Flow factor
<b>Seal</b>	Fluorocarbon elastomer (Viton)
<b>Pressure Range</b>	Min.0 PSI / Max.150 PSI
<b>Body</b>	Aluminum (ASTM B211)
<b>Application</b>	Silicone fluids, Air, Di-Ester based lubricants, LPG, Natural Gas, Cold Oxygen, H2O, Ethanol

\* Other applications, check compatibility



## Electrical Specifications

Product Options	Electrical Properties		
Code 3/8" BSP	Voltage	Wattage	Connection
23771	12 Vcc	20 Watts	1/2" NPT with cable tin plated 150 + -10 (mm)
23772	24 Vcc	20 Watts	1/2" NPT with cable tin plated 150 + -10 (mm)
23773	24 V 50/60 Hz	20 Watts	1/2" NPT with cable tin plated 150 + -10 (mm)
23774	110/127 V 50/60 Hz	20 Watts	1/2" NPT with cable tin plated 150 + -10 (mm)
23775	220/240 V 50/60 Hz	20 Watts	1/2" NPT with cable tin plated 150 + -10 (mm)



REV.00

## General Specifications

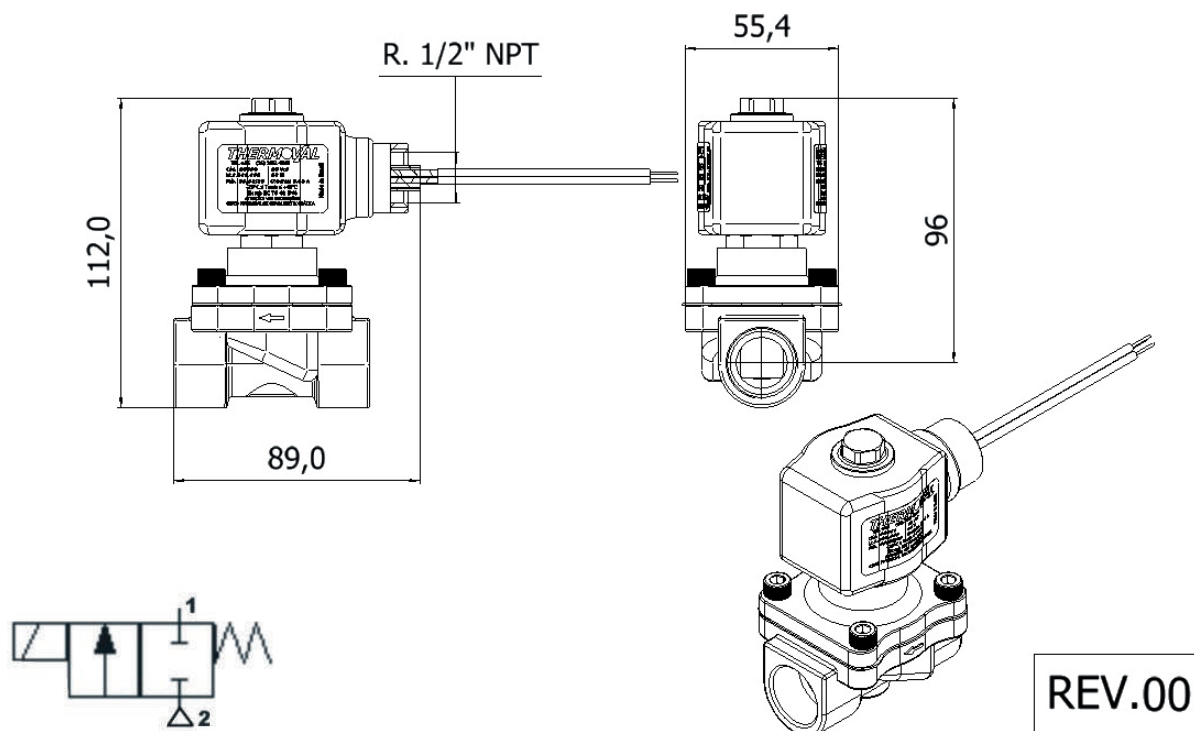
<b>Ways/ Position</b>	2/2- Vias Normally Closed - Direct Action Diaphragm
<b>Connection</b>	Female 3/4" BSP - Input / Output
<b>Orifice</b>	Ø 20,0 mm - (Kv 8,00) Flow factor
<b>Seal</b>	Fluorocarbon elastomer (Viton)
<b>Pressure Range</b>	Min.0 PSI / Max.150 PSI
<b>Body</b>	Stainless steel (AISI 316)
<b>Application</b>	Silicone fluids, Air, Di-Ester based lubricants, LPG, Natural Gas, Cold Oxygen, H2O, Ethanol

\* Other applications see compatibility



## Electrical Specifications

Product Options	Electrical Properties		
Code 3/8" BSP	Voltage	Wattage	Connection
23786	12 Vcc	20 Watts	1/2" NPT with cable tin plated 150 + -10 (mm)
23787	24 Vcc	20 Watts	1/2" NPT with cable tin plated 150 + -10 (mm)
23788	24 V 50/60 Hz	20 Watts	1/2" NPT with cable tin plated 150 + -10 (mm)
23789	110/127 V 50/60 Hz	20 Watts	1/2" NPT with cable tin plated 150 + -10 (mm)
23790	220/240 V 50/60 Hz	20 Watts	1/2" NPT with cable tin plated 150 + -10 (mm)



## General Specifications

**Ways/ Position** 2/2- Vias Normally Closed - Direct Action Diaphragm

**Connection** Female 3/4" BSP - Input / Output

**Orifice** Ø 20,0 mm - (Kv 8,00) Flow factor

**Seal** Fluorocarbon elastomer (Viton)

**Pressure Range** Min.0 PSI / Max.150 PSI

**Body** Brass (ASTM B16)

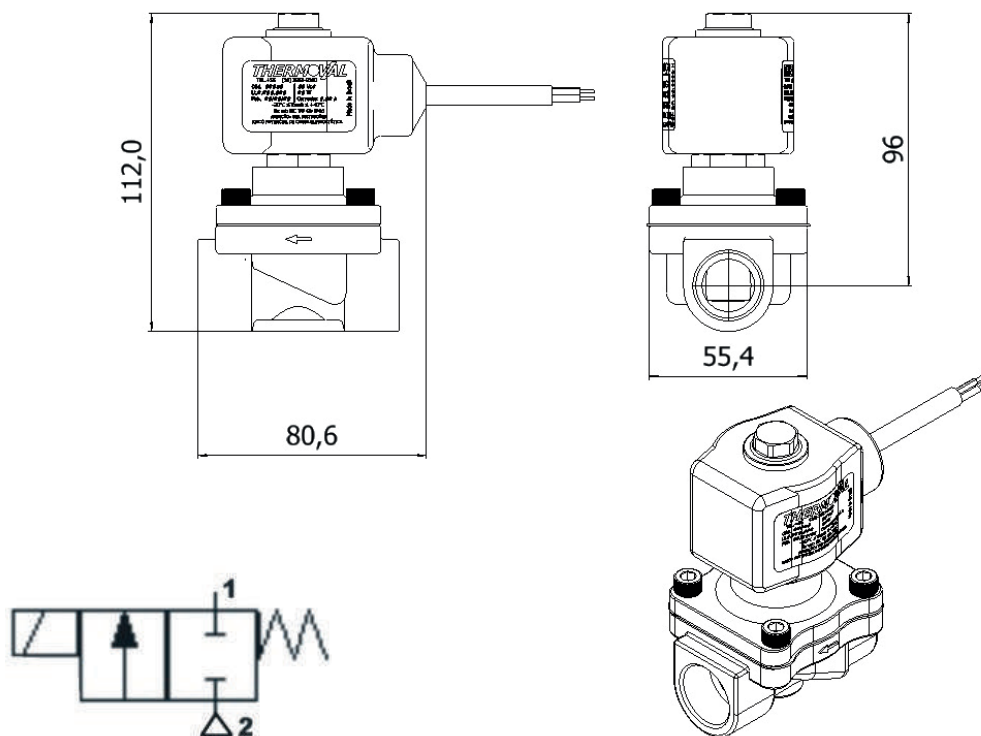
**Application** Silicone fluids, Air, Di-Ester based lubricants, LPG, Natural Gas, Cold Oxygen, H2O, Ethanol

\* Other applications, check compatibility



## Electrical Specifications

Product Options	Electrical Properties		
Code 3/8" BSP	Voltage	Wattage	Connection
23796	12 Vcc	20 Watts	Tinned cable 150 + -10 (mm)
23797	24 Vcc	20 Watts	Tinned cable 150 + -10 (mm)
23798	24 V 50/60 Hz	20 Watts	Tinned cable 150 + -10 (mm)
23799	110/127 V 50/60 Hz	20 Watts	Tinned cable 150 + -10 (mm)
23800	220/240 V 50/60 Hz	20 Watts	Tinned cable 150 + -10 (mm)



REV.00



## General Specifications

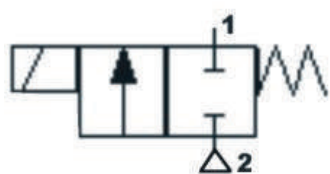
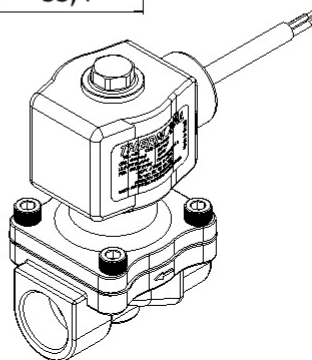
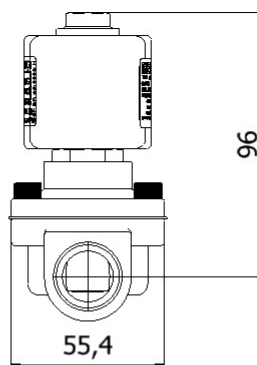
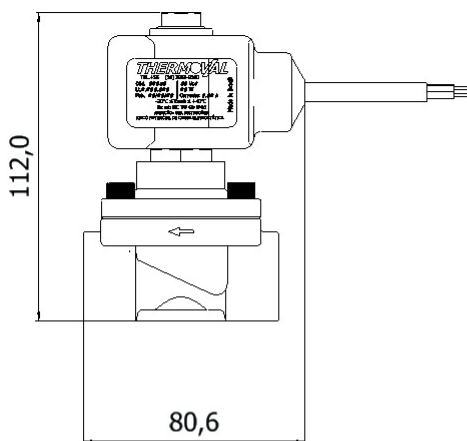
<b>Ways/ Position</b>	2/2- Vias Normally Closed - Direct Action Diaphragm
<b>Connection</b>	Female 3/4" BSP - Input / Output
<b>Orifice</b>	Ø 20,0 mm - (Kv 8,00) Flow factor
<b>Seal</b>	Fluorocarbon elastomer (Viton)
<b>Pressure Range</b>	Min.0 PSI / Max.150 PSI
<b>Body</b>	Aluminum (ASTM B211)
<b>Application</b>	Silicone fluids, Air, Di-Ester based lubricants, LPG, Natural Gas, Cold Oxygen, H2O, Ethanol

\* Other applications see compatibility



## Electrical Specifications

Product Options	Electrical Properties		
Code 3/8" BSP	Voltage	Wattage	Connection
23811	12 Vcc	20 Watts	Tinned cable 150 + -10 (mm)
23812	24 Vcc	20 Watts	Tinned cable 150 + -10 (mm)
23813	24 V 50/60 Hz	20 Watts	Tinned cable 150 + -10 (mm)
23814	110/127 V 50/60 Hz	20 Watts	Tinned cable 150 + -10 (mm)
23815	220/240 V 50/60 Hz	20 Watts	Tinned cable 150 + -10 (mm)



REV.00

## General Specifications

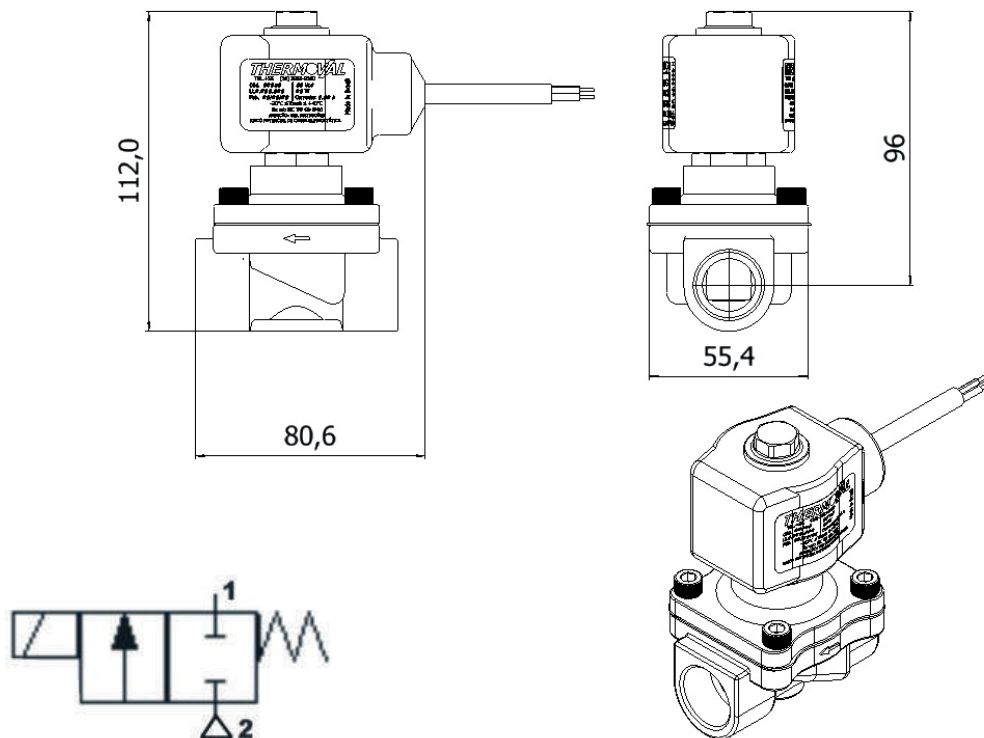
Ways/ Position	2/2- Vias Normally Closed - Direct Action Diaphragm
Connection	Female 3/4" BSP - Input / Output
Orifice	Ø 20,0 mm - (Kv 8,00) Flow factor
Seal	Fluorocarbon elastomer (Viton)
Pressure Range	Min.0 PSI / Max.150 PSI
Body	Stainless steel (AISI 316)
Application	Silicone fluids, Air, Di-Ester based lubricants, LPG, Natural Gas, Cold Oxygen, H2O, Ethanol

\* Other applications, check compatibility



## Electrical Specifications

Product Options	Electrical Properties		
Code 3/8" BSP	Voltage	Wattage	Connection
23826	12 Vcc	20 Watts	Tinned cable 150 + -10 (mm)
23827	24 Vcc	20 Watts	Tinned cable 150 + -10 (mm)
23828	24 V 50/60 Hz	20 Watts	Tinned cable 150 + -10 (mm)
23829	110/127 V 50/60 Hz	20 Watts	Tinned cable 150 + -10 (mm)
23830	220/240 V 50/60 Hz	20 Watts	Tinned cable 150 + -10 (mm)



REV.00

## General Specifications

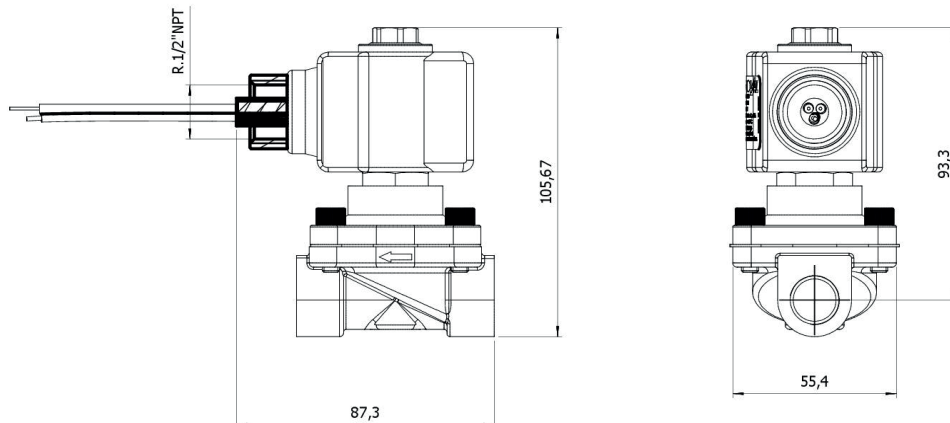
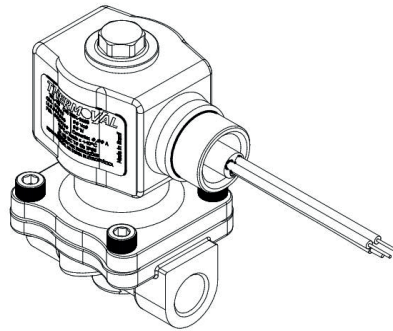
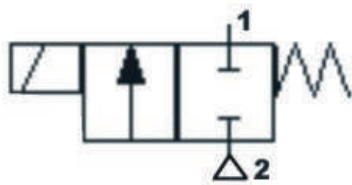
Ways/ Position	2/2- Vias Normally Closed
Connection	Female 3/8"NPT - Input / Output
Orifice	Ø 16,0 mm - (Kv 4,65) Flow factor.
Seal	Fluorocarbon elastomer (Viton)
Pressure Range	Min.0 PSI / Max.150 PSI
Body	Brass (ASTM B16).
Application	Silicone fluids, Air, Di-Ester based lubricants, LPG, Natural Gas, Cold Oxygen, H2O, Ethanol

\* Other applications see compatibility



## Electrical Specifications

Product Options	Electrical Properties		
Code 3/8"NPT	Voltage	Wattage	Connection
26450	12 Vcc	25 Watts	1/2" NPT with cable tin plated 150 + -10 (mm)
26451	24 Vcc	25 Watts	1/2" NPT with cable tin plated 150 + -10 (mm)
26452	24 V 50/60 Hz	25 Watts	1/2" NPT with cable tin plated 150 + -10 (mm)
26453	110/127 V 50/60 Hz	25 Watts	1/2" NPT with cable tin plated 150 + -10 (mm)
26454	220/240 V 50/60 Hz	25 Watts	1/2" NPT with cable tin plated 150 + -10 (mm)



REV.00

## General Specifications

**Ways/ Position** 2/2- Vias Normally Closed

**Connection** Female 1/2"NPT - Input / Output

**Orifice** Ø 16,0 mm - (Kv 4,65) Flow factor.

**Seal** Fluorocarbon elastomer (Viton)

**Pressure Range** Min.0 PSI / Max.150 PSI

**Body** Brass (ASTM B16).

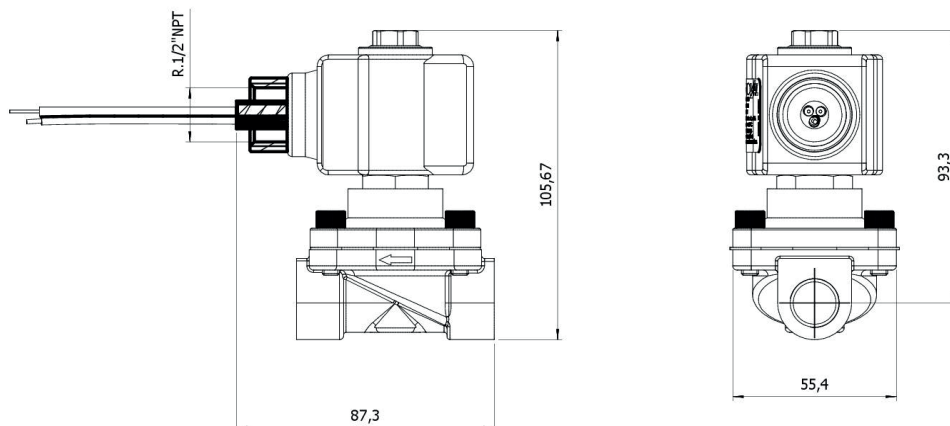
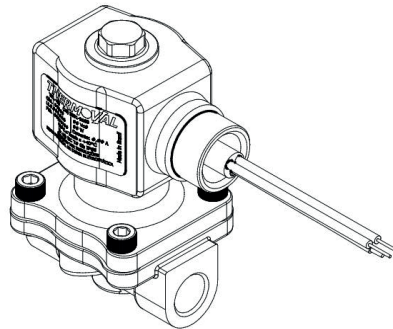
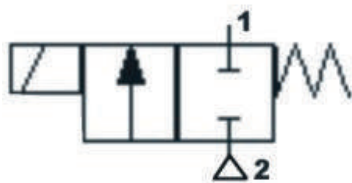
**Application** Silicone fluids, Air, Di-Ester based lubricants, LPG, Natural Gas, Cold Oxygen, H2O, Ethanol

\* Other applications, check compatibility



## Electrical Specifications

Product Options	Electrical Properties		
Code 1/2"NPT	Voltage	Wattage	Connection
26455	12 Vcc	25 Watts	1/2" NPT with cable tin plated 150 + -10 (mm)
26456	24 Vcc	25 Watts	1/2" NPT with cable tin plated 150 + -10 (mm)
26457	24 V 50/60 Hz	25 Watts	1/2" NPT with cable tin plated 150 + -10 (mm)
26458	110/127 V 50/60 Hz	25 Watts	1/2" NPT with cable tin plated 150 + -10 (mm)
26459	220/240 V 50/60 Hz	25 Watts	1/2" NPT with cable tin plated 150 + -10 (mm)



REV.00

## General Specifications

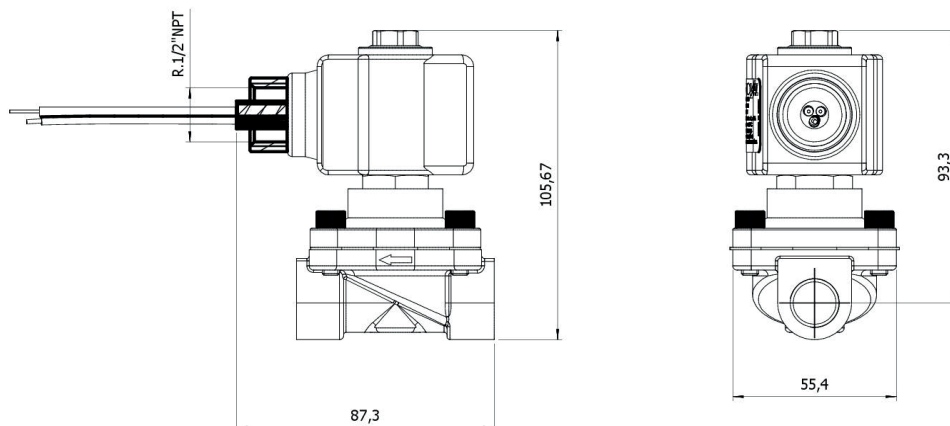
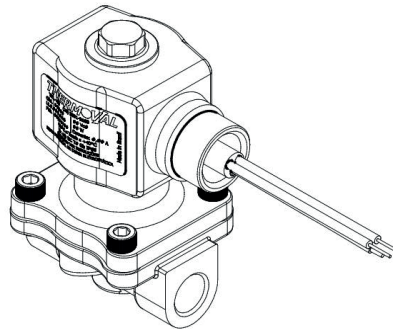
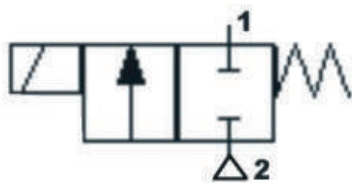
Ways/ Position	2/2- Vias Normally Closed
Connection	Female 3/4" NPT - Input / Output
Orifice	Ø 20,0 mm - ( Kv 8,0 ) Flow factor.
Seal	Fluorocarbon elastomer (Viton)
Pressure Range	Min.0 PSI / Max.150 PSI
Body	Brass (ASTM B16).
Application	Silicone fluids, Air, Di-Ester based lubricants, LPG, Natural Gas, Cold Oxygen, H2O, Ethanol

\* Other applications see compatibility



## Electrical Specifications

Product Options	Electrical Properties		
Code 3/4" NPT	Voltage	Wattage	Connection
26460	12 Vcc	25 Watts	1/2" NPT with cable tin plated 150 + -10 (mm)
26461	24 Vcc	25 Watts	1/2" NPT with cable tin plated 150 + -10 (mm)
26462	24 V 50/60 Hz	25 Watts	1/2" NPT with cable tin plated 150 + -10 (mm)
26463	110/127 V 50/60 Hz	25 Watts	1/2" NPT with cable tin plated 150 + -10 (mm)
26464	220/240 V 50/60 Hz	25 Watts	1/2" NPT with cable tin plated 150 + -10 (mm)



REV.00

## General Specifications

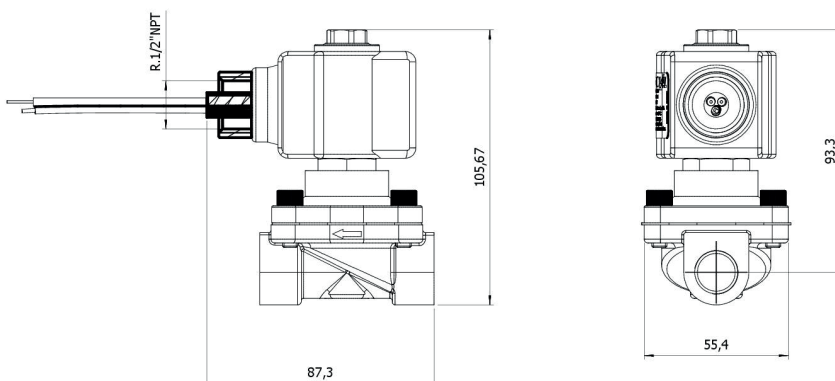
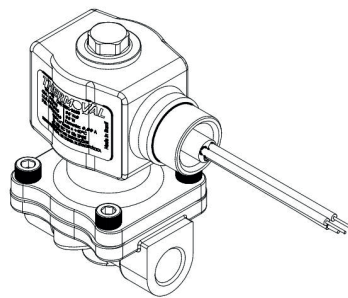
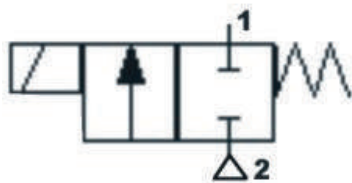
<b>Ways/ Position</b>	2/2- Vias Normally Closed
<b>Connection</b>	Female 1" NPT - Input / Output
<b>Orifice</b>	Ø 25,0 mm - (Kv 11,95) Flow factor.
<b>Seal</b>	Fluorocarbon elastomer (Viton)
<b>Pressure Range</b>	Min.0 PSI / Max.100 PSI
<b>Body</b>	Brass (ASTM B16).
<b>Application</b>	Silicone fluids, Air, Di-Ester based lubricants, LPG, Natural Gas, Cold Oxygen, H2O, Ethanol

\* Other applications, check compatibility



## Electrical Specifications

Product Options	Electrical Properties		
Code 1" NPT	Voltage	Wattage	Connection
26465	12 Vcc	25 Watts	1/2" NPT with cable tin plated 150 + -10 (mm)
26466	24 Vcc	25 Watts	1/2" NPT with cable tin plated 150 + -10 (mm)
26467	24 V 50/60 Hz	25 Watts	1/2" NPT with cable tin plated 150 + -10 (mm)
26468	110/127 V 50/60 Hz	25 Watts	1/2" NPT with cable tin plated 150 + -10 (mm)
28085	110/127 V 50/60 Hz	25 Watts	1/2" NPT with cable tin plated 150 + -10 (mm)
26469	220/240 V 50/60 Hz	25 Watts	1/2" NPT with cable tin plated 150 + -10 (mm)



REV.00

## General Specifications

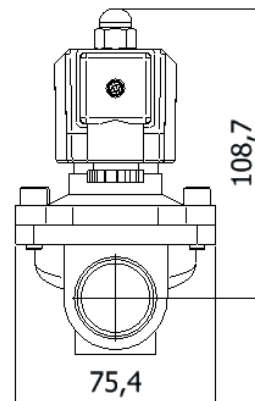
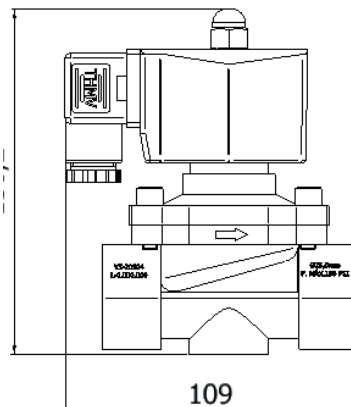
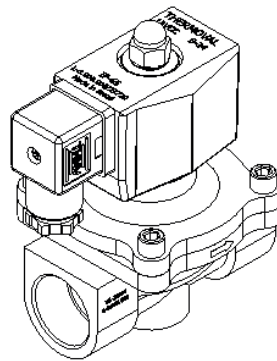
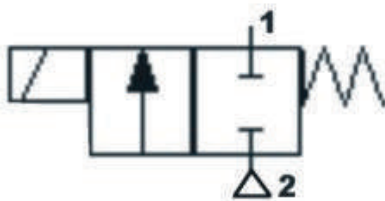
Ways/ Position	2/2- Vias Normally Closed
Connection	Female 1" NPT - Input / Output
Orifice	Ø 25,0 mm - (Kv 11,95) Flow factor.
Seal	Fluorocarbon elastomer (Viton)
Pressure Range	Min.0 PSI / Max.150 PSI
Body	Brass (ASTM B16).
Application	Silicone fluids, Air, Di-Ester based lubricants, LPG, Natural Gas, Cold Oxygen, H2O, Ethanol

\* Other applications see compatibility



## Electrical Specifications

Product Options	Electrical Properties		
Code 1" NPT	Voltage	Wattage	Connection
20904	12 Vcc	30 Watts	Electric DIN 43650A
20905	24 V 50/60 Hz	13 Watts	Electric DIN 43650A
20906	24 Vcc	30 Watts	Electric DIN 43650A
16231	110/127 V 50/60 Hz	15 Watts	Electric DIN 43650A
20907	220/240 V 50/60 Hz	14 Watts	Electric DIN 43650A



REV.00

## General Specifications

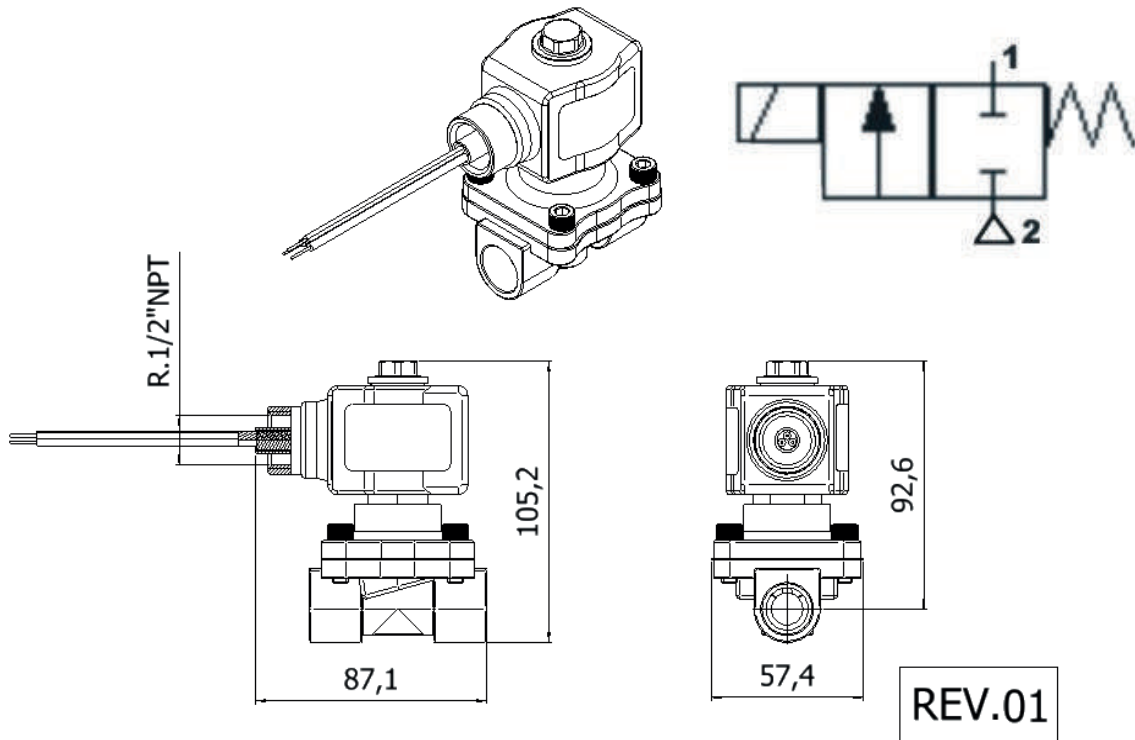
Ways/ Position	2/2- Vias Normally Closed
Connection	Female 1/2" NPT - Input / Output
Orifice	Ø 16,0 mm - (Kv 4,65) Flow factor.
Seal	Fluorocarbon elastomer (Viton)
Pressure Range	Min.0 PSI / Max.130 PSI
Body	Brass (ASTM B16).
Application	Silicone fluids, Air, Di-Ester based lubricants, LPG, Natural Gas, Cold Oxygen, H2O, Ethanol

\* Other applications, check compatibility



## Electrical Specifications

Product Options	Electrical Properties		
Code 1/2"NPT	Voltage	Wattage	Connection
25057	220/240 V 50/60 Hz	20 Watts	1/2" NPT with cable tin plated 150 + -10 (mm)



REV.01



## General Specifications

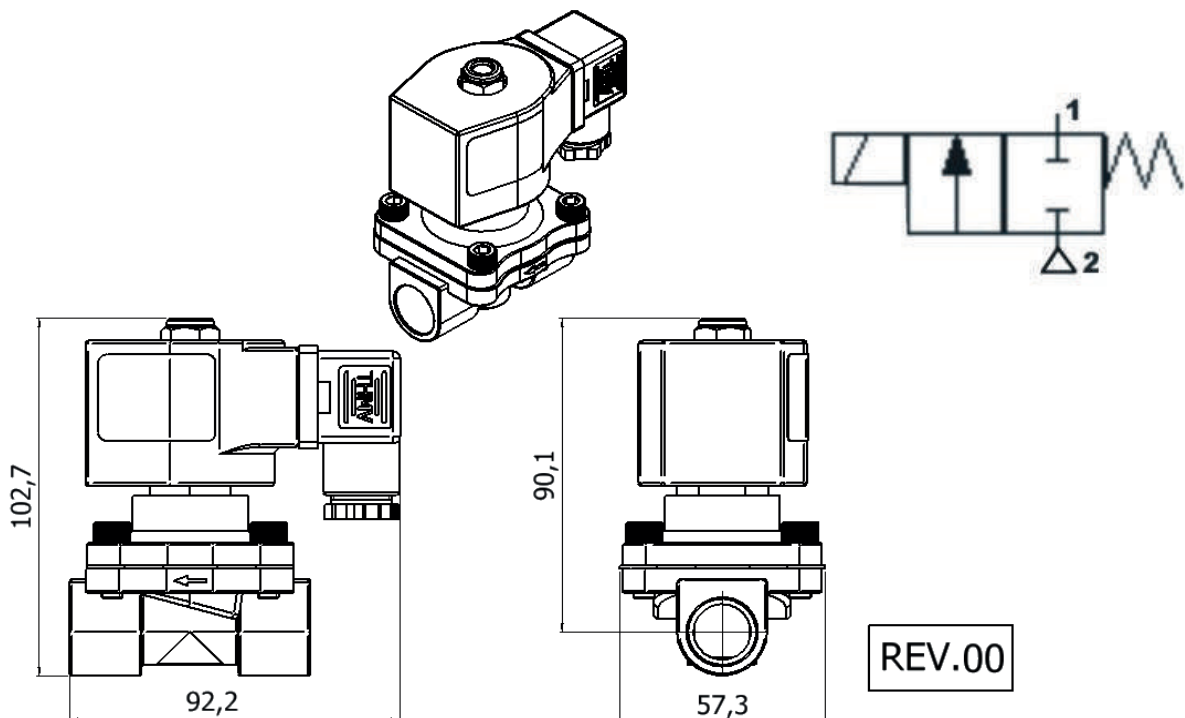
<b>Ways/ Position</b>	2/2- Vias Normally Closed
<b>Connection</b>	Female 1" NPT - Input / Output
<b>Orifice</b>	Ø 16,0 mm - (Kv 4,65) Flow factor.
<b>Seal</b>	EPDM
<b>Pressure Range</b>	Min.0 PSI / Max.150 PSI
<b>Body</b>	Stainless steel (AISI 316).
<b>Application</b>	Low Temperature, Water, Steam, Alcohol, and Automotive Brake Fluid.

\* Other applications see compatibility



## Electrical Specifications

Product Options	Electrical Properties		
Code 1/2" NPT	Voltage	Wattage	Connection
25191	12 Vcc	20 Watts	Electric DIN 43650A
25192	24 Vcc	20 Watts	Electric DIN 43650A
25193	24 V 50/60 Hz	20 Watts	Electric DIN 43650A
25194	110/127 V 50/60 Hz	12 Watts	Electric DIN 43650A
25195	220/240 V 50/60 Hz	20 Watts	Electric DIN 43650A



## General Specifications

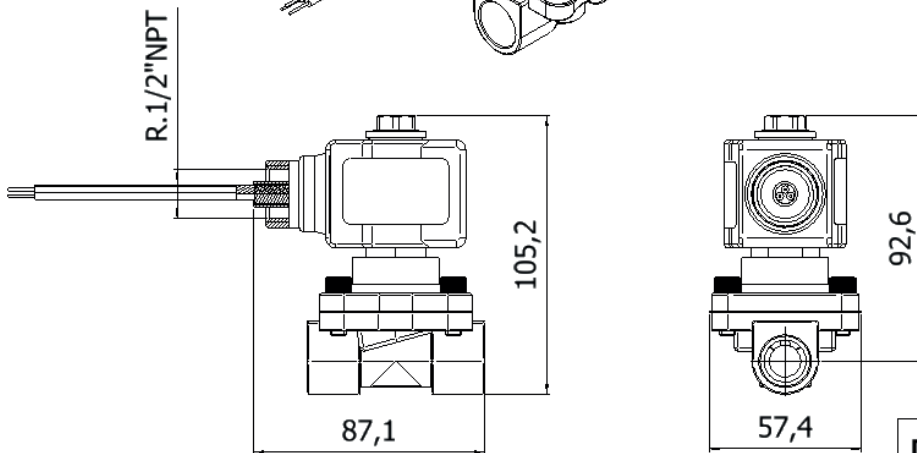
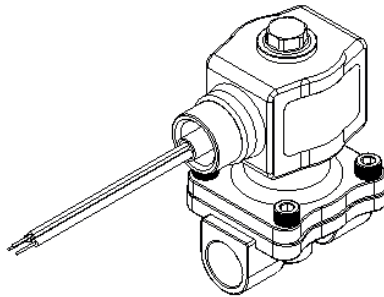
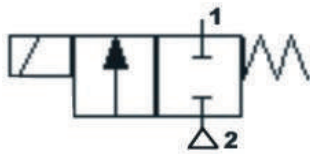
Ways/ Position	2/2- Vias Normally Closed
Connection	Female 1/2" NPT - Input / Output
Orifice	Ø 16,0 mm - (Kv 4,65) Flow factor.
Seal	Fluorocarbon elastomer (Viton)
Pressure Range	Min.0 PSI / Max.130 PSI
Body	Stainless steel (AISI 316).
Application	Air

\* Other applications, check compatibility



## Electrical Specifications

Product Options	Electrical Properties		
Code 1/2" NPT	Voltage	Wattage	Connection
25038	110/127 V 50/60 Hz	20 Watts	1/2" NPT with cable tin plated 150 + -10 (mm)



REV.01

## General Specifications

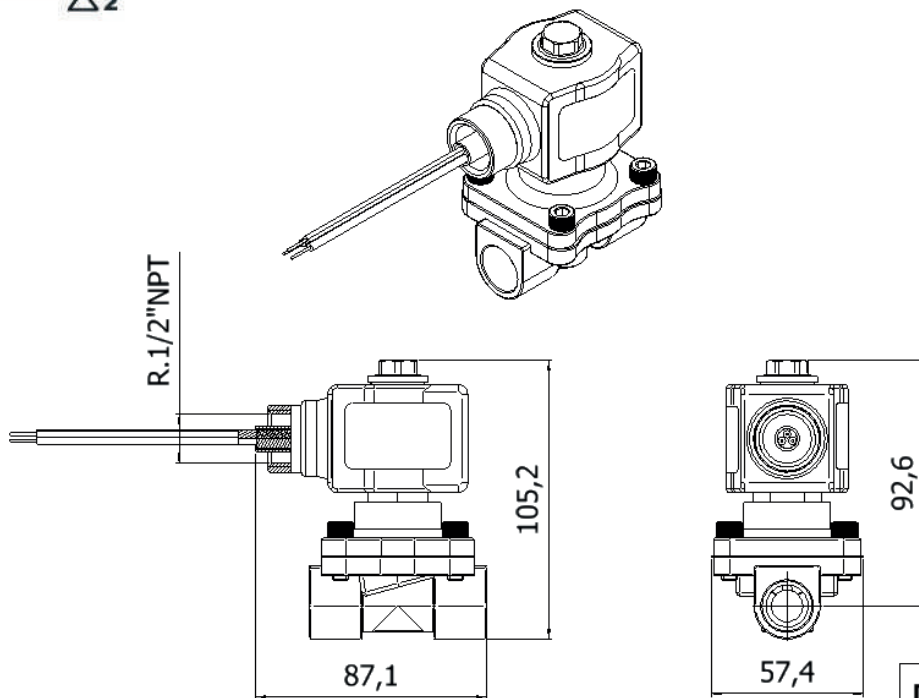
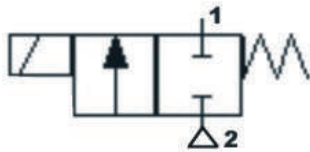
Ways/ Position	2/2- Vias Normally Closed
Connection	Female 3/4" NPT - Input / Output
Orifice	Ø 20,0 mm - ( Kv 8,0 ) Flow factor.
Seal	Fluorocarbon elastomer (Viton)
Pressure Range	Min.0 PSI / Max.150 PSI
Body	Stainless steel (AISI 316).
Application	Silicone fluids, Air, Di-Ester based lubricants, LPG, Natural Gas, Cold Oxygen, H2O, Ethanol.

\* Other applications see compatibility



## Electrical Specifications

Product Options	Electrical Properties		
Code 3/4"NPT	Voltage	Wattage	Connection
28028	24 Vcc	20 Watts	1/2" NPT with cable tin plated 150 + -10 (mm)

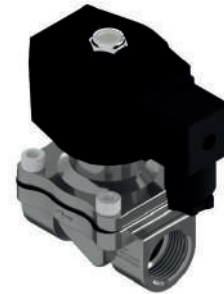


REV.01

## General Specifications

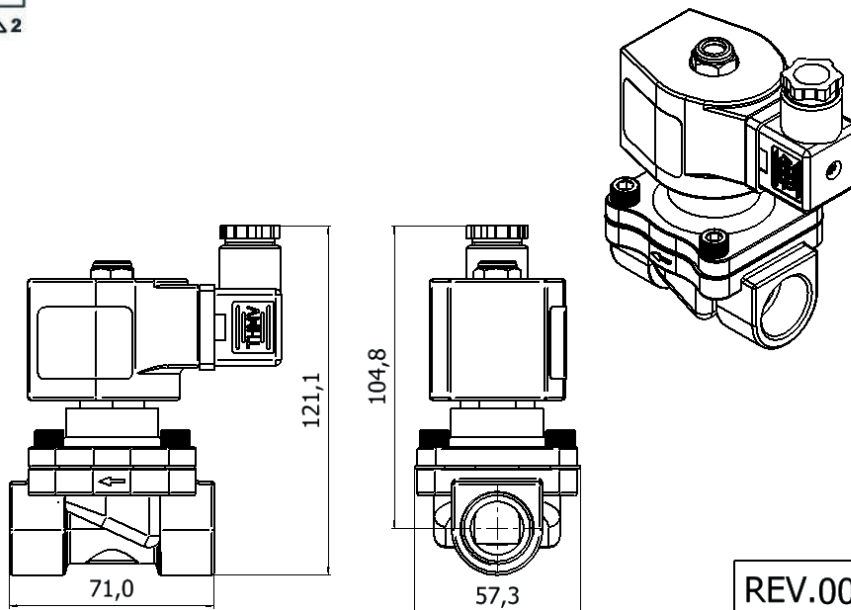
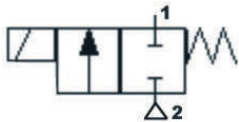
<b>Ways/ Position</b>	2/2- Vias Normally Closed
<b>Connection</b>	Female 3/4" NPT - Input / Output
<b>Orifice</b>	Ø 20,0 mm - ( Kv 8,0 ) Flow factor.
<b>Seal</b>	Fluorocarbon elastomer (Viton)
<b>Pressure Range</b>	Min.0 PSI / Max.150 PSI
<b>Body</b>	Stainless steel (AISI 316).
<b>Application</b>	Silicone fluids, Air, Di-Ester based lubricants, LPG, Natural Gas, Cold Oxygen, H2O, Ethanol.

\* Other applications, check compatibility



## Electrical Specifications

Product Options	Electrical Properties		
Code 3/4" NPT	Voltage	Wattage	Connection
23162	12 Vcc	25 Watts	Electric DIN 43650A
23163	24 Vcc	25 Watts	Electric DIN 43650A
23164	24 V 50/60 Hz	25 Watts	Electric DIN 43650A
23165	110/127 V 50/60 Hz	25 Watts	Electric DIN 43650A
23166	220/240 V 50/60 Hz	25 Watts	Electric DIN 43650A



## General Specifications

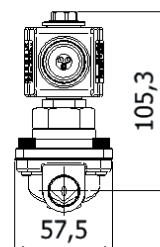
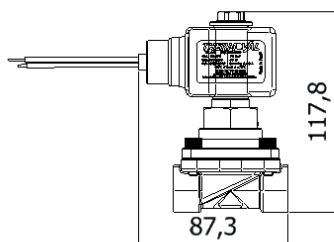
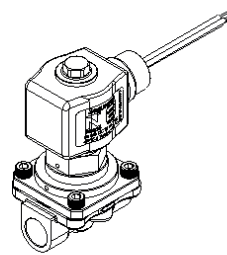
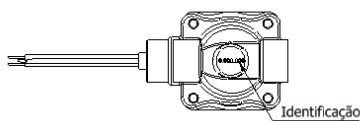
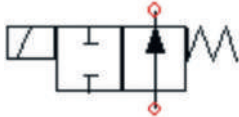
<b>Ways/ Position</b>	2/2- Vias Normally Closed
<b>Connection</b>	Female 1/2" NPT - Input / Output
<b>Orifice</b>	Ø 16,0 mm - (Kv 4,65) Flow factor.
<b>Seal</b>	Fluorocarbon elastomer (Viton)
<b>Pressure Range</b>	Min.0 PSI / Max.150 PSI
<b>Body</b>	Stainless steel (AISI 316).
<b>Application</b>	Silicone fluids, Air, Di-Ester based lubricants, LPG, Natural Gas, Cold Oxygen, H2O, Ethanol.

\* Other applications see compatibility



## Electrical Specifications

Product Options	Electrical Properties		
Code 1/2"NPT	Voltage	Wattage	Connection
26736	12 Vcc	20 Watts	1/2" NPT with cable tin plated 150 + -10 (mm)
26737	24 Vcc	20 Watts	1/2" NPT with cable tin plated 150 + -10 (mm)
26738	24 V 50/60 Hz	20 Watts	1/2" NPT with cable tin plated 150 + -10 (mm)
26739	110/127 V 50/60 Hz	20 Watts	1/2" NPT with cable tin plated 150 + -10 (mm)
26740	220/240 V 50/60 Hz	20 Watts	1/2" NPT with cable tin plated 150 + -10 (mm)



REV.00

## General Specifications

**Ways/ Position** 2/2- Vias Normally Closed

**Connection** Female 1/4" NPT - Input / Output

**Orifice** Ø 4,0 mm - ( Kv 0,36 ) Flow factor.

**Seal** Fluorocarbon elastomer (Viton)

**Pressure Range** Min.0 PSI / Max. 20 PSI

**Body** Stainless steel (AISI 316).

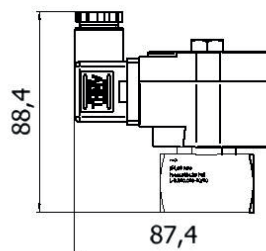
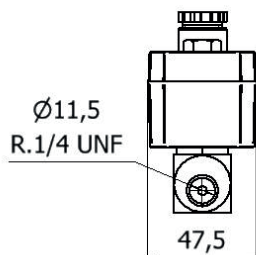
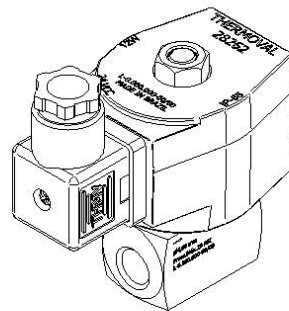
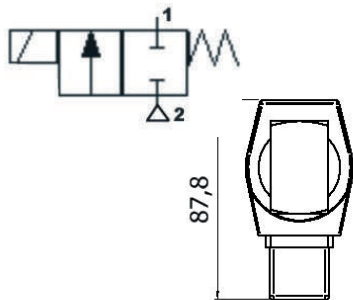
**Application** High temperature oils (100 a 150 °C), Silicone oil and greases, Air, GLP, GNV, Di-Ester based lubricants, Oxygen, Water and Steam.

\* Other applications, check compatibility



## Electrical Specifications

Product Options	Electrical Properties		
Code 1/4" NPT	Voltage	Wattage	Connection
28262	24 Vcc	12 Watts	Electric DIN 43650A



REV.00

## General Specifications

**Ways/ Position** 2/2- Vias Normally Closed

**Connection** Female 1/4" NPT - Input / Output

**Orifice** Ø 4,0 mm - ( Kv 0,36 ) Flow factor.

**Seal** Fluorocarbon elastomer (Viton)

**Pressure Range** Min.0 PSI / Max. 60 PSI

**Body** Stainless steel (AISI 316).

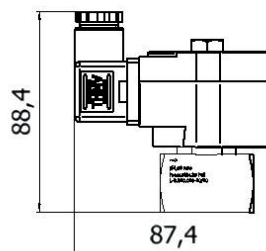
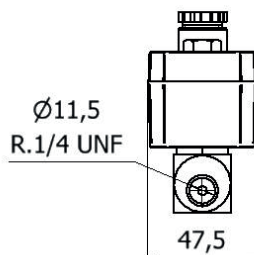
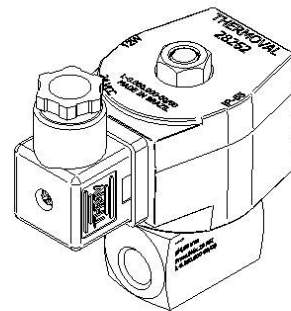
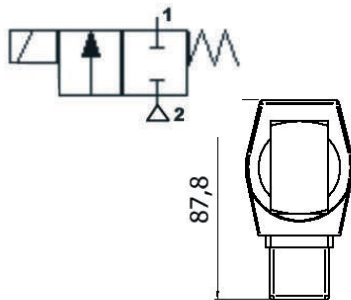
**Application** High temperature oils (100 a 150 °C), Silicone oil and greases, Air, GLP, GNV, Di-Ester based lubricants, Oxygen, Water and Steam.

\* Other applications see compatibility



## Electrical Specifications

Product Options	Electrical Properties		
Code 1/4" NPT	Voltage	Wattage	Connection
28263	110/127 V 50/60 Hz	12 Watts	Electric DIN 43650A



REV.00

## General Specifications

**Ways/ Position** 2/2- Vias Normally Closed

**Connection** Female 1/4" NPT - Input / Output

**Orifice** Ø 5,5 mm - ( Kv 0,52 ) Flow factor.

**Seal** Fluorocarbon elastomer (Viton)

**Pressure Range** Min.0 PSI / Max. 100 PSI

**Body** Stainless steel (AISI 316).

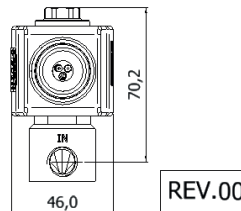
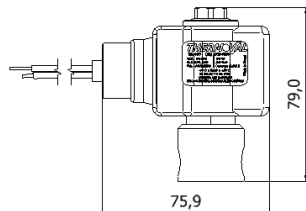
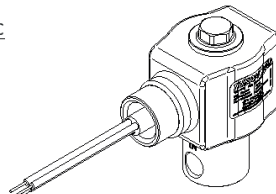
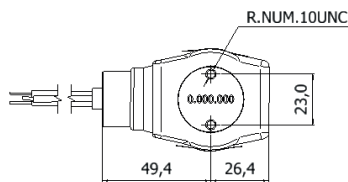
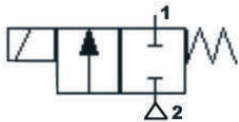
**Application** High temperature oils (100 a 150 °C), Silicone oil and greases, Air, GLP, GNV, Di-Ester based lubricants, Oxygen, Water and Steam.

\* Other applications, check compatibility



## Electrical Specifications

Product Options		Electrical Properties		
Code	1/4" NPT	Voltage	Wattage	Connection
28244		24 Vcc	20 Watts	1/2" NPT with cable tin plated 150 + -10 (mm)
25329		110/127 V 50/60 Hz	20 Watts	1/2" NPT with cable tin plated 150 + -10 (mm)
28245		220/240 V 50/60 Hz	20 Watts	1/2" NPT with cable tin plated 150 + -10 (mm)





## General Specifications

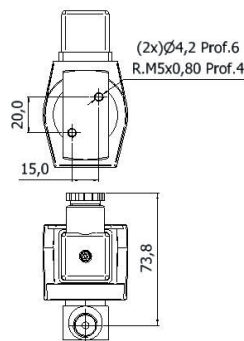
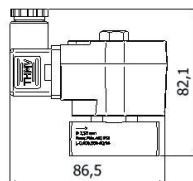
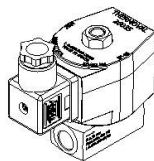
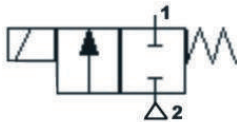
Ways/ Position	2/2- Vias Normally Closed
Connection	Female 1/4" NPT - Input / Output
Orifice	Ø 2,5 mm - ( Kv 0,18 ) Flow factor.
Seal	Fluorocarbon elastomer (Viton)
Pressure Range	Min.0 PSI / Max. 400 PSI
Body	Stainless steel (AISI 316).
Application	Air



\* Other applications see compatibility

## Electrical Specifications

Product Options	Electrical Properties		
Code 1/4" NPT	Voltage	Wattage	Connection
26035	110/127 V 50/60 Hz	25 Watts	Electric DIN 43650A
28317	110/127 V 50/60 Hz	25 Watts	Electric DIN 43650A
27157	220/240 V 50/60 Hz	25 Watts	Electric DIN 43650A
28316	220/240 V 50/60 Hz	25 Watts	Electric DIN 43650A



REV.00

## General Specifications

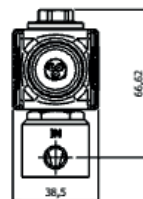
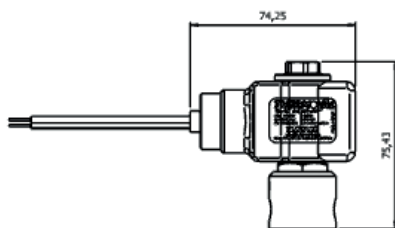
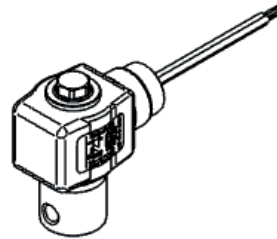
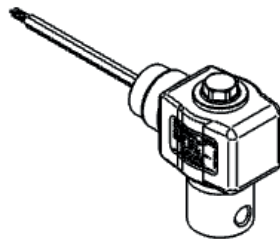
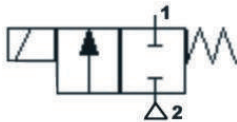
Ways/ Position	2/2- Vias Normally Closed
Connection	Female 1/8" NPT - Input / Output
Orifice	Ø 5,5 mm - ( Kv 0,52 ) Flow factor.
Seal	Polymer N 30000-7 B (Nitrile)
Pressure Range	Min.0 PSI / Max.100 PSI
Body	Stainless steel (AISI 303/304).
Application	Mineral oils, hydraulic fluids, LPG, NG, Air, and water.

\* Other applications, check compatibility



## Electrical Specifications

Product Options	Electrical Properties		
Code 1/8" NPT	Voltage	Wattage	Connection
25533	12 Vcc	20 Watts	1/2" NPT with cable tin plated 150 + -10 (mm)
25536	24 Vcc	20 Watts	1/2" NPT with cable tin plated 150 + -10 (mm)
25534	24 V 50/60 Hz	20 Watts	1/2" NPT with cable tin plated 150 + -10 (mm)
25535	220/240 V 50/60 Hz	20 Watts	1/2" NPT with cable tin plated 150 + -10 (mm)



REV.00

## General Specifications

**Ways/ Position** 2/2- Vias Normally open - Direct Action

**Connection** Female 1/8" NPT - Input / Output  
Female 1/4" NPT - Input / Output

**Orifice** Ø 3,0 mm - ( Kv 0,23 ) Flow factor

**Seal** Fluorocarbon elastomer (Viton)

**Pressure Range** Min.0 PSI / Max.120 PSI

**Body** Brass (ASTM B16)

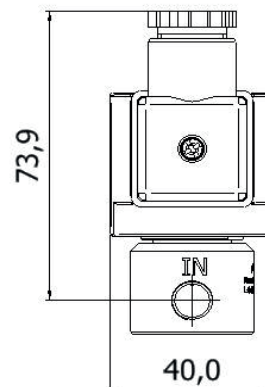
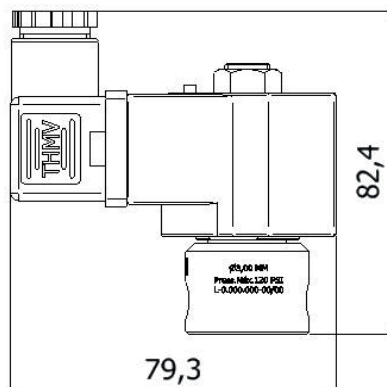
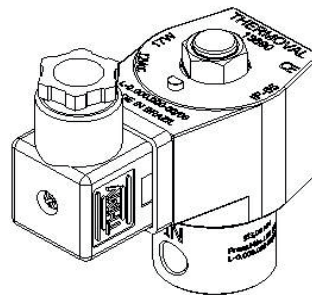
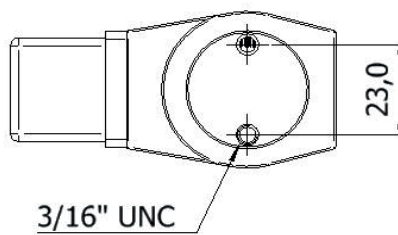
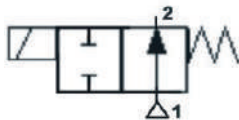
**Application** High temperature oils (100 a 150 °C), Silicone oil and greases, Air, GLP, GNV, Di-Ester based lubricants, Oxygen, Water and Steam

\* Other applications see compatibility



## Electrical Specifications

Product Options		Electrical Properties		
Code 1/8" NPT	Code 1/4" NPT	Voltage	Wattage	Connection
13690	13670	12 Vcc	17 Watts	Electric DIN 43650A
13691	13671	24 Vcc	17 Watts	Electric DIN 43650A
13692	13672	24 V 50/60 Hz	20 Watts	Electric DIN 43650A
13693	13673	220/240 V 50/60 Hz	20 Watts	Electric DIN 43650A
13694	13674	220/240 V 50/60 Hz	20 Watts	Electric DIN 43650A



REV.00

## General Specifications

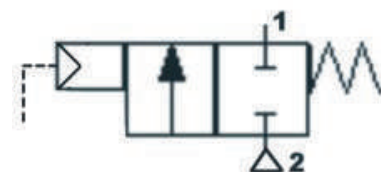
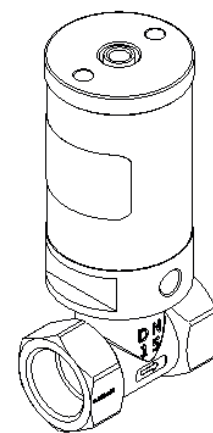
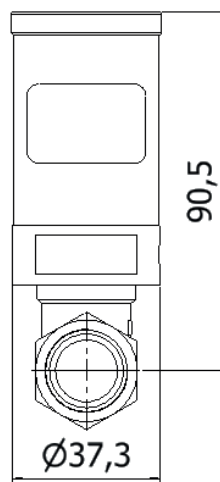
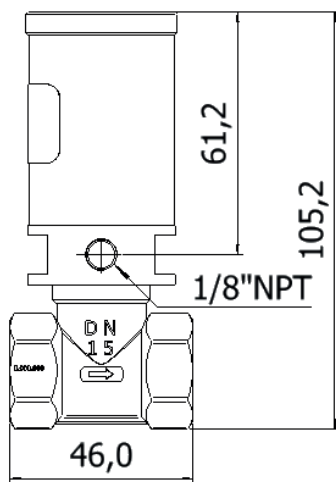
Ways / Position	2/2- Vias Normally Closed with pneumatically driven
Connection	-
Hole	-
Seal	Teflon (PTFE) and Fluorocarbon elastomer (Viton)
Pressure Range	Min.0 PSI / Max.150 PSI (Pilot Pressure: ≥ 60 PSI)
Body	Brass (ASTM B16)
Application	High temperature oils, solvents, silicone fluids, Air, GLP, GNV, Di-Ester based lubricants, Oxygen and Steam (180.C)

\* Other applications see compatibility



## Product Options

Code NPT	Code BSP	Connection	Orifice
19090	15030	1/2"	Ø15,0 mm - (Kv 4,1) Flow factor
20769	15031	3/4"	Ø20,0 mm - (Kv 8,0) Flow factor
16223	15032	1"	Ø25,0 mm - (Kv 11,95) Flow factor
20770	15033	1.1/2"	Ø40,0 mm - (Kv 36,1) Flow factor
20771	15034	2"	Ø50,0 mm - (Kv 40,8) Flow factor



## General Specifications

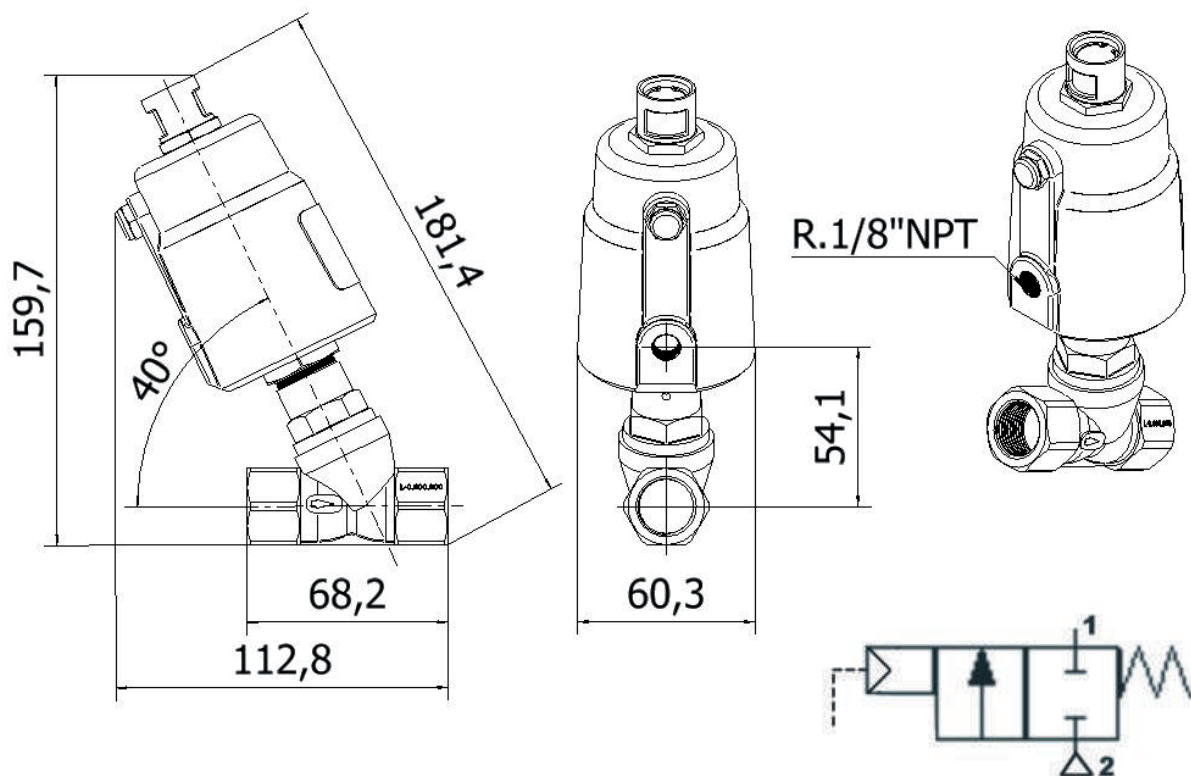
Ways / Position	2/2- Vias Normally Closed - AngulAir
Connection	-
Hole	-
Seal	Teflon (PTFE) and Fluorocarbon elastomer (Viton)
Pressure Range	Min.0 PSI / Max.150 PSI (Pressão Piloto: ≥ 60 PSI)
Body	Stainless steel 316 Microfundido (CF-8M)
Application	High temperature oils, solvents, silicone fluids, Air, GLP, GNV, Di-Ester based lubricants, Oxygen and Steam (180.C)

\* Other applications see compatibility



## Product Options

Code NPT	Code BSP	Connection	Orifice
16219	14751	1/2"	Ø13,0 mm - (Kv 3,06) Flow factor.
18696	14752	3/4"	Ø18,0 mm - (Kv 5,92) Flow factor.
16221	14753	1"	Ø24,0 mm - (Kv 14,0) Flow factor.
18697	14754	1.1/2"	Ø35,0 mm - (Kv 19,03) Flow factor.
20766	147334	2"	Ø45,0 mm - (Kv 32,8) Flow factor.



## General Specifications

**Ways/ Position** 2/2- Servo Operated Normally Closed Routes

**Connection** Female 1" BSP - Input / Output 90°

**Orifice** Ø 32,0 mm - (Kv 14,5) Flow factor

**Seal** Polymer N30000-7 (Nitrilico)

**Pressure Range** Min.7 PSI / Max.125 PSI

**Body** Aluminum (ASTM B211)

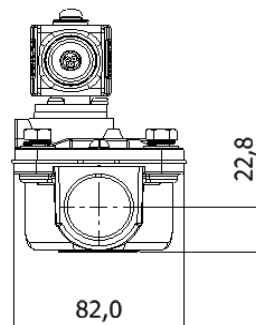
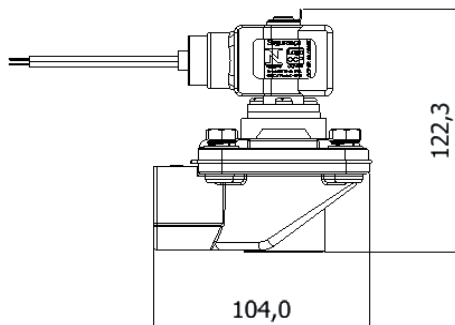
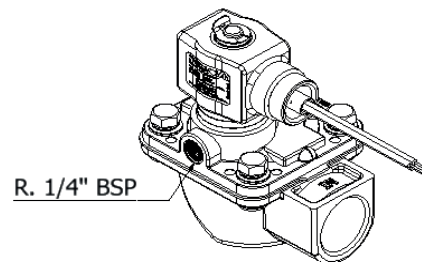
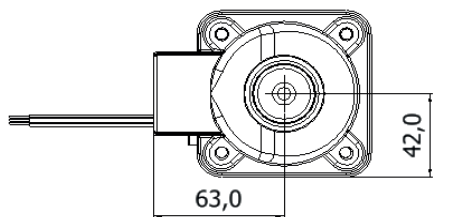
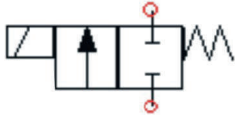
**Application** Compressed air

\* Other applications, check compatibility



## Electrical Specifications

Product Options	Electrical Properties		
Code 1" BSP	Voltage	Wattage	Connection
23701	12 Vcc	20 Watts	1/2" NPT with cable tin plated 150 + -10 (mm)
23702	24 Vcc	20 Watts	1/2" NPT with cable tin plated 150 + -10 (mm)
23703	24 V 50/60 Hz	20 Watts	1/2" NPT with cable tin plated 150 + -10 (mm)
23704	220/240 V 50/60 Hz	20 Watts	1/2" NPT with cable tin plated 150 + -10 (mm)
23705	220/240 V 50/60 Hz	20 Watts	1/2" NPT with cable tin plated 150 + -10 (mm)



REV.00

## General Specifications

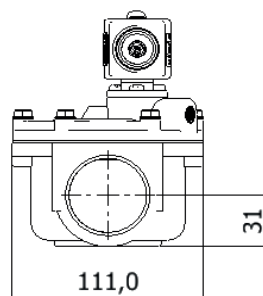
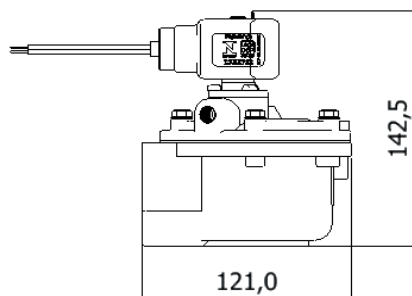
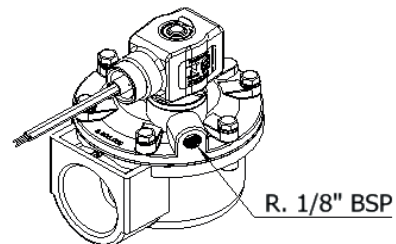
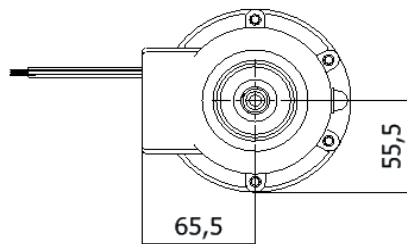
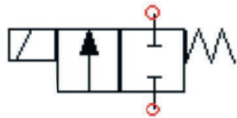
Ways/ Position	2/2- Servo Operated Normally Closed Routes
Connection	Female 1.1/2" BSP - Input / Output 90°
Orifice	Ø 41,0 mm - (Kv 38,25) Flow factor.
Seal	Polymer N30000-7 (Nitrilico)
Pressure Range	Min.7 PSI / Max.125 PSI
Body	Aluminum (ASTM B211)
Application	Compressed air



\* Other applications see compatibility

## Electrical Specifications

Product Options	Electrical Properties		
Code 1.1/2" BSP	Voltage	Wattage	Connection
23706	12 Vcc	20 Watts	1/2" NPT with cable tin plated 150 + -10 (mm)
23707	24 Vcc	20 Watts	1/2" NPT with cable tin plated 150 + -10 (mm)
23708	24 V 50/60 Hz	20 Watts	1/2" NPT with cable tin plated 150 + -10 (mm)
23709	220/240 V 50/60 Hz	20 Watts	1/2" NPT with cable tin plated 150 + -10 (mm)
23710	220/240 V 50/60 Hz	20 Watts	1/2" NPT with cable tin plated 150 + -10 (mm)



REV.00

## General Specifications

**Ways/ Position** 2/2- Servo Operated Normally Closed Routes

**Connection** Female 2" BSP - Input / Output 90°

**Orifice** Ø 56,0 mm - (Kv 85,0) Flow factor

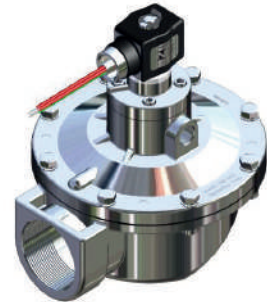
**Seal** Polymer N30000-7 (Nitrilico)

**Pressure Range** Min.7 PSI / Max.110 PSI

**Body** Aluminum (ASTM B211)

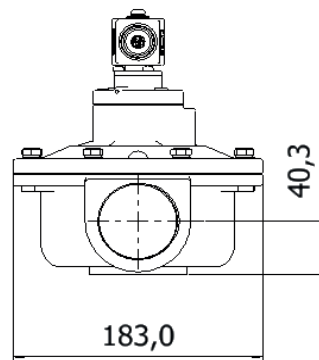
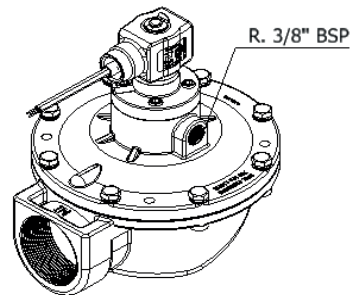
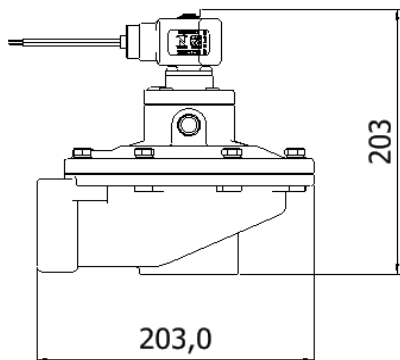
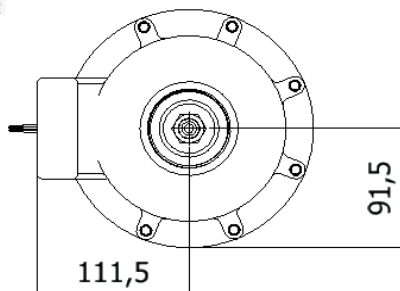
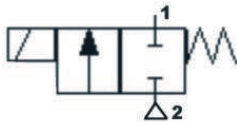
**Application** Compressed air

\* Other applications, check compatibility



## Electrical Specifications

Product Options	Electrical Properties		
Code 2" BSP	Voltage	Wattage	Connection
23711	12 Vcc	20 Watts	1/2" NPT with cable tin plated 150 + -10 (mm)
23712	24 Vcc	20 Watts	1/2" NPT with cable tin plated 150 + -10 (mm)
23713	24 V 50/60 Hz	20 Watts	1/2" NPT with cable tin plated 150 + -10 (mm)
23714	220/240 V 50/60 Hz	20 Watts	1/2" NPT with cable tin plated 150 + -10 (mm)
23715	220/240 V 50/60 Hz	20 Watts	1/2" NPT with cable tin plated 150 + -10 (mm)



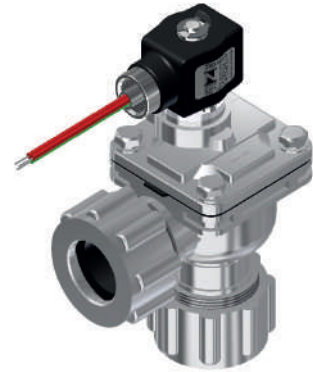
REV.00



## General Specifications

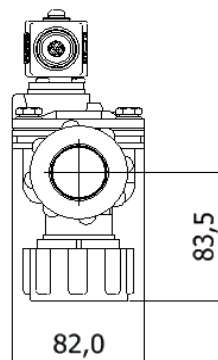
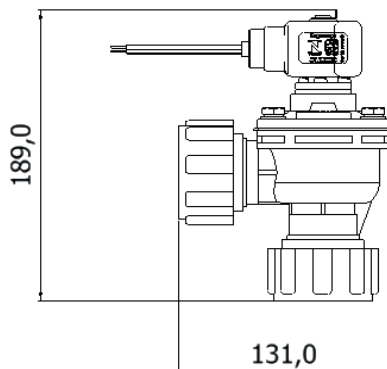
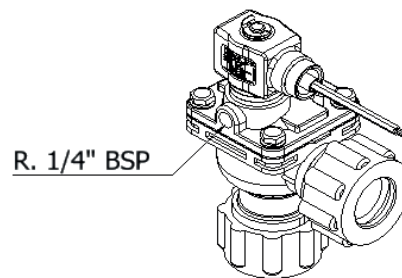
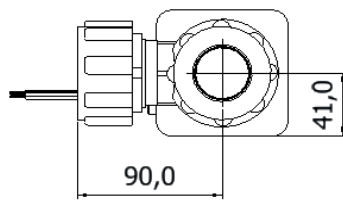
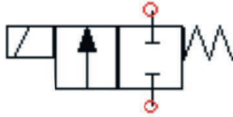
<b>Ways/ Position</b>	2/2- Servo Operated Normally Closed Routes
<b>Connection</b>	For pipe ø 35mm without Screw thread - INPUT For pipe ø 35mm without Screw thread - Output Ang. 90°
<b>Orifice</b>	Ø 25,0 mm - (Kv 11,95) Flow factor
<b>Seal</b>	Polymer N30000-7 (Nitrilico)
<b>Pressure Range</b>	Min.7 PSI / Max.125 PSI
<b>Body</b>	Aluminum (ASTM B211)
<b>Application</b>	Compressed air

\* Other applications see compatibility



## Electrical Specifications

Product Options	Electrical Properties		
Tube Code 35 mm	Voltage	Wattage	Connection
23716	12 Vcc	20 Watts	1/2" NPT with cable tin plated 150 + -10 (mm)
23717	24 Vcc	20 Watts	1/2" NPT with cable tin plated 150 + -10 (mm)
23718	24 V 50/60 Hz	20 Watts	1/2" NPT with cable tin plated 150 + -10 (mm)
23719	220/240 V 50/60 Hz	20 Watts	1/2" NPT with cable tin plated 150 + -10 (mm)
23720	220/240 V 50/60 Hz	20 Watts	1/2" NPT with cable tin plated 150 + -10 (mm)



REV.00

## General Specifications

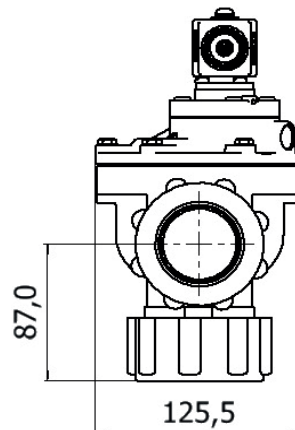
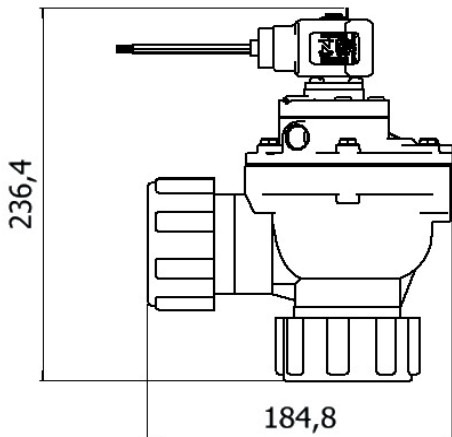
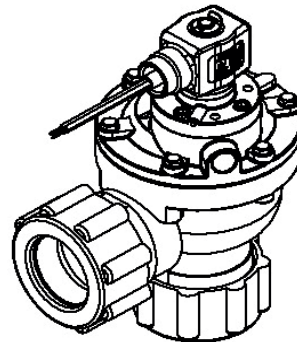
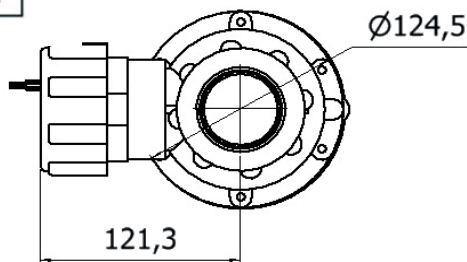
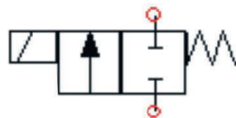
Ways/ Position	2/2- Servo Operated Normally Closed Routes
Connection	For pipe $\varnothing$ 50mm without Screw thread - INPUT For pipe $\varnothing$ 50mm without Screw thread - Output Ang. 90°
Orifice	$\varnothing$ 45,0 mm - (Kv 32,8) Flow factor
Seal	Polymer N30000-7 (Nitrilico)
Pressure Range	Min.7 PSI / Max.125 PSI
Body	Aluminum (ASTM B211)
Application	Compressed air

\* Other applications, check compatibility



## Electrical Specifications

Product Options	Electrical Properties		
Tube Code 35 mm	Voltage	Wattage	Connection
23721	12 Vcc	20 Watts	1/2" NPT with cable tin plated 150 + -10 (mm)
23722	24 Vcc	20 Watts	1/2" NPT with cable tin plated 150 + -10 (mm)
23723	24 V 50/60 Hz	20 Watts	1/2" NPT with cable tin plated 150 + -10 (mm)
23724	220/240 V 50/60 Hz	20 Watts	1/2" NPT with cable tin plated 150 + -10 (mm)
23725	220/240 V 50/60 Hz	20 Watts	1/2" NPT with cable tin plated 150 + -10 (mm)



REV.00

## General Specifications

Ways / Position	2/2- Servo Operated Normally Closed Routes
Connection	Female 3/4"NPT / BSP - Input / Output 90° Female 1"NPT / BSP - Input / Output 90°
Orifice	Ø 32,0 mm - (Kv 14,5) Flow factor
Seal	Polymer N30000-7 (Nitrilico)
Pressure Range	Min.7 PSI / Max.125 PSI
Body	Aluminum (ASTM B211)
Application	Compressed air

\* Other applications see compatibility



## Especificações Electricas

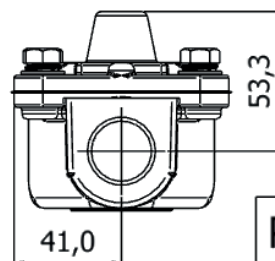
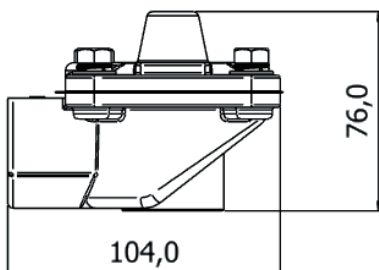
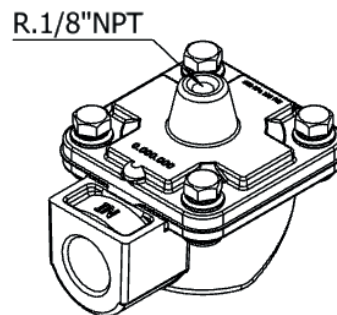
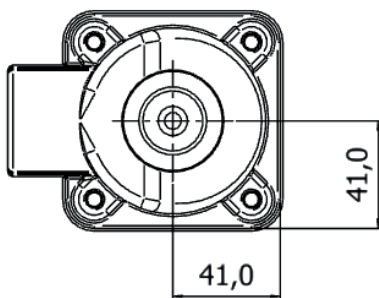
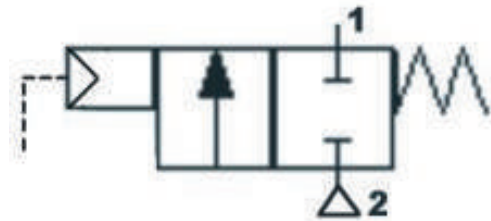
### Product Options

Code 3/4"NPT / BSP

19531 / 15181

Code 1"NPT / BSP

19533 / 15183



REV.00

## General Specifications

**Ways/ Position** 2/2- Servo Operated Normally Closed Routes

**Connection** Female 1.1/2"NPT / BSP- Input / Output 90°

**Orifice** Ø 50,0 mm - (Kv 43,86) Flow factor

**Seal** Polymer N30000-7 (Nitrilico)

**Pressure Range** Min.7 PSI / Max.125 PSI

**Body** Aluminum (ASTM B211)

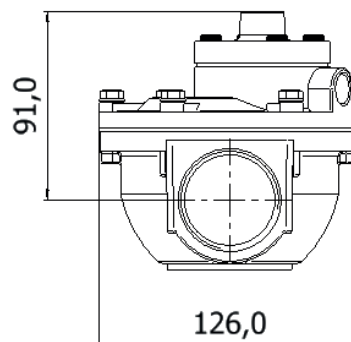
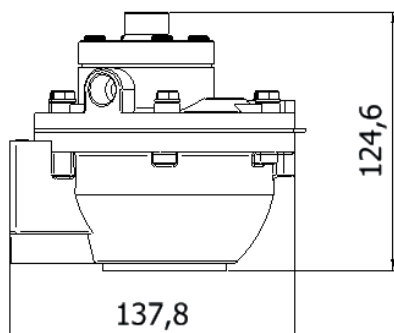
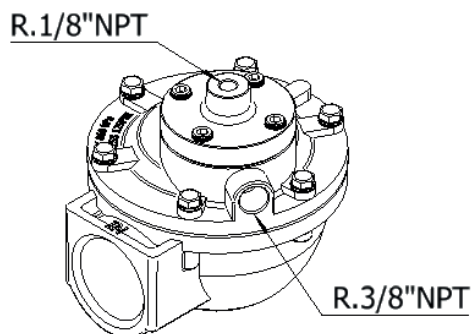
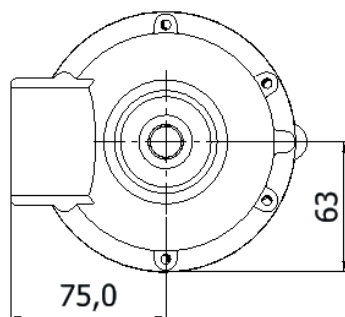
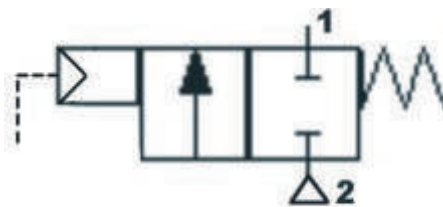
**Application** Compressed air

\* Other applications, check compatibility



## Especificações Electricas

Product Options	Electrical Properties
Code 1.1/2"NPT / BSP	Voltage
19534 / 15185	12 Vcc



REV.00

## General Specifications

**Ways/ Position** 2/2- Servo Operated Normally Closed Routes

**Connection** Female 2"NPT / BSP- Input / Output 90°

**Orifice** Ø 56,0 mm - (Kv 85,0) Flow factor

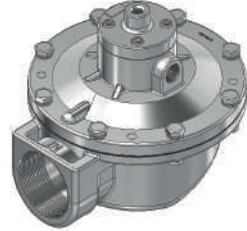
**Seal** Polymer N30000-7 (Nitrilico)

**Pressure Range** Min.7 PSI / Max.110 PSI

**Body** Aluminum (ASTM B211)

**Application** Compressed air

\* Other applications see compatibility

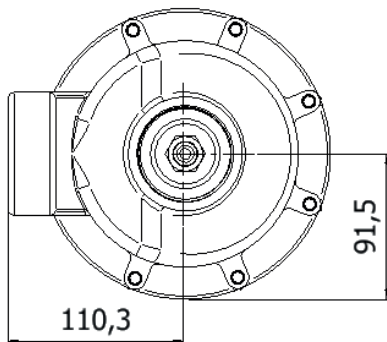
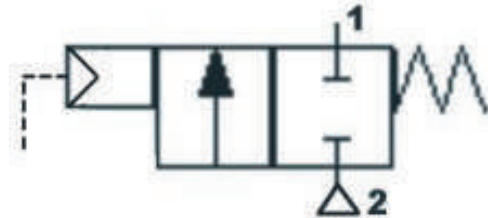


## Electrical Specifications

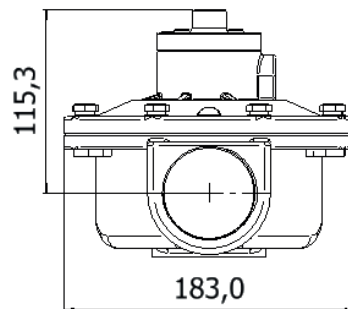
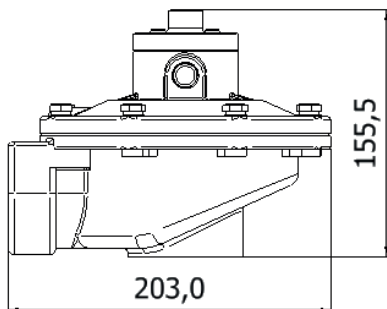
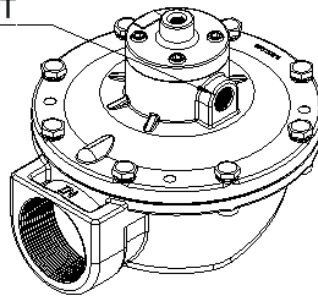
**Product Options**

Code 2"NPT / BSP

20955 / 15187



R.3/8" NPT



REV.00

## General Specifications

**Ways/ Position** 2/2- Servo Operated Normally Closed Routes

**Connection** Female 2.1/2"NPT- Input / Output 90°

**Orifice** Ø 76 mm - (Kv 171,53) Flow factor

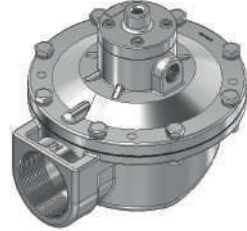
**Seal** Polymer N30000-7 (Nitrilico)

**Pressure Range** Min.7 PSI / Max.110 PSI

**Body** Aluminum (ASTM B211)

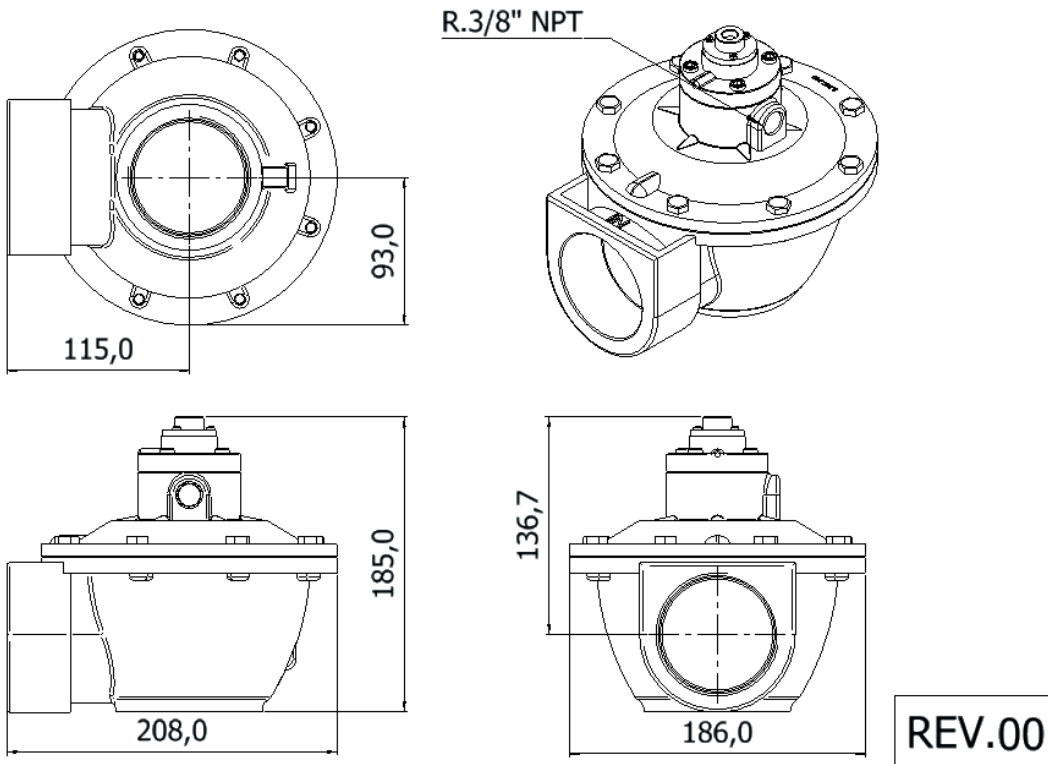
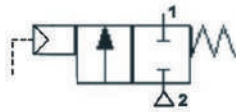
**Application** Compressed air

\* Other applications, check compatibility



## Electrical Specifications

Product Options	Electrical Properties		
Code 2.1/2"NPT	Voltage	Wattage	Connection
20977	12 Vcc		



## General Specifications

**Ways/ Position** 2/2- Servo Operated Normally Closed Routes

**Connection** Female 3"NPT- Input / Output 90°

**Orifice** Ø 76 mm - (Kv 120,87) Flow factor

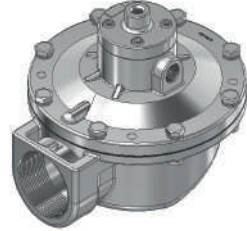
**Seal** Polymer N30000-7 (Nitrilico)

**Pressure Range** Min.7 PSI / Max.110 PSI

**Body** Aluminum (ASTM B211)

**Application** Compressed air

\* Other applications see compatibility

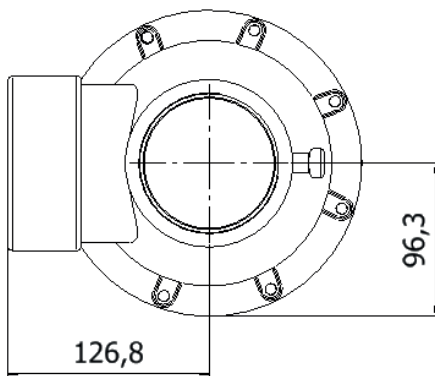
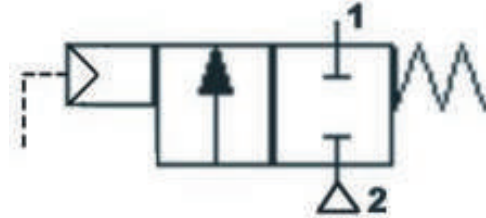


## Electrical Specifications

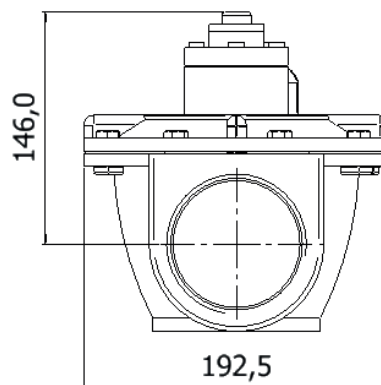
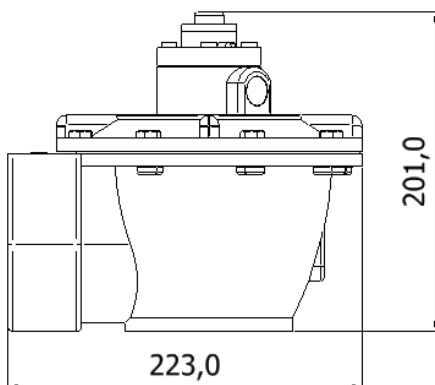
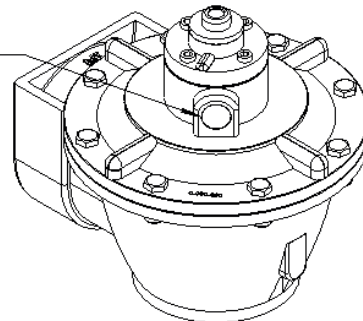
**Product Options**

Code 3"NPT

20978



R.3/8" NPT



REV.00

## General Specifications

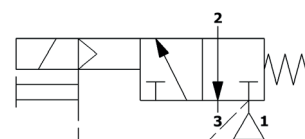
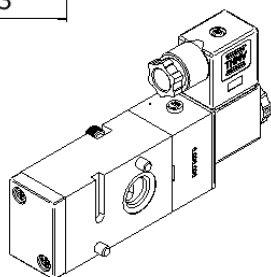
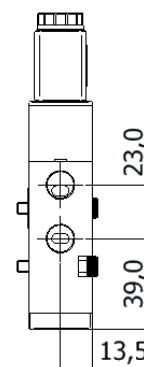
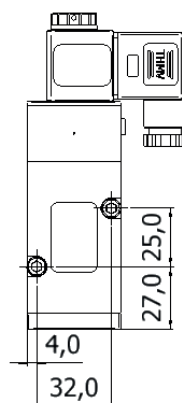
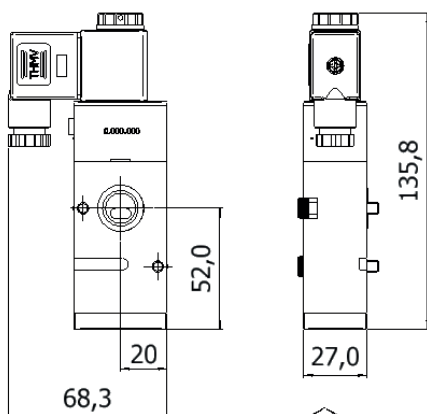
Ways/ Position	3/2- Normally Closed Way - Single Solenoid
Connection	Female 1/4"NPT / BSP - Input / Output - Namur
Orifice	Ø 6,0 mm - ( Kv 0,56 ) Flow factor
Seal	Polymer N30000-7 (Nitrilico)
Pressure Range	Min.21 PSI / Max.114 PSI
Body	Aluminum (ASTM B211) - Anodized surface
Application	Compressed air

\* Other applications, check compatibility



## Electrical Specifications

Products	Electrical Properties		
Code 1/4"BSP	Voltage	Wattage	Connection
20929 / 16443	12 Vcc	4 Watts	DIN 43650B
20928 / 15771	24 Vcc	4 Watts	DIN 43650B
20927 / 20147	24 V 50/60 Hz	11,0 VA	DIN 43650B
20926 / 15736	110/127 V 50/60 Hz	11,0 VA	DIN 43650B
20925 / 15741	220/240 V 50/60 Hz	11,0 VA	DIN 43650B





## General Specifications

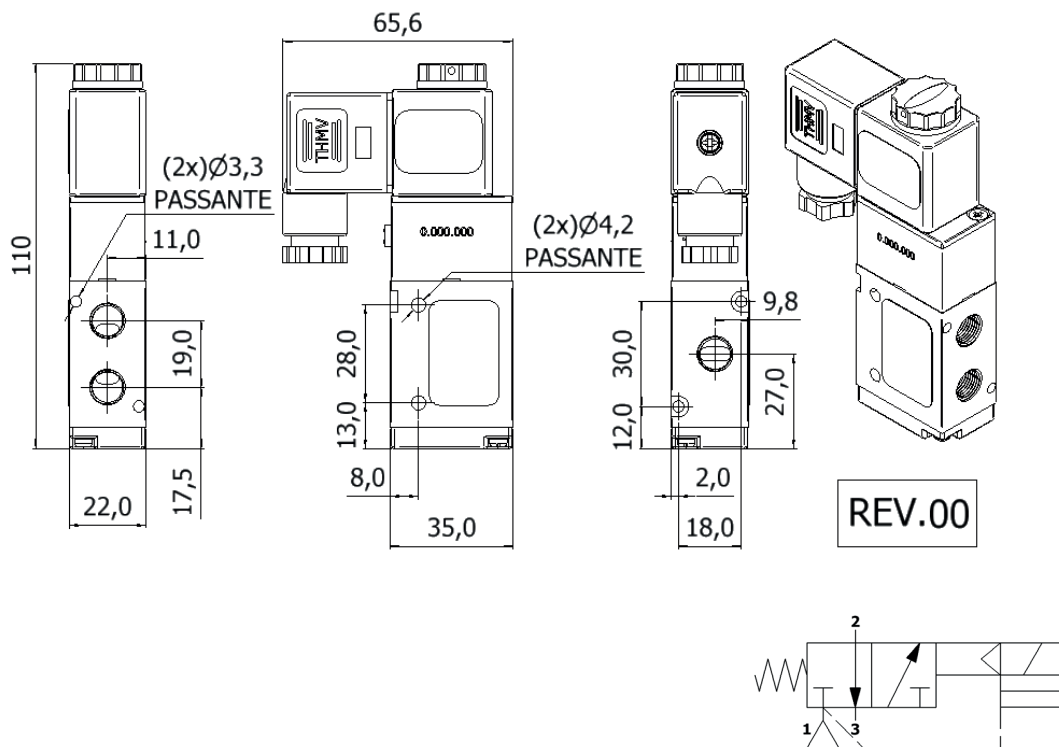
Ways/ Position	3/2- Normally Closed Way - Single Solenoid
Connection	Female 1/8"NPT / BSP - Input / Output Female 1/4"NPT / BSP - Input / Output
Orifice	Ø 6,0 mm - ( Kv 0,56 ) Flow factor
Seal	Polymer N30000-7 (Nitrilico)
Pressure Range	Min.21 PSI / Max.114 PSI
Body	Aluminum (ASTM B211) - Anodized surface
Application	Compressed air



\* Other applications see compatibility

## Electrical Specifications

Products		Electrical Properties		
Code 1/8"NPT / BSP	Code 1/4"NPT / BSP	Voltage	Wattage	Connection
20919 / 15134	20924 / 15138	12 Vcc	4 Watts	DIN 43650B
20918 / 15136	20923 / 15140	24 Vcc	4 Watts	DIN 43650B
20917 / 15455	20922 / 15449	24 V 50/60 Hz	11,0 VA	DIN 43650B
20916 / 15457	20921 / 15451	110/127 V 50/60 Hz	11,0 VA	DIN 43650B
20915 / 15459	20920 / 15453	220/240 V 50/60 Hz	11,0 VA	DIN 43650B



## General Specifications

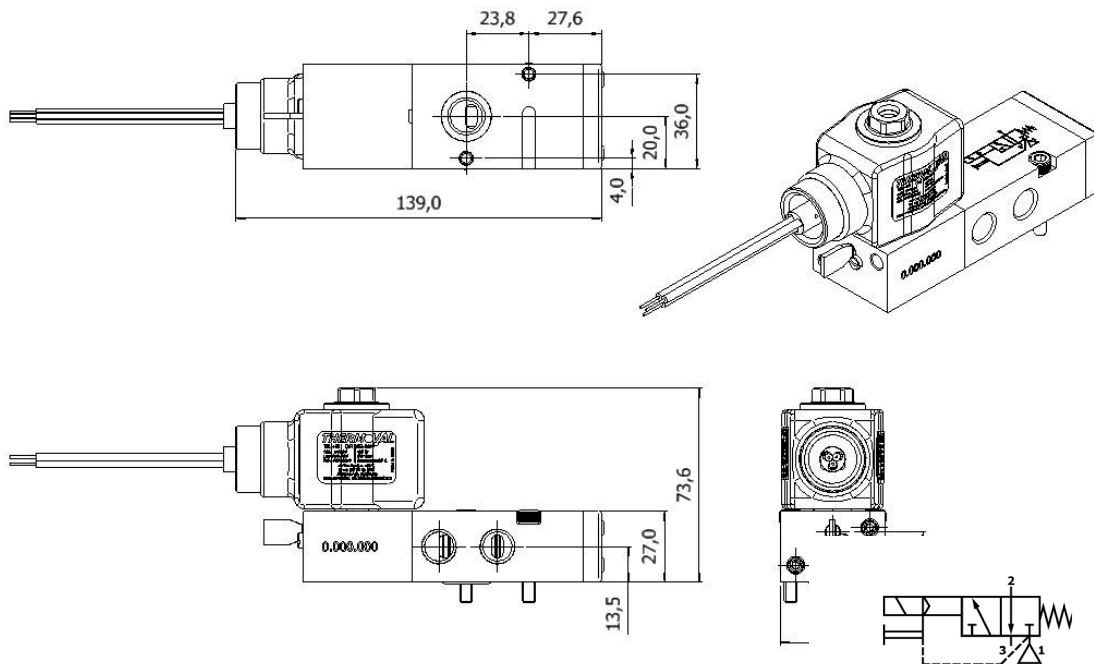
Ways/ Position	3/2 Single Way Solenoid
Connection	Female 1/4" BSP - Input / Output NAMUR
Orifice	Ø 6,0 mm - ( Kv 0,56 ) Flow factor.
Seal	Polymer N30000-7 (Nitrilico)
Pressure Range	Min.21 PSI / Max.114 PSI
Body	Aluminum (ASTM B211) - Anodized surface.
Application	Air/Oxygen



\* Other applications, check compatibility

## Electrical Specifications

Products	Electrical Properties		
Code 1/4" BSP	Voltage	Wattage	Connection
26622	12 Vcc	20 Watts	1/2" NPT with cable tin plated 150 + -10 (mm)
26623	24 Vcc	20 Watts	1/2" NPT with cable tin plated 150 + -10 (mm)
26624	24 V 50/60 Hz	20 Watts	1/2" NPT with cable tin plated 150 + -10 (mm)
26625	110/127 V 50/60 Hz	20 Watts	1/2" NPT with cable tin plated 150 + -10 (mm)
26626	220/240 V 50/60 Hz	20 Watts	1/2" NPT with cable tin plated 150 + -10 (mm)



## General Specifications

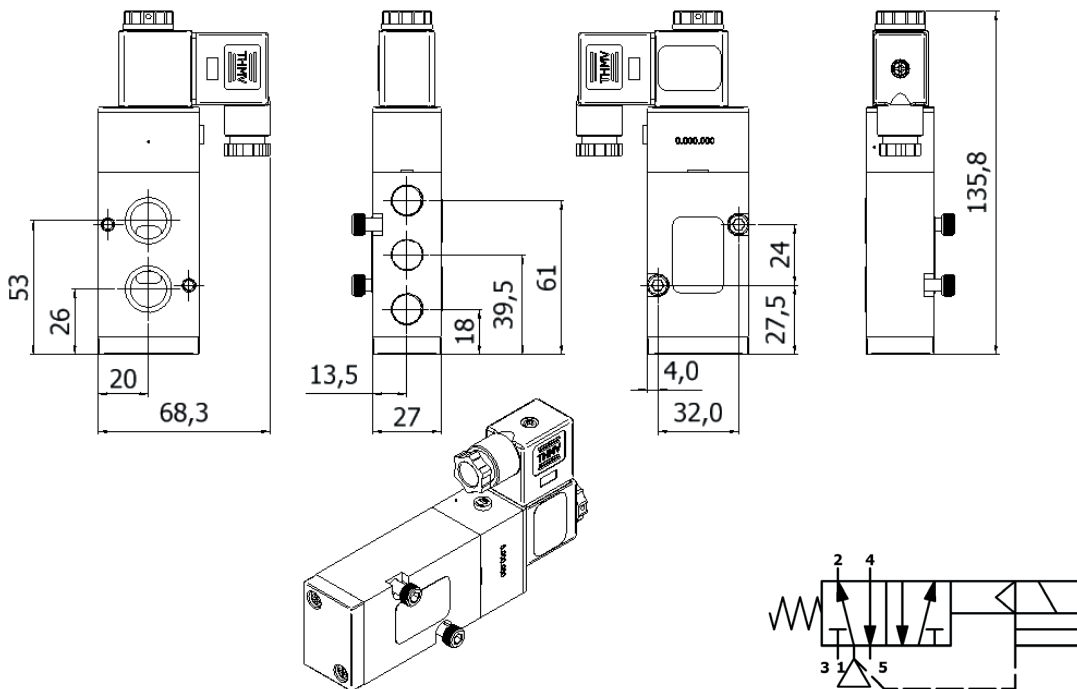
Ways/ Position	5/2- Single Way Solenoid
Connection	Female 1/4"NPT / BSP - Input / Output - Namur
Orifice	Ø 6,0 mm - ( Kv 0,56 ) Flow factor
Seal	Polymer N30000-7 (Nitrilico)
Pressure Range	Min.21 PSI / Max.114 PSI
Body	Aluminum (ASTM B211) - Anodized surface
Application	Air/Oxygen



\* Other applications see compatibility

## Electrical Specifications

Products	Electrical Properties		
Code 1/4"NPT / BSP	Voltage	Wattage	Connection
20944 / 14658	12 Vcc	4 Watts	DIN 43650B
20943 / 14659	24 Vcc	4 Watts	DIN 43650B
20942 / 14660	24 V 50/60 Hz	11,0 VA	DIN 43650B
20941 / 14661	110/127 V 50/60 Hz	11,0 VA	DIN 43650B
20940 / 14517	220/240 V 50/60 Hz	11,0 VA	DIN 43650B



## General Specifications

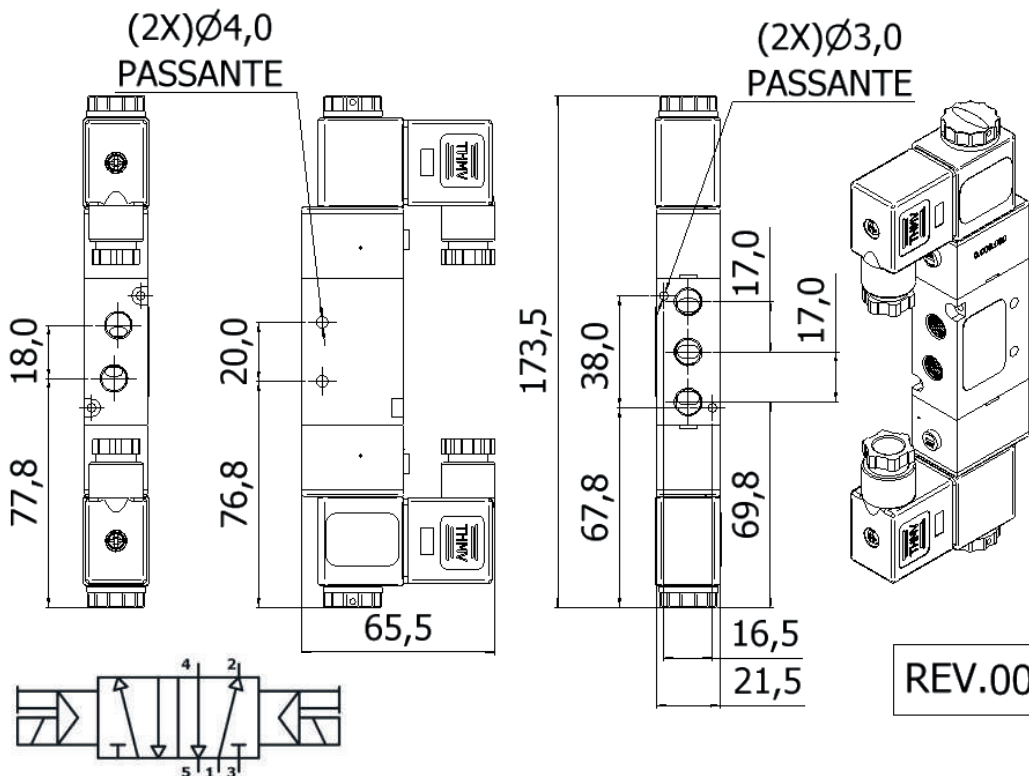
Ways/ Position	5/2- Dual Solenoid Ways
Connection	Female 1/8"NPT / BSP - Input / Output Female 1/4"NPT / BSP - Input / Output
Orifice	Ø 6,0 mm - ( Kv 0,56 ) Flow factor
Seal	Polymer N30000-7 (Nitrilico)
Pressure Range	Min.21 PSI / Max.114 PSI
Body	Aluminum (ASTM B211) - Anodized surface
Application	Compressed air



\* Other applications, check compatibility

## Electrical Specifications

Products		Electrical Properties		
Code 1/8"NPT / BSP	Code 1/4"NPT / BSP	Voltage	Wattage	Connection
20949 / 15429	20954 / 14667	12 Vcc	4 Watts	DIN 43650B
20948 / 15431	20953 / 14668	24 Vcc	4 Watts	DIN 43650B
20947 / 15433	20952 / 14669	24 V 50/60 Hz	11,0 VA	DIN 43650B
20946 / 15435	20951 / 14670	110/127 V 50/60 Hz	11,0 VA	DIN 43650B
20945 / 15437	20950 / 14671	220/240 V 50/60 Hz	11,0 VA	DIN 43650B



## General Specifications

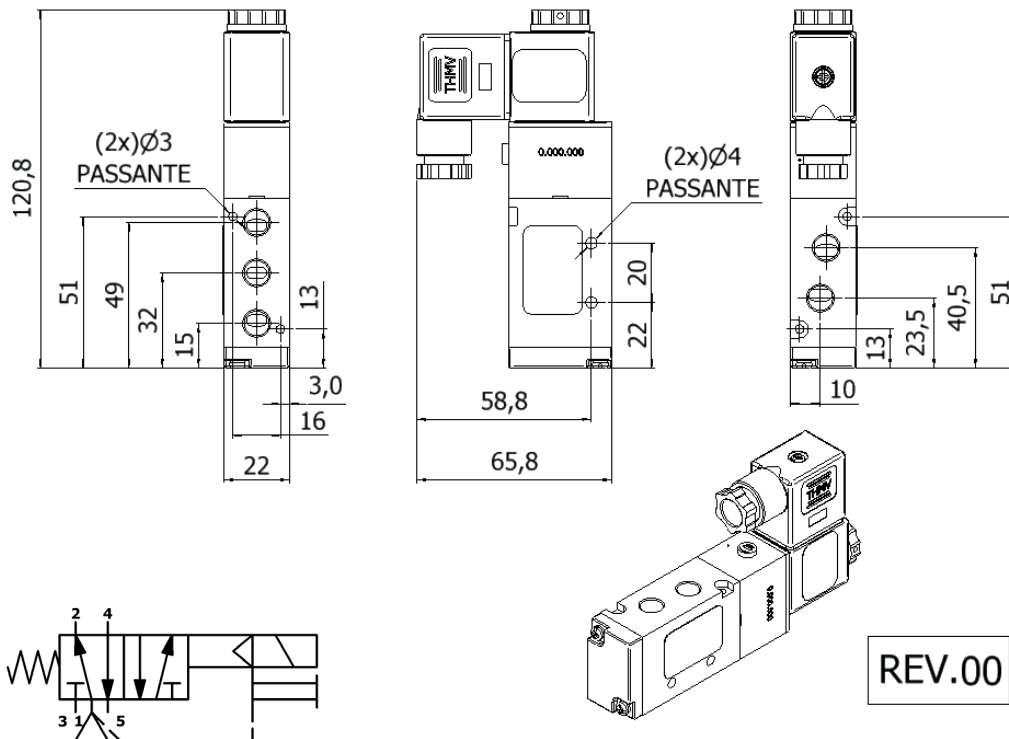
<b>Ways/ Position</b>	5/2- Normally Closed Way - Single Solenoid
<b>Connection</b>	Female 1/8"NPT / BSP - Input / Output Female 1/4"NPT / BSP - Input / Output
<b>Orifice</b>	Ø 6,0 mm - ( Kv 0,56 ) Flow factor
<b>Seal</b>	Polymer N30000-7 (Nitrilico)
<b>Pressure Range</b>	Min.21 PSI / Max.114 PSI
<b>Body</b>	Aluminum (ASTM B211) - Anodized surface
<b>Application</b>	Compressed air



\* Other applications see compatibility

## Electrical Specifications

Products		Electrical Properties		
Code 1/8"NPT / BSP	Code 1/4"NPT / BSP	Voltage	Wattage	Connection
20934 / 15439	20939 / 14662	12 Vcc	4 Watts	DIN 43650B
20933 / 15441	20938 / 14663	24 Vcc	4 Watts	DIN 43650B
20932 / 15443	20937 / 14664	24 V 50/60 Hz	11,0 VA	DIN 43650B
20931 / 15445	20936 / 14665	110/127 V 50/60 Hz	11,0 VA	DIN 43650B
20930 / 15447	20935 / 14666	220/240 V 50/60 Hz	11,0 VA	DIN 43650B



REV.00

## General Specifications

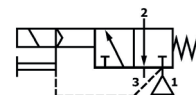
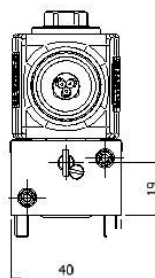
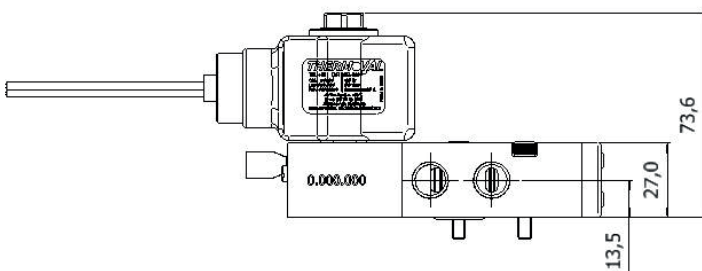
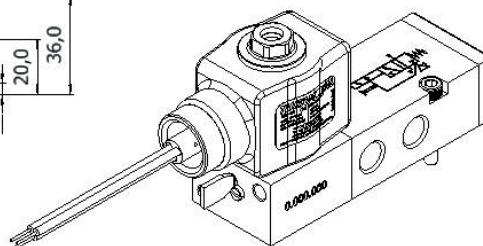
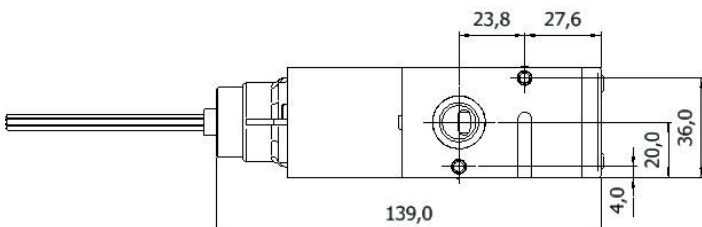
Ways/ Position	3/2- Vias - Simple Namur Solenoid
Connection	Female 1/4"NPT (ANSI B2.1) - Input / Output Namur
Orifice	Ø 6,0 mm - ( Kv 0,56 ) Flow factor
Seal	Nitrile rubber (NBR)
Pressure Range	Min.21 PSI / Max.114 PSI
Body	Anodized aluminium (ASTM B211)
Application	Compressed air



\* Other applications, check compatibility

## Electrical Specifications

Products	Electrical Properties		
1/4"NPT	Voltage	Wattage	Connection
25514	12 Vcc	20 Watts	Cabo Triplo
25515	24 Vcc	20 Watts	Cabo Triplo
25516	24 V 50/60 Hz	20 Watts	Cabo Triplo
25517	110/127 V 50/60 Hz	20 Watts	Cabo Triplo
25518	220/240 V 50/60 Hz	20 Watts	Cabo Triplo



## General Specifications

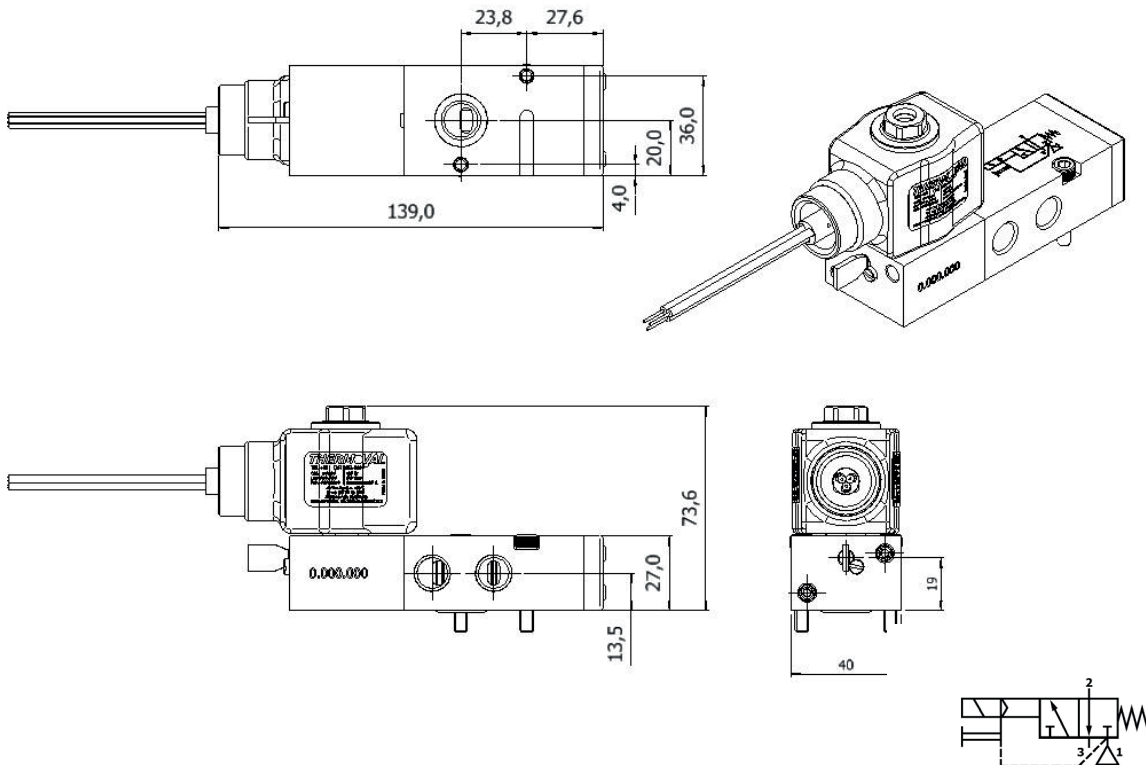
Ways/ Position	3/2- Vias - Simple Namur Solenoid
Connection	Female 1/4"NPT (ANSI B2.1) - Input / Output Namur
Orifice	Ø 6,0 mm - ( Kv 0,56 ) Flow factor
Seal	Nitrile rubber (NBR)
Pressure Range	Min.21 PSI / Max.114 PSI
Body	Anodized aluminium (ASTM B211)
Application	Compressed air



\* Other applications see compatibility

## Electrical Specifications

Products	Electrical Properties		
1/4"NPT	Voltage	Wattage	Connection
25502	12 Vcc	20 Watts	1/2" NPT with cable tin plated 150 + -10 (mm)
25471	24 Vcc	20 Watts	1/2" NPT with cable tin plated 150 + -10 (mm)
25503	24 V 50/60 Hz	20 Watts	1/2" NPT with cable tin plated 150 + -10 (mm)
25504	110/127 V 50/60 Hz	20 Watts	1/2" NPT with cable tin plated 150 + -10 (mm)
25505	220/240 V 50/60 Hz	20 Watts	1/2" NPT with cable tin plated 150 + -10 (mm)



## General Specifications

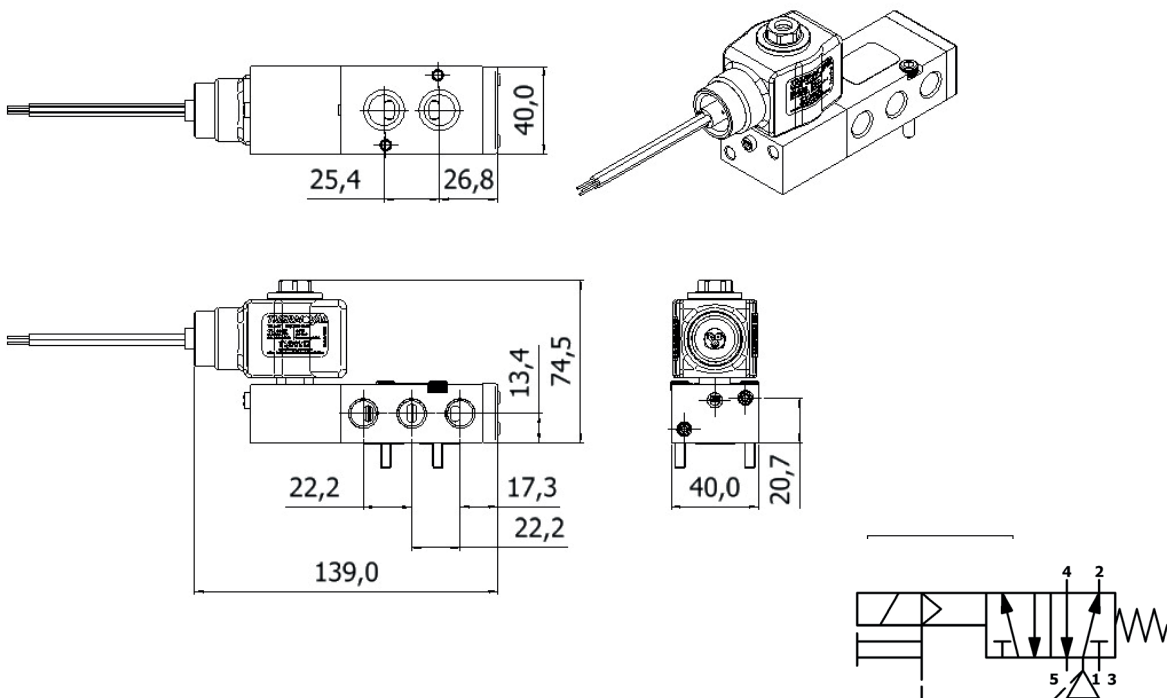
Ways/ Position	5/2 Single Way Solenoid
Connection	Female 1/4" BSP (ISO 228/1) - Input / Output Namur
Orifice	Ø 6,0 mm - ( Kv 0,56 ) Flow factor.
Seal	Nitrile rubber (NBR)
Pressure Range	Min.21 PSI / Max.114 PSI
Body	Anodized aluminium (ASTM B211)
Application	Air/Oxygen



\* Other applications, check compatibility

## Electrical Specifications

Products	Electrical Properties		
Code 1/4" BSP	Voltage	Wattage	Connection
26640	12 Vcc	20 Watts	1/2" NPT with cable tin plated 150 + -10 (mm)
26641	24 Vcc	20 Watts	1/2" NPT with cable tin plated 150 + -10 (mm)
26642	24 V 50/60 Hz	20 Watts	1/2" NPT with cable tin plated 150 + -10 (mm)
26643	110/127 V 50/60 Hz	20 Watts	1/2" NPT with cable tin plated 150 + -10 (mm)
26644	220/240 V 50/60 Hz	20 Watts	1/2" NPT with cable tin plated 150 + -10 (mm)





## General Specifications

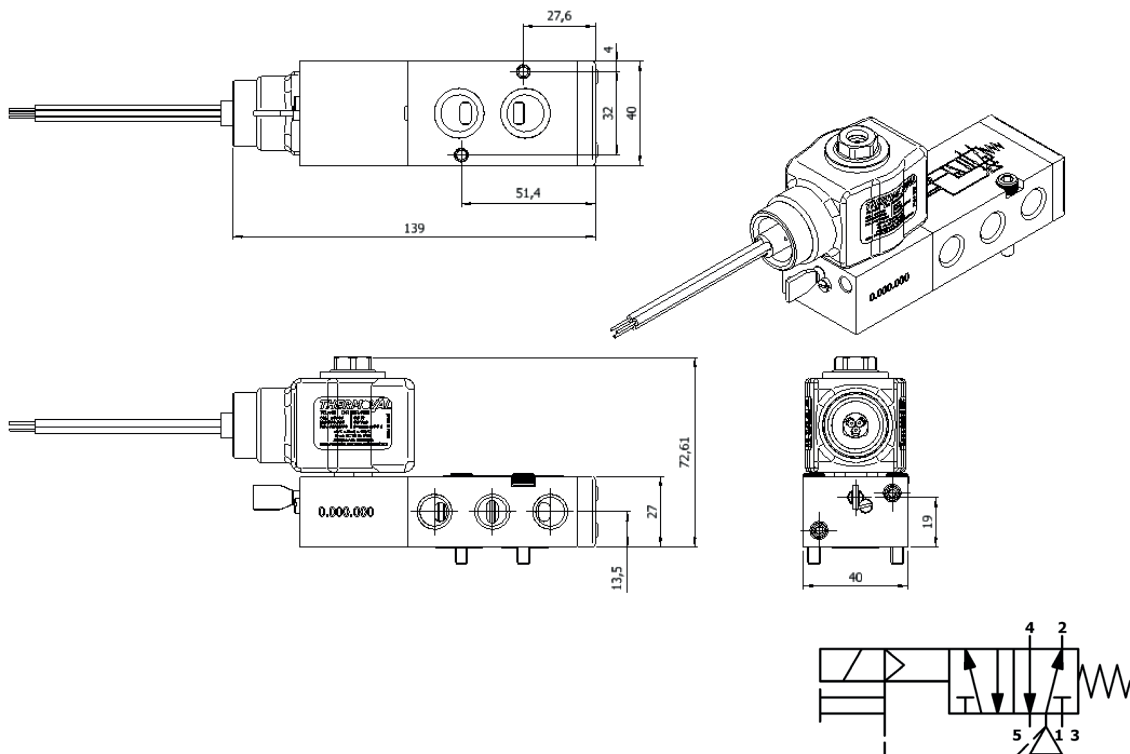
Ways/ Position	5/2 Single Way Solenoid
Connection	Female 1/4"NPT (ISO 228/1) - Input / Output Namur
Orifice	Ø 6,0 mm - ( Kv 0,56 ) Flow factor.
Seal	Nitrile rubber (NBR)
Pressure Range	Min.21 PSI / Max.114 PSI
Body	Anodized aluminium (ASTM B211)
Application	Air/Oxygen



\* Other applications see compatibility

## Electrical Specifications

Products	Electrical Properties		
Code 1/4"NPT	Voltage	Wattage	Connection
26598	12 Vcc	20 Watts	1/2" NPT with cable tin plated 150 + -10 (mm)
26638	24 Vcc	20 Watts	1/2" NPT with cable tin plated 150 + -10 (mm)
26599	24 V 50/60 Hz	20 Watts	1/2" NPT with cable tin plated 150 + -10 (mm)
26600	110/127 V 50/60 Hz	20 Watts	1/2" NPT with cable tin plated 150 + -10 (mm)
26601	220/240 V 50/60 Hz	20 Watts	1/2" NPT with cable tin plated 150 + -10 (mm)



## General Specifications

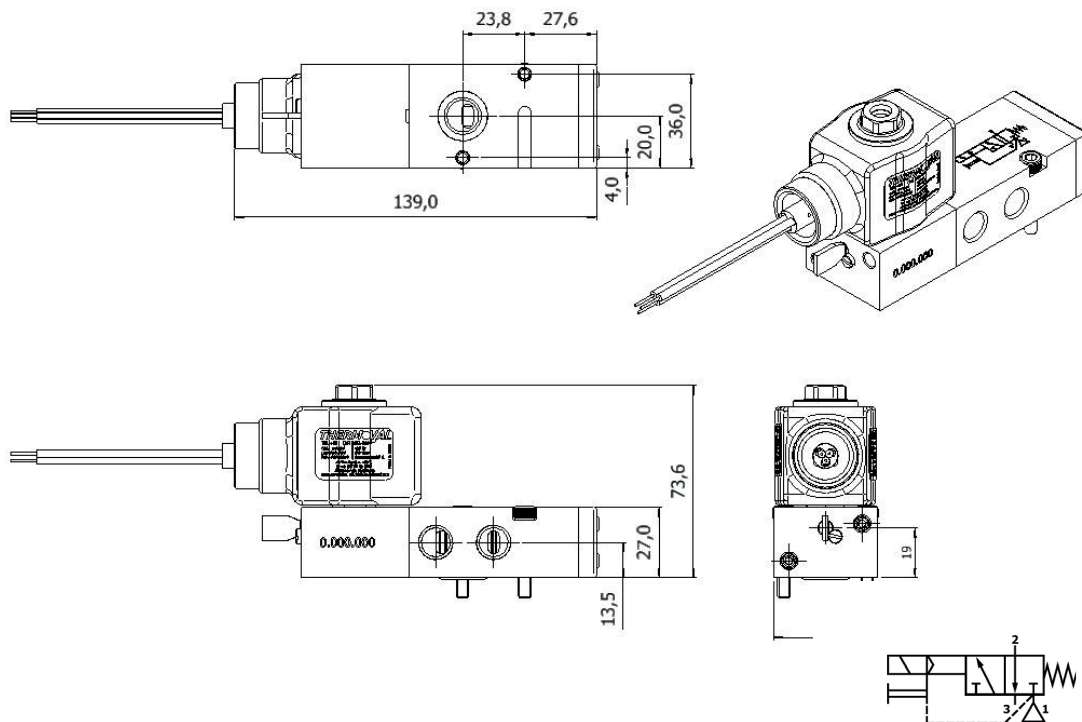
Ways/ Position	3/2 Single Way Solenoid
Connection	Female 1/4" NPT - Input / Output (Namura)
Orifice	Ø 6,0 mm - ( Kv 0,56 ) Flow factor.
Seal	Polymer N30000-7 (Nitrilico)
Pressure Range	Min.21 PSI / Max. 114 PSI
Body	Aluminum (ASTM B211) - Anodized surface.
Application	Air/Oxygen



\* Other applications, check compatibility

## Electrical Specifications

Products	Electrical Properties		
Code 1/4" NPT - Namur	Voltage	Wattage	Connection
27628	24 Vcc	1 Watts	1/2" NPT with cable tin plated 150 + -10 (mm)
28327	24 Vcc	1 Watts	1/2" NPT with cable tin plated 150 + -10 (mm)



## General Specifications

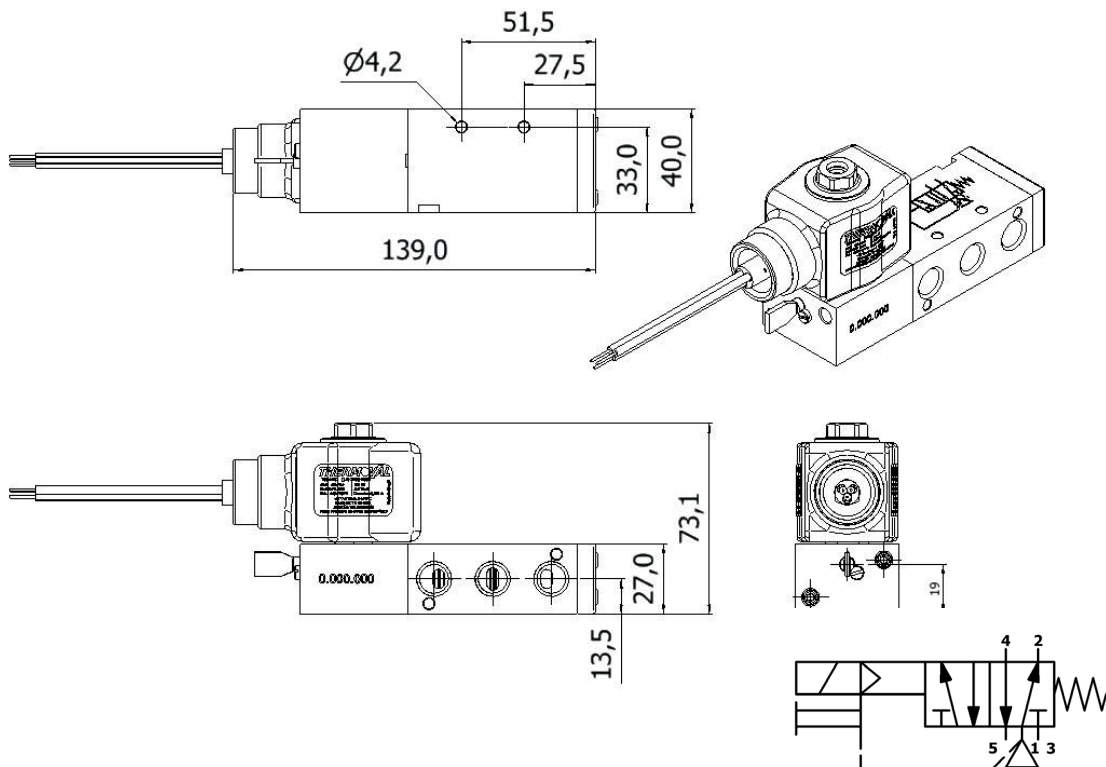
Ways/ Position	5/2 Single Way Solenoid
Connection	Female 1/4" BSP (ISO 228/1) - Input / Output
Orifice	Ø 6,0 mm - ( Kv 0,56 ) Flow factor.
Seal	Nitrile rubber (NBR)
Pressure Range	Min.21 PSI / Max.114 PSI
Body	Anodized aluminium (ASTM B211)
Application	Air/Oxygen



\* Other applications see compatibility

## Electrical Specifications

Products	Electrical Properties		
Code 1/4" BSP	Voltage	Wattage	Connection
26646	12 Vcc	20 Watts	1/2" NPT with cable tin plated 150 + -10 (mm)
26647	24 Vcc	20 Watts	1/2" NPT with cable tin plated 150 + -10 (mm)
26648	24 V 50/60 Hz	20 Watts	1/2" NPT with cable tin plated 150 + -10 (mm)
26649	110/127 V 50/60 Hz	20 Watts	1/2" NPT with cable tin plated 150 + -10 (mm)
26650	220/240 V 50/60 Hz	20 Watts	1/2" NPT with cable tin plated 150 + -10 (mm)



## General Specifications

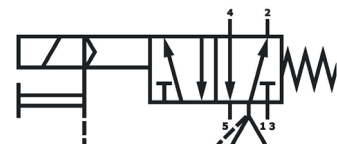
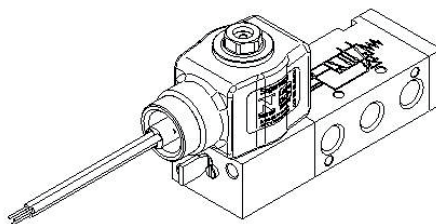
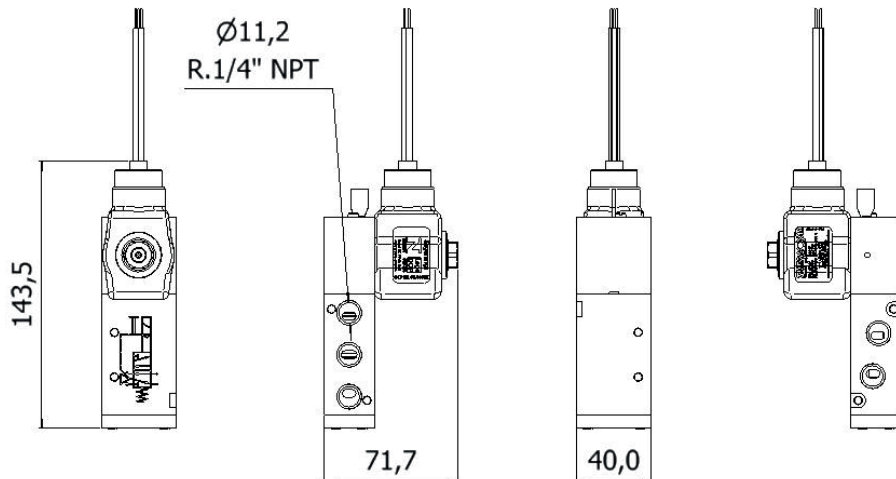
Ways/ Position	5/2 Single Way Solenoid
Connection	Female 1/4" BSP (ISO 228/1) - Input / Output
Orifice	Ø 6,0 mm - ( Kv 0,56 ) Flow factor.
Seal	Nitrile rubber (NBR)
Pressure Range	Min.21 PSI / Max.114 PSI
Body	Anodized aluminium (ASTM B211)
Application	Air/Oxygen



\* Other applications, check compatibility

## Electrical Specifications

Products	Electrical Properties		
Code 1/4" BSP	Voltage	Wattage	Connection
26618	12 Vcc	20 Watts	1/2" NPT with cable tin plated 150 + -10 (mm)
26129	24 Vcc	20 Watts	1/2" NPT with cable tin plated 150 + -10 (mm)
26619	24 V 50/60 Hz	20 Watts	1/2" NPT with cable tin plated 150 + -10 (mm)
26620	110/127 V 50/60 Hz	20 Watts	1/2" NPT with cable tin plated 150 + -10 (mm)
26621	220/240 V 50/60 Hz	20 Watts	1/2" NPT with cable tin plated 150 + -10 (mm)



## General Specifications

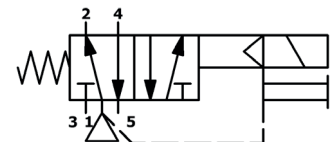
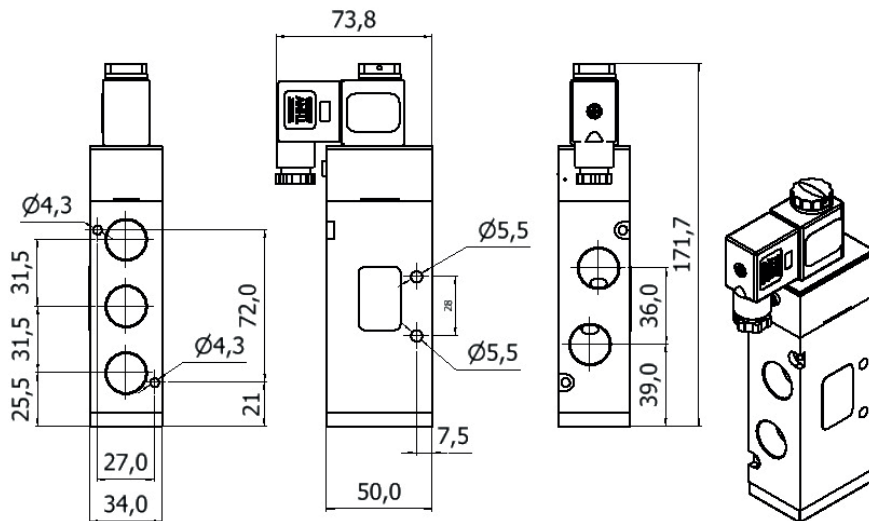
Ways/ Position	5/2 Single Way Solenoid
Connection	Female 1/2" BSP (ISO 228/1) - Input / Output
Orifice	Ø 10,0 mm - (Kv 1,95) Flow factor.
Seal	Nitrile rubber (NBR)
Pressure Range	Min.21 PSI / Max.114 PSI
Body	Anodized aluminium (ASTM B211)
Application	Air/Oxygen



\* Other applications see compatibility

## Electrical Specifications

Products	Electrical Properties		
Code 1/2" BSP	Voltage	Wattage	Connection
24086	12 Vcc	4 Watts	Connection Electric DIN 43650B - led opcional
24087	24 Vcc	4 Watts	Connection Electric DIN 43650B - led opcional
24088	24 V 50/60 Hz	4 Watts	Connection Electric DIN 43650B - led opcional
24089	110/127 V 50/60 Hz	4 Watts	Connection Electric DIN 43650B - led opcional
24090	220/240 V 50/60 Hz	4 Watts	Connection Electric DIN 43650B - led opcional



## General Specifications

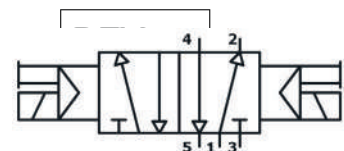
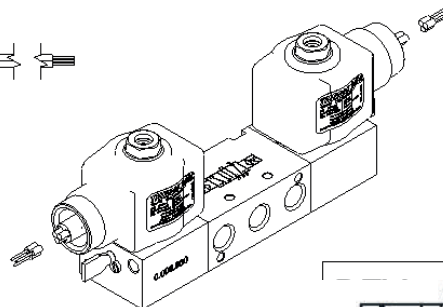
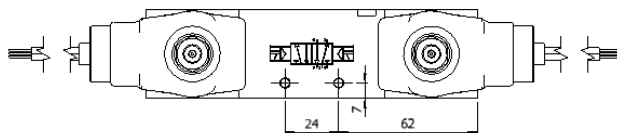
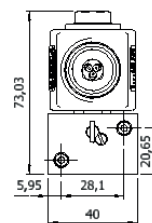
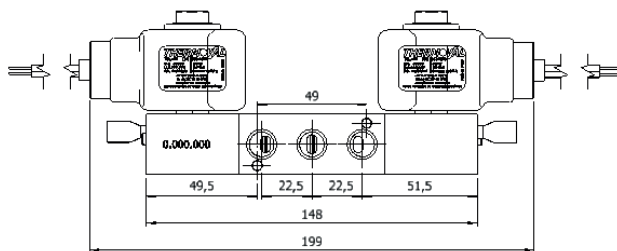
Ways/ Position	5/2 Single Way Solenoid
Connection	Female 1/4"NPT (ANSI B2.1) - Input / Output
Orifice	Ø 6,0 mm - ( Kv 0,56 ) Flow factor.
Seal	Nitrile rubber (NBR)
Pressure Range	Min.43 PSI / Max.145 PSI
Body	Anodized aluminium (ASTM B211)
Application	Air/Oxygen

\* Other applications, check compatibility



## Electrical Specifications

Products	Electrical Properties		
Code 1/4"NPT	Voltage	Wattage	Connection
27843	24 Vcc	20 Watts	1/2" NPT with cable tin plated 150 + -10 (mm)



## General Specifications

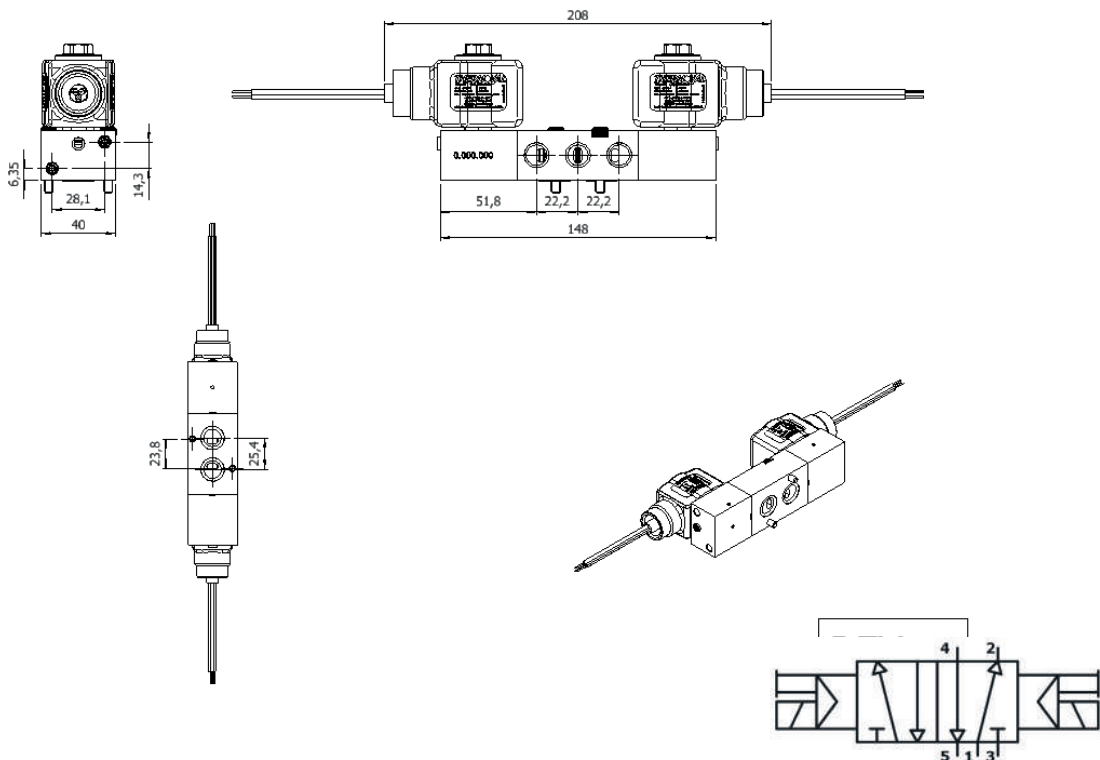
Ways/ Position	5/2 Single Way Solenoid
Connection	Female 1/4"NPT (ANSI B2.1) - Input / Output Namur
Orifice	Ø 6,0 mm - ( Kv 0,56 ) Flow factor.
Seal	Polymer N30000-7 (Nitrilico)
Pressure Range	Min.43 PSI / Max.145 PSI
Body	Anodized aluminium (ASTM B211)
Application	Air/Oxygen

\* Other applications see compatibility



## Electrical Specifications

Products	Electrical Properties		
Code 1/4"NPT	Voltage	Wattage	Connection
28219	24 Vcc	20 Watts	1/2" NPT with cable tin plated 150 + -10 (mm)



## General Specifications

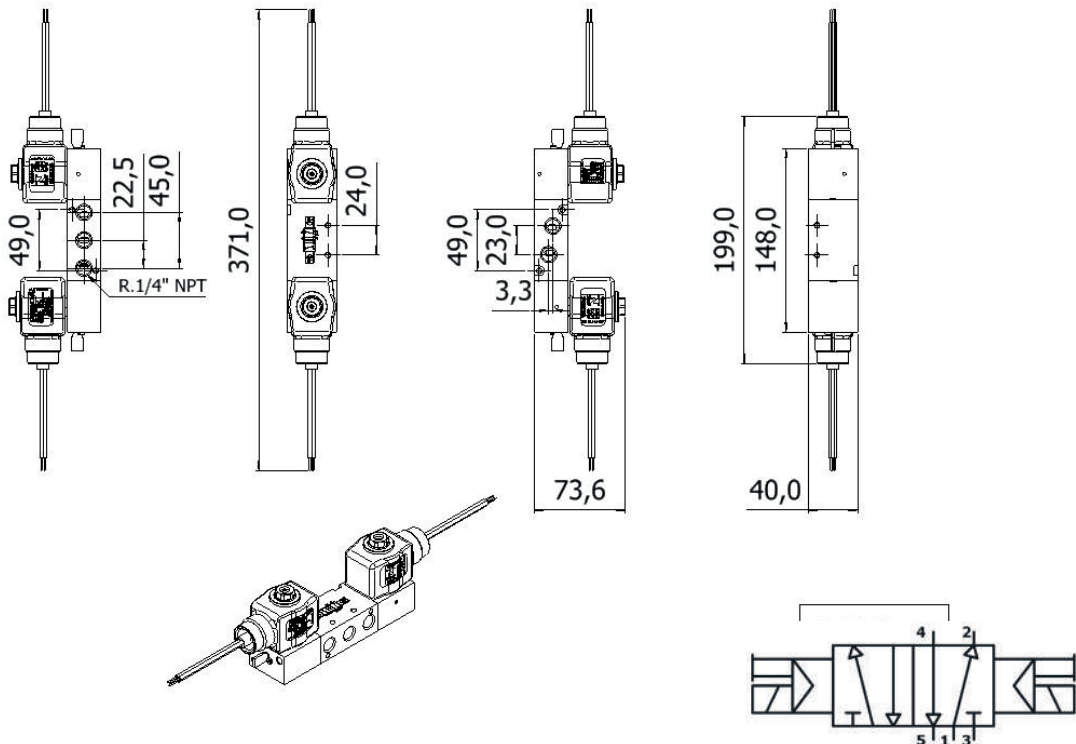
Ways/ Position	5/2 Single Way Solenoid
Connection	Female 1/4"NPT (ANSI B2.1) - Input / Output Namur
Orifice	Ø 6,0 mm - ( Kv 0,56 ) Flow factor.
Seal	Polymer N30000-7 (Nitrilico)
Pressure Range	Min.43 PSI / Max.145 PSI
Body	Stainless steel (AISI 316).
Application	Air/Oxygen

\* Other applications, check compatibility



## Electrical Specifications

Products	Electrical Properties		
Code 1/4"NPT	Voltage	Wattage	Connection
28319	12 Vcc	1 Watts	1/2" NPT with cable tin plated 150 + -10 (mm)
28320	24 Vcc	1 Watts	1/2" NPT with cable tin plated 150 + -10 (mm)





## General Specifications

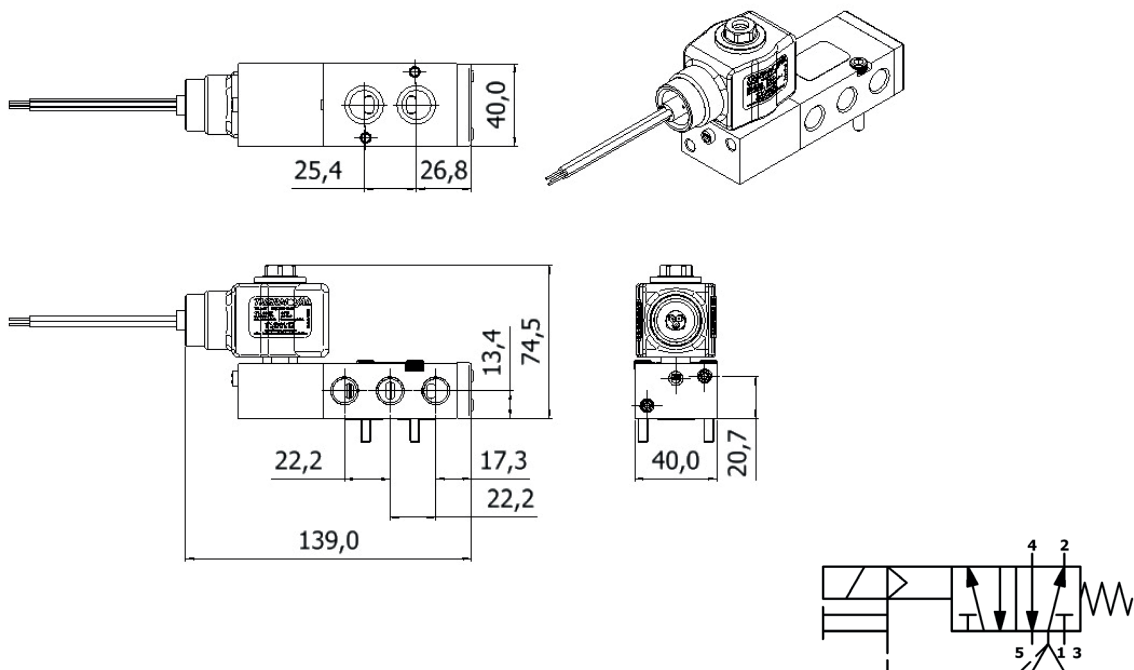
Ways/ Position	5/2 Single Way Solenoid
Connection	Female 1/4"NPT (ANSI B2.1) - Input / Output Namur
Orifice	Ø 6,0 mm - ( Kv 0,56 ) Flow factor.
Seal	Seal- Polymer N30000-7 (Nitrilico)
Pressure Range	Min.21 PSI / Max.114 PSI
Body	Stainless steel (AISI 316).
Application	Air/Oxygen

\* Other applications see compatibility



## Electrical Specifications

Products	Electrical Properties		
Code 1/4"NPT	Voltage	Wattage	Connection
25649	220/240 V 50/60 Hz	20 Watts	1/2" NPT with cable tin plated 150 + -10 (mm)



## General Specifications

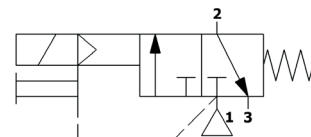
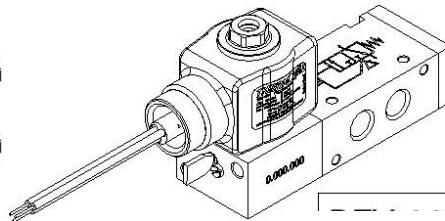
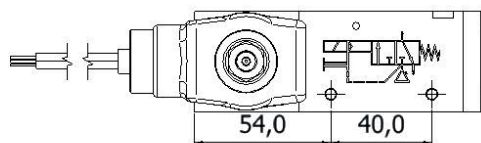
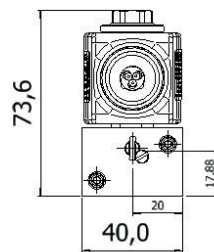
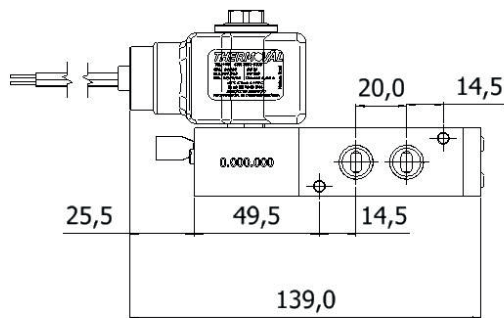
Ways/ Position	3/2 Single Way Solenoid
Connection	Female 1/4"NPT (ANSI B2.1) - Input / Output
Orifice	Ø 6,0 mm - ( Kv 0,56 ) Flow factor.
Seal	Seal- Polymer N30000-7 (Nitrilico)
Pressure Range	Min.43 PSI / Max.145 PSI
Body	Stainless steel (AISI 316).
Application	Air/Oxygen



\* Other applications, check compatibility

## Electrical Specifications

Products	Electrical Properties		
Code 1/4"NPT	Voltage	Wattage	Connection
28089	24 Vcc	1 Watts	1/2" NPT with cable tin plated 150 + -10 (mm)



## General Specifications

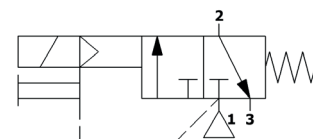
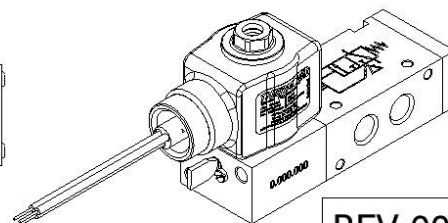
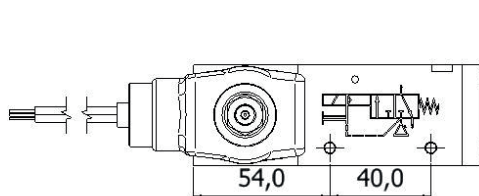
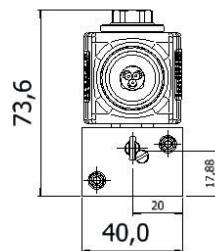
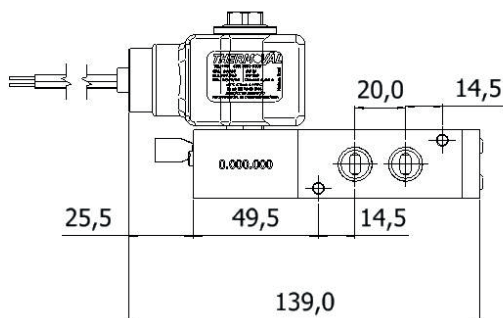
Ways/ Position	3/2 Single Way Solenoid
Connection	Female 1/2"NPT (ANSI B2.1) - Input / Output
Orifice	Ø 6,0 mm - ( Kv 0,56 ) Flow factor.
Seal	Seal- Polymer N30000-7 (Nitrilico)
Pressure Range	Min.43 PSI / Max.145 PSI
Body	Stainless steel (AISI 316).
Application	Air/Oxygen

\* Other applications see compatibility



## Electrical Specifications

Products	Electrical Properties		
Code 1/2"NPT	Voltage	Wattage	Connection
28086	24 Vcc	1 Watts	1/2" NPT with cable tin plated 150 + -10 (mm)



## General Specifications

**Ways/ Position** 2/2- Servo Operated Normally Closed Routes Piston

**Connection** Female 1/2"NPT / BSP - Input / Output

**Orifice** Ø 17,0 mm - (Kv 5,28) Flow factor

**Seal** Teflon (PTFE)

**Pressure Range** Min.15 PSI / Max.150 PSI

**Body** Brass (ASTM B16)

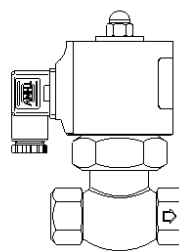
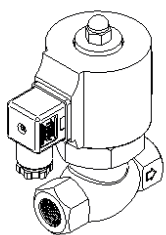
**Application** Steam (<180 °C)

\* Other applications, check compatibility

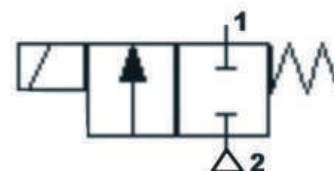
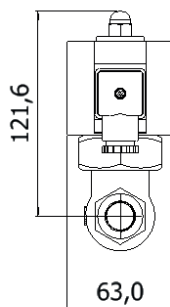
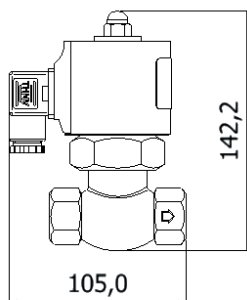


## Electrical Specifications

Products		Electrical Properties		
Code 1/2"NPT	Code 1/2"NPT	Voltage	Wattage	Connection
20869	14672	12 Vcc	30 Watts	DIN 43650A
20870	14673	24 Vcc	30 Watts	DIN 43650A
20871	14674	24 V 50/60 Hz	30 Watts	DIN 43650A
20872	14675	110/127 V 50/60 Hz	30 Watts	DIN 43650A
20873	14676	220/240 V 50/60 Hz	30 Watts	DIN 43650A



POSIÇÃO DE INSTALAÇÃO DA VÁLVULA, BOBINA NA VERTICAL



## General Specifications

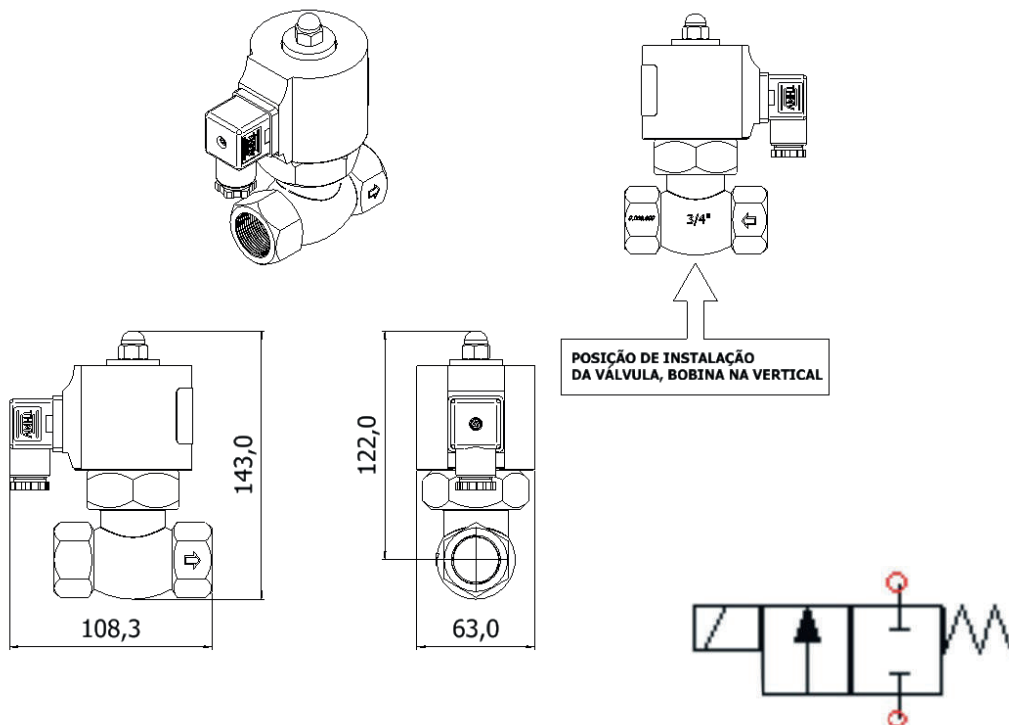
Ways/ Position	2/2- Servo Operated Normally Closed Routes Piston
Connection	Female 3/4" NPT / BSP - Input / Output
Orifice	Ø 17,0 mm - (Kv 5,28) Flow factor
Seal	Teflon (PTFE)
Pressure Range	Min.15 PSI / Max.150 PSI
Body	Brass (ASTM B16)
Application	Steam (<180 °C)

\* Other applications see compatibility



## Electrical Specifications

Products		Electrical Properties		
Code 1/2" NPT	Code 1/2" NPT	Voltage	Wattage	Connection
20874	14677	12 Vcc	30 Watts	DIN 43650A
20875	14678	24 Vcc	30 Watts	DIN 43650A
20876	14679	24 V 50/60 Hz	30 Watts	DIN 43650A
20877	14680	110/127 V 50/60 Hz	30 Watts	DIN 43650A
20878	14681	220/240 V 50/60 Hz	30 Watts	DIN 43650A



## General Specifications

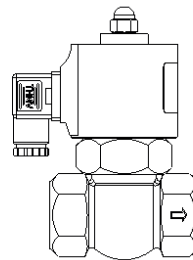
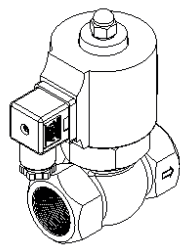
Ways/ Position	2/2- Servo Operated Normally Closed Routes Piston
Connection	Female 1" NPT / BSP - Input / Output
Orifice	Ø 22,0 mm - (Kv 9,85) Flow factor
Seal	Teflon (PTFE)
Pressure Range	Min.15 PSI / Max.150 PSI
Body	Brass (ASTM B16)
Application	Steam (<180 °C)

\* Other applications, check compatibility

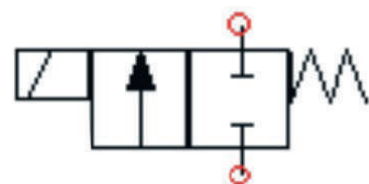
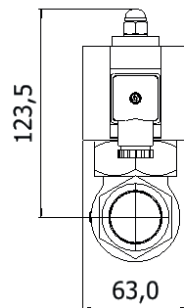
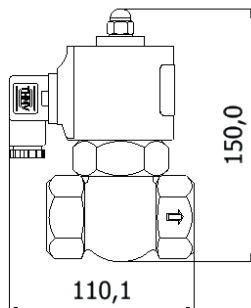


## Electrical Specifications

Products		Electrical Properties		
Code 1" NPT	Code 1" BSP	Voltage	Wattage	Connection
20879	14685	12 Vcc	30 Watts	DIN 43650A
20880	14686	24 Vcc	30 Watts	DIN 43650A
20881	14687	24 V 50/60 Hz	30 Watts	DIN 43650A
20882	14688	110/127 V 50/60 Hz	30 Watts	DIN 43650A
20883	14689	220/240 V 50/60 Hz	30 Watts	DIN 43650A



POSIÇÃO DE INSTALAÇÃO DA VÁLVULA, BOBINA NA VERTICAL.



## General Specifications

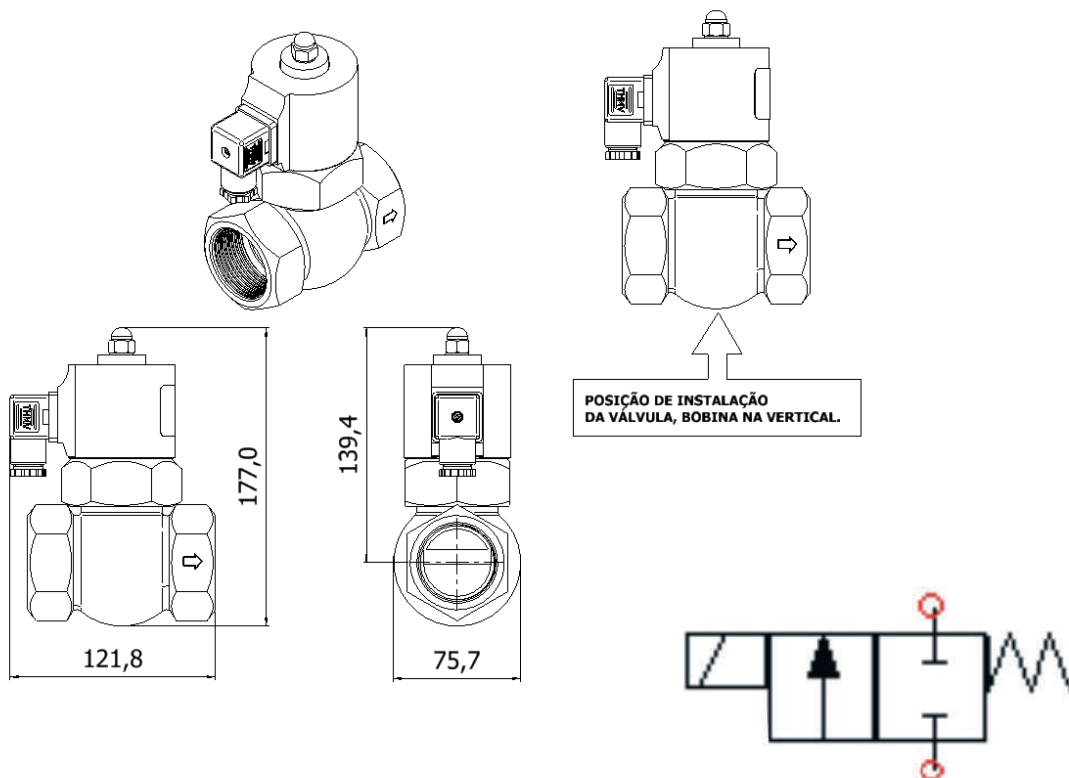
Ways/ Position	2/2- Servo Operated Normally Closed Routes Piston
Connection	Female 1.1/2"NPT / BSP - Input / Output
Orifice	Ø 30,0 mm - (Kv 13,76) Flow factor
Seal	Teflon (PTFE)
Pressure Range	Min.15 PSI / Max.150 PSI
Body	Brass (ASTM B16)
Application	Steam (<180 °C)

\* Other applications see compatibility



## Electrical Specifications

Products		Electrical Properties		
Code 1.1/2"NPT	Code 1.1/2"BSP	Voltage	Wattage	Connection
20884	14704	12 Vcc	30 Watts	DIN 43650A
20885	14705	24 Vcc	30 Watts	DIN 43650A
20886	14706	24 V 50/60 Hz	30 Watts	DIN 43650A
20887	14707	110/127 V 50/60 Hz	30 Watts	DIN 43650A
20888	14708	220/240 V 50/60 Hz	30 Watts	DIN 43650A



## General Specifications

**Ways/ Position** 2/2- Servo Operated Normally Closed Routes Piston

**Connection** Female 2"NPT / BSP - Input / Output

**Orifice** Ø 50,0 mm - (Kv 40,8) Flow factor

**Seal** Teflon (PTFE)

**Pressure Range** Min.15 PSI / Max.150 PSI

**Body** Brass (ASTM B16)

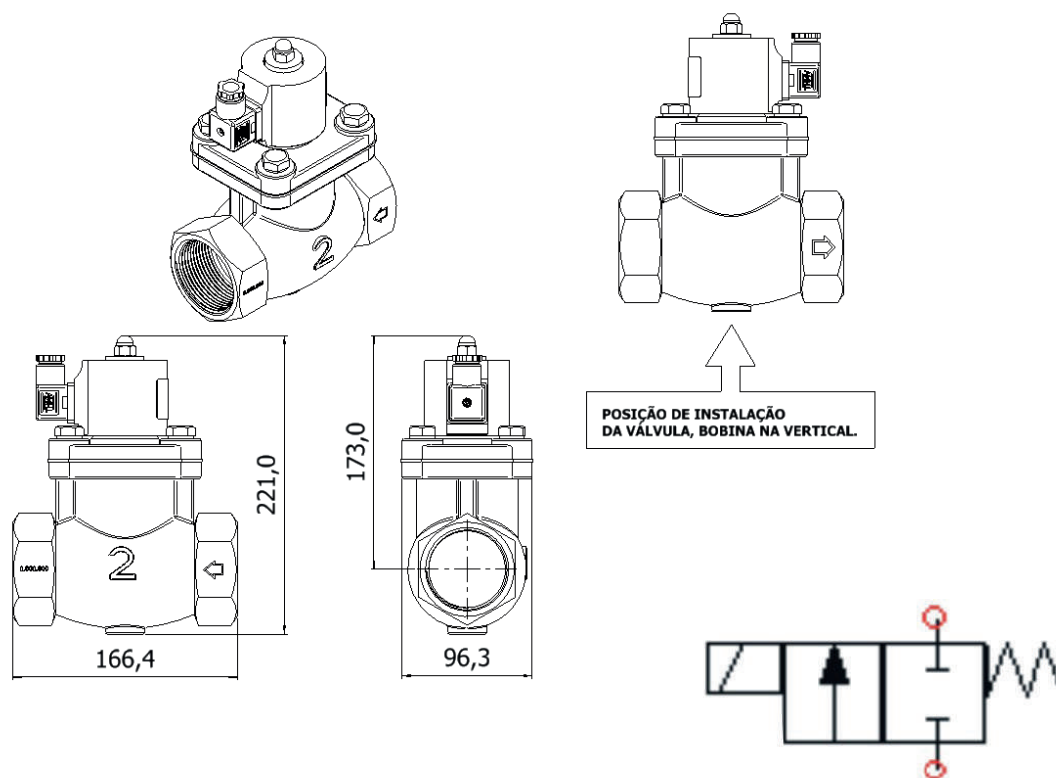
**Application** Steam (<180 °C)

\* Other applications, check compatibility



## Electrical Specifications

Products		Electrical Properties		
Code 1.1/2"NPT	Code 1.1/2"BSP	Voltage	Wattage	Connection
20889	14709	12 Vcc	30 Watts	DIN 43650A
20890	14710	24 Vcc	30 Watts	DIN 43650A
20891	14711	24 V 50/60 Hz	30 Watts	DIN 43650A
20892	14712	110/127 V 50/60 Hz	30 Watts	DIN 43650A
20893	14713	220/240 V 50/60 Hz	30 Watts	DIN 43650A





## General Specifications

Ways / Position	Position Monitor
Connection	Cable press with diameters from 5 to 10 mm.
Seal	Nitrile rubber (NBR)
Cover	Polycarbonate
Body	PPS with 40% fiber
Application	Industrial Valves Monitoring



\* Other applications see compatibility

## Electrical Properties

### Code 19200

Mechanical Sensors SPDT  
 125/250 Vca 10A  
 Initial Contact Resistance: 30 mW máx.  
 Insulation resistance: 100mW mín. a 500 VCC/  
 Dielectric strength: 1000 VCA -1 Minute between open contacts  
 1500 VCA-1 minute between terminals and Body  
 Operating Temperature: -20°~85° C  
 Borne Mod.808 MD with 8 terminals

### Code 20000

Reed Switch - SPDT  
 Max. Switching Voltage: 250 V  
 Dielectric strength Mín. between Contacts: 500 VCC  
 Max. Switching Current: 0,5 A  
 Max Initial Contact Resistance.: 75 mOhms  
 Operating Temperature: -20°~85° C  
 Connectors: Borne Model 808 MD with 8 terminals

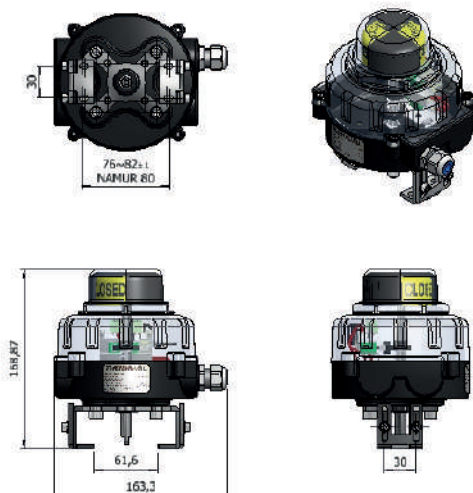
### Code 20001

Network Communication Module AS-i 3.0  
 AS-Interface Profile  
 Address: 1A-31A, 1B-31B(62)  
 Home Address: 1A  
 INPUT (4/In)  
 0 - Internal HALL sensor for closing (Upper Position)  
 1- Internal HALL sensor for opening (Lower Position)  
 2 and 3- 1mA, 24VDC for SPST dry contact on gold,  
 low power consumption or inductive sensors  
 CURRENT CONSUMPTION  
 No active inputs and outputs: 11,0mA±3%  
 OPERATING VOLTAGE  
 29,5-31,6 VDC AS-INTERFACE  
 RECOMMENDATION  
 4 inputs, 2 network outputs, LEDs

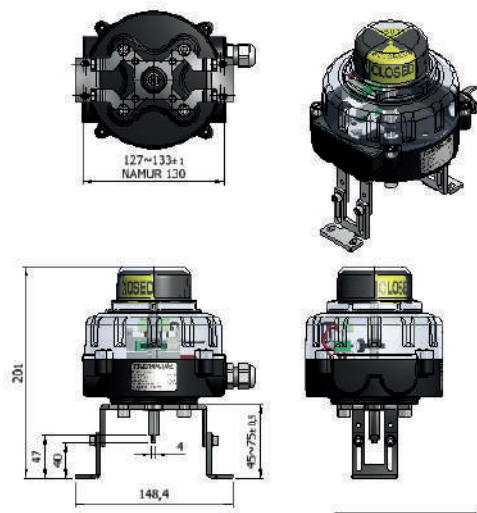
### Code 20002

Reed Switch - SPDT  
 Max. Switching Voltage: 500 VCC ou 240 VCA  
 Dielectric strength Mín. between Contacts: 1000 VCC  
 Max. Switching Current: 3 A  
 Max Initial Contact Resistance.: 500 mOhms  
 Connectors: Borne Model 808 MD with 8 terminals

### POSIÇÃO A



### POSIÇÃO B



## General Specifications

Ways / Position	Position Monitor
Connection	Cable press with diameters from 5 to 10 mm.
Seal	Nitrile rubber (NBR)
Cover	Polycarbonate
Body	PPS with 40% fiber
Application	Industrial Valves Monitoring



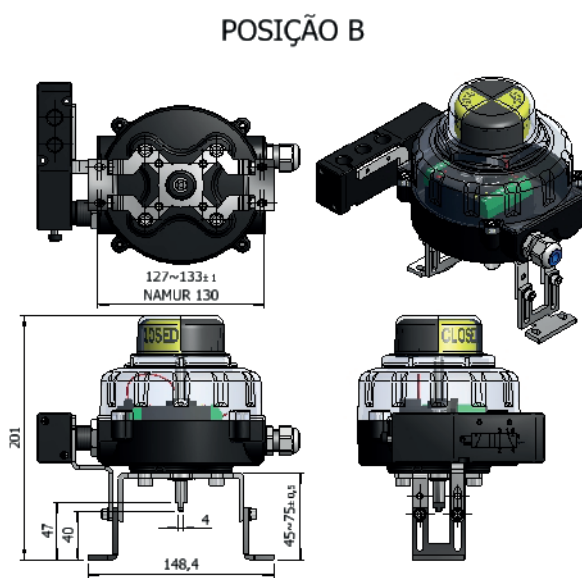
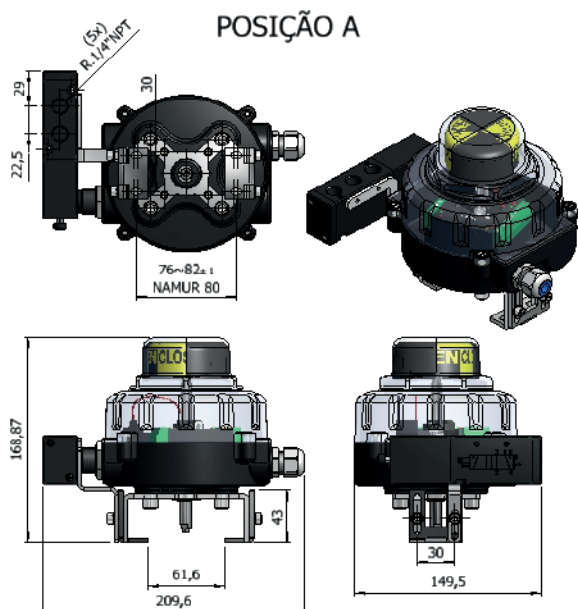
\* Other applications see compatibility

## Electrical Properties

Code 21981

Network Communication Module AS-i 3.0  
AS-Interface Profile  
Address: 1A-31A, 1B-31B(62)  
Home Address: 1A  
INPUT (4/In)

0 - Internal HALL sensor for closing (Upper Position)  
1 - Internal HALL sensor for opening (Lower Position)  
2 and 3- 1mA, 24VDC for SPST dry gold contact, low power consumption or inductive sensors  
CURRENT CONSUMPTION  
No active inputs and outputs: 11,0mA±3%  
OPERATING VOLTAGE  
29,5-31,6 VDC AS-INTERFACE  
RECOMMENDATION  
4 inputs, 2 network outputs, Power LEDs  
Operating Temperature  
-40°C ~ +85°C



MAPEAMENTO BINÁRIO	ENTRADA BIT				SAÍDA BIT			
Entrada / Saída	0	1	2	3	0	1	2	3
Sem entrada ou Saída ativada	0	0	0	0				
Válvula fechada (Entrada 0, Sensor Superior)	1	0	0	0				
Válvula aberta (Entrada 1, Sensor Inferior)	0	1	0	0				
Entrada 2 (Externa)	0	0	1	0				
Entrada 3 (Externa)	0	0	0	1				
Saída 1					1	0	0	0
Saída 2					0	1	0	0

**AJUSTE DA CHAVE DIP PARA PERMUTABILIDADE**

INTERRUPTOR	1	2	3	4	5	6	7	8
ALGA WESTLOCK	ON	ON			ON	ON		
TOPWORX T.SERIES	ON	ON			ON	ON		
TOPWORX D.SERIES	ON	ON			ON	ON		
PEPPERL FUCHS	ON							
STONEL		ON			ON	ON		
SENSE	ON							

Nota: Através dos DIP Switches existentes na placa ThermoVal AS-i é possível substituir facilmente produtos já instalados ou expandir uma rede existente de forma simples e rápida, sem qualquer necessidade de alterações na configuração do PCL / DCS.

REV.00

## General Specifications

Ways/ Position	Position Monitor
Connection	Screw thread Female 1/2" NPT (ANSI B2.1)
Seal	Nitrile rubber (NBR)
Cover	AISI 316 stainless steel microcast (CF-8M)
Body	AISI 316 stainless steel microcast (CF-8M)
Application	Industrial Valves Monitoring

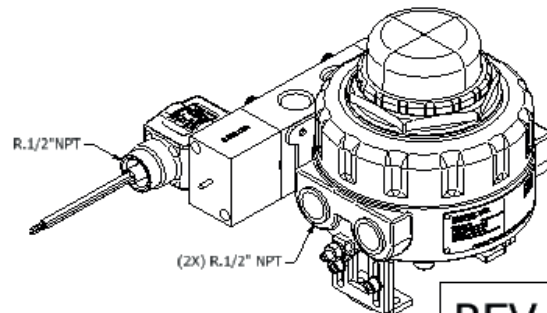
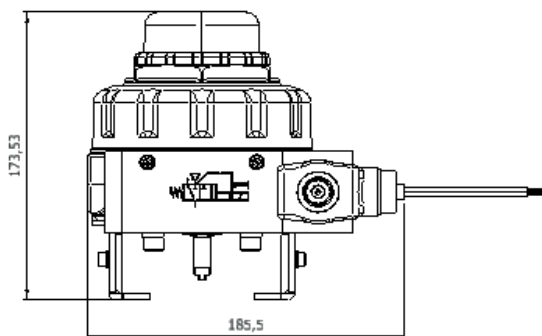
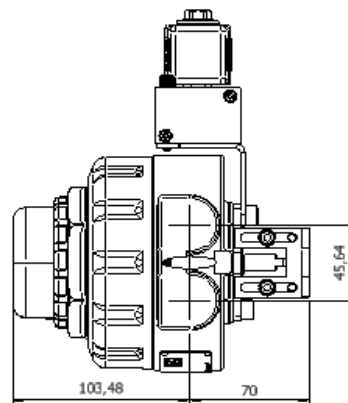
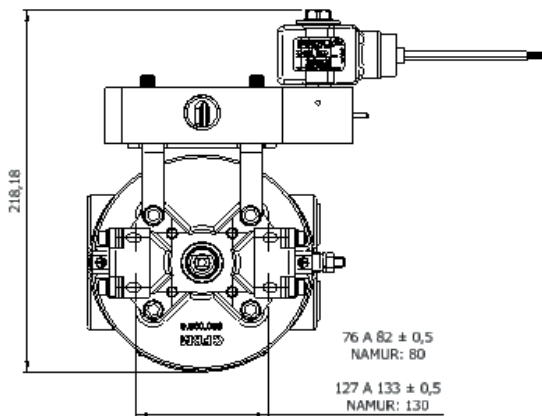


\* Other applications see compatibility

## Electrical Properties

Code 27126

Reed Switch - SPDT  
 Max. Switching Voltage: 500 VCC ou 240 VCA  
 Dielectric strength Min. between Contacts: 1000 VCC  
 Max. Switching Current: 3 A  
 Max Initial Contact Resistance.: 500 mOhms  
 Connectors: Borne Model 808 MD with 8 terminals  
 NOT APPLICABLE

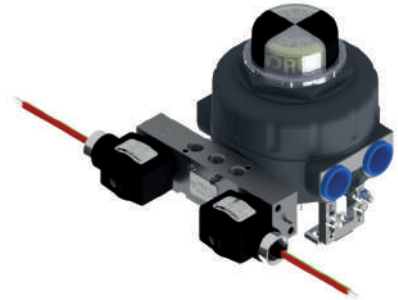


REV.00

## General Specifications

Ways/ Position	Position Monitor
Connection	Screw thread Female 3/4" NPT (ANSI B2.1)
Seal	Nitrile rubber (NBR)
Cover	AISI 316 stainless steel microcast (CF-8M)
Body	AISI 316 stainless steel microcast (CF-8M)
Application	Industrial Valves Monitoring

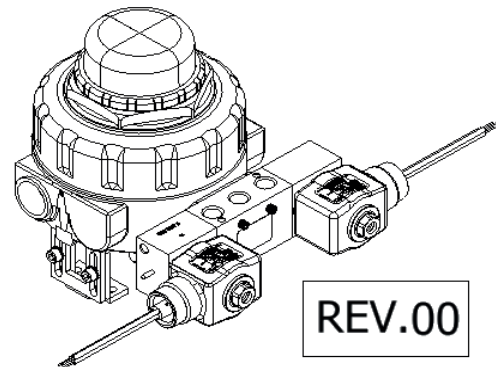
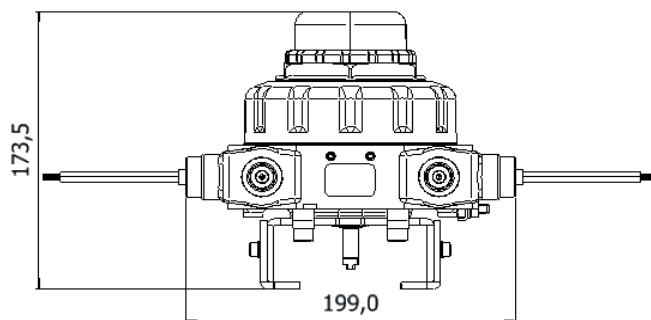
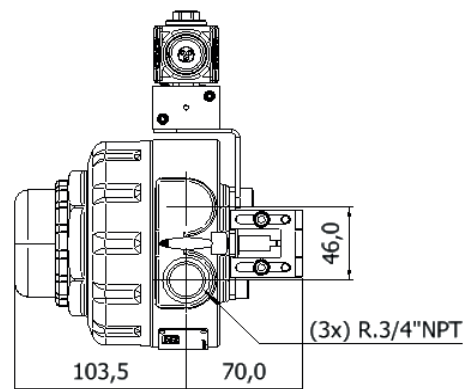
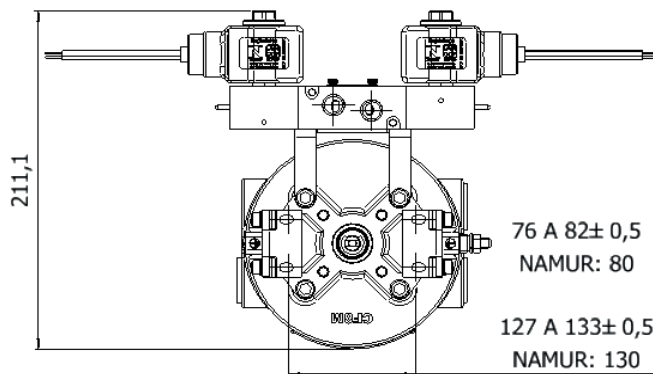
\* Other applications see compatibility



## Electrical Properties

Code 26400

Reed Switch - SPDT  
 Max. Switching Voltage: 500 VCC ou 240 VCA  
 Dielectric strength Min. between Contacts: 1000 VCC  
 Max. Switching Current: 3 A  
 Max Initial Contact Resistance.: 500 mOhms  
 Connectors: Borne Model 808 MD with 8 terminals



## General Specifications

Ways/ Position	Position Monitor
Seal	Nitrile rubber (NBR)
Cover	Stainless steel (AISI 316)
Application	Industrial Valves Monitoring



## Especificações Electricas

Code 20059	Screw thread M20X1,5
Code 20035	Screw thread 3/4"NPT
Code 19198	Screw thread 3/4"BSP
Code 20051	Screw thread 1/2"NPT
Code 20043	Screw thread 1/2"BSP

Mechanical Sensors SPDT  
125/250 Vca 10A  
Initial Contact Resistance: 30 mW máx.  
Insulation resistance: 100mW mín. a 500 VCC/  
Dielectric strength: 1000 VCA -1 Minute between open contacts  
1500 VCA-1 minute between terminals and Body  
Operating Temperature: -20°~85° C  
Borne Mod.808 MD with 8 terminals

Code 20060	Screw thread M20X1,5
Code 20036	Screw thread 3/4"NPT
Code 19854	Screw thread 3/4"BSP
Code 20052	Screw thread 1/2"NPT
Code 20044	Screw thread 1/2"BSP

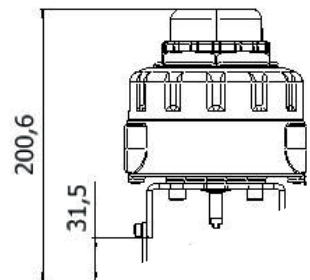
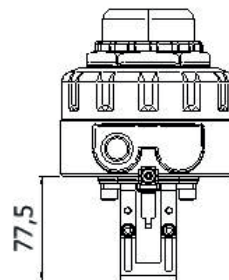
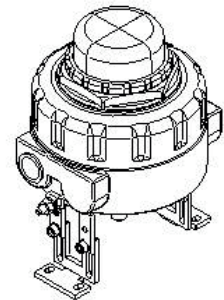
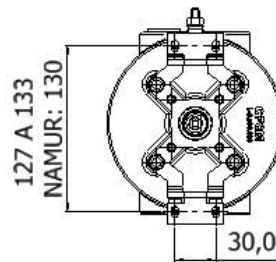
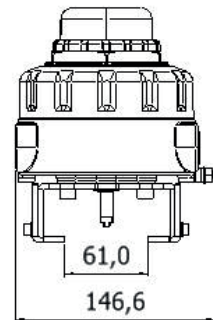
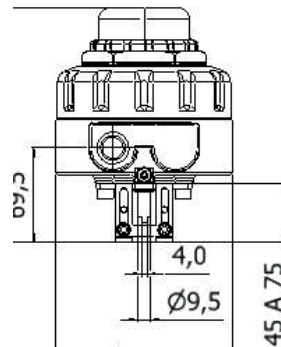
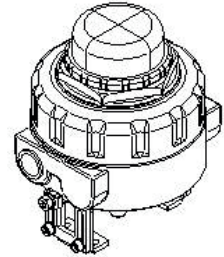
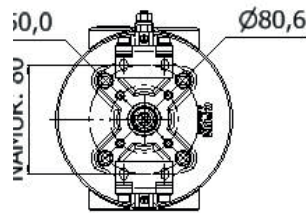
Reed Switch - SPDT  
Max. Switching Voltage: 500 VCC ou 240 VCA  
Dielectric strength Min. between Contacts: 1000 VCC  
Max. Switching Current: 3 A  
Max Initial Contact Resistance.: 500 mOhms  
Connectors: Borne Model 808 MD with 8 terminals

Code 20061	Screw thread M20X1,5
Code 20037	Screw thread 3/4"NPT
Code 19864	Screw thread 3/4"BSP
Code 20053	Screw thread 1/2"NPT
Code 20045	Screw thread 1/2"BSP

Reed Switch - SPDT  
Max. Switching Voltage: 250 V  
Dielectric strength Min. between Contacts: 500 VCC  
Max. Switching Current: 0,5 A  
Max Initial Contact Resistance.: 75 mOhms  
Operating Temperature: -20°~85° C  
Connectors: Borne Model 808 MD with 8 terminals

Code 20062	Screw thread M20X1,5
Code 20038	Screw thread 3/4"NPT
Code 19870	Screw thread 3/4"BSP
Code 20054	Screw thread 1/2"NPT
Code 20046	Screw thread 1/2"BSP

Network Communication Module AS-i 3.0  
AS-Interface Profile  
Address: 1A-31A, 1B-31B(62)  
Home Address: 1A  
INPUT (4/in)  
0 - Internal HALL sensor for closing (Upper Position)  
1- Internal HALL sensor for opening (Lower Position)  
2 and 3- 1mA, 24VDC for SPST dry contact on gold,  
low power consumption or inductive sensors  
CURRENT CONSUMPTION  
No active inputs and outputs: 11,0mA±3%  
OPERATING VOLTAGE  
29,5-31,6 VDC AS-INTERFACE  
RECOMMENDATION  
4 inputs, 2 network outputs, LEDs



## General Specifications

Ways / Position	Position Monitor
Connection	Screw thread Female 3/4" NPT (ANSI B2.1)
Seal	Nitrile rubber (NBR)
Cover	AISI 316 stainless steel microcast (CF-8M)
Body	AISI 316 stainless steel microcast (CF-8M)
Application	Industrial Valves Monitoring



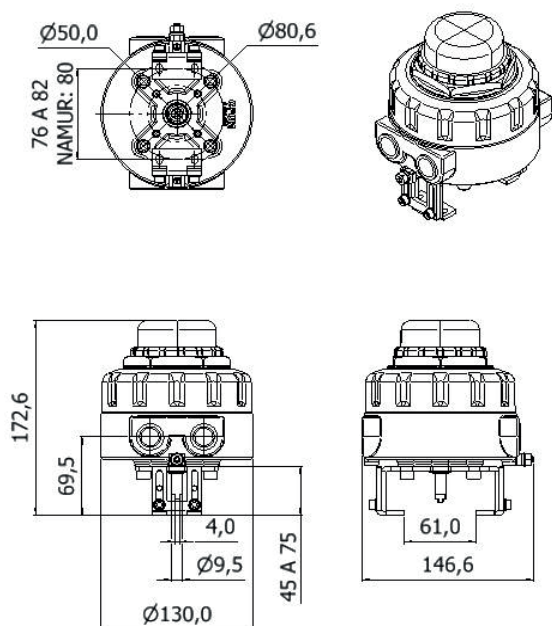
\* Other applications see compatibility

## Electrical Properties

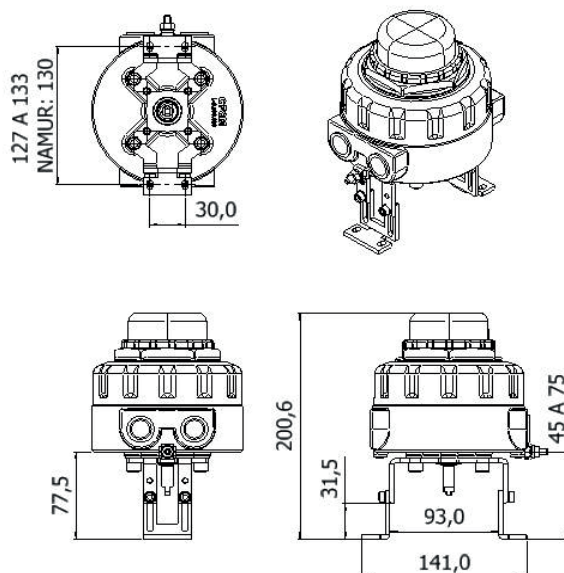
Code 28322

Reed Switch - SPDT  
 Max. Switching Voltage: 500 VCC ou 240 VCA  
 Dielectric strength Mín. between Contacts: 1000 VCC  
 Max. Switching Current: 3 A  
 Max Initial Contact Resistance: 500 mOhms  
 Connectors: Borne Model 808 MD with 8 terminals

POSIÇÃO A



POSIÇÃO B



REV. 0

## General Specifications

Ways / Position	Position Monitor
Connection	Screw thread Female 3/4" NPT (ANSI B2.1)
Seal	Nitrile rubber (NBR)
Cover	AISI 316 stainless steel microcast (CF-8M)
Body	AISI 316 stainless steel microcast (CF-8M)
Application	Industrial Valves Monitoring



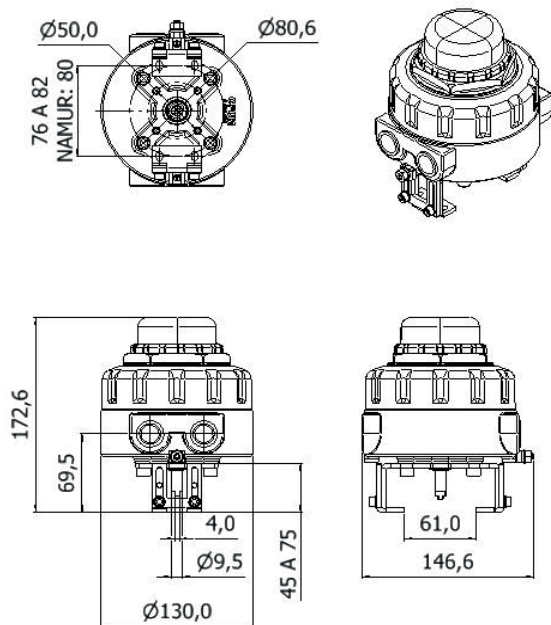
\* Other applications see compatibility

## Electrical Properties

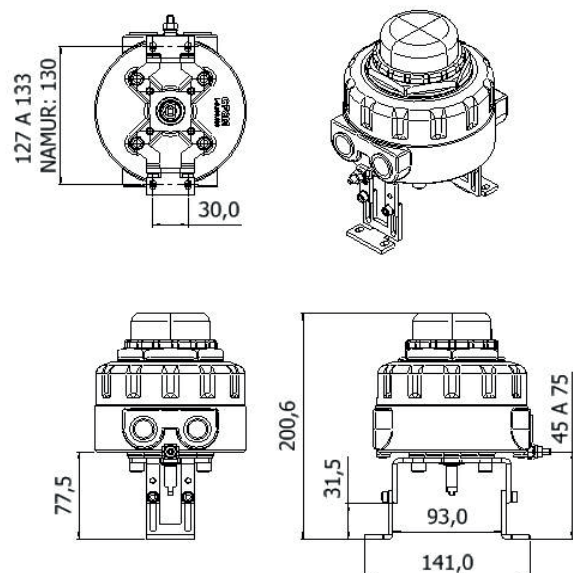
Code 28298

Reed Switch - SPDT  
 Max. Switching Voltage: 500 VCC ou 240 VCA  
 Dielectric strength Mín. between Contacts: 1000 VCC  
 Max. Switching Current: 3 A  
 Max Initial Contact Resistance: 500 mOhms  
 Connectors: Borne Model 808 MD with 8 terminals

POSIÇÃO A



POSIÇÃO B

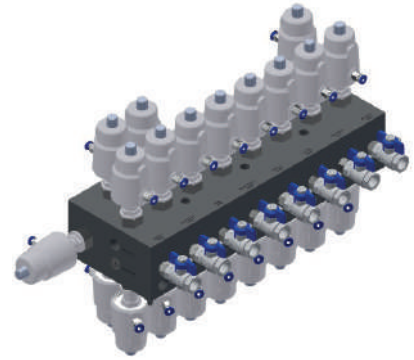


REV. 0

## General Specifications

Ways/ Position	2/2- Vias Normally Closed with pneumatically driven
Connection	Female 1/2" BSP - Input / Output
Orifice	Ø 12,5 mm - (Kv 2,84) Flow factor.
Seal	Polymer N 30000-7 B (Nitrile)
Pressure Range	Min.15 PSI / Max.150 PSI
Body	Bodyin CPVC (Dark Gray) and other components in Stainless steel
Application	Mineral oils, hydraulic fluids, LPG, NG, Air, and water.

\* Other applications, check compatibility



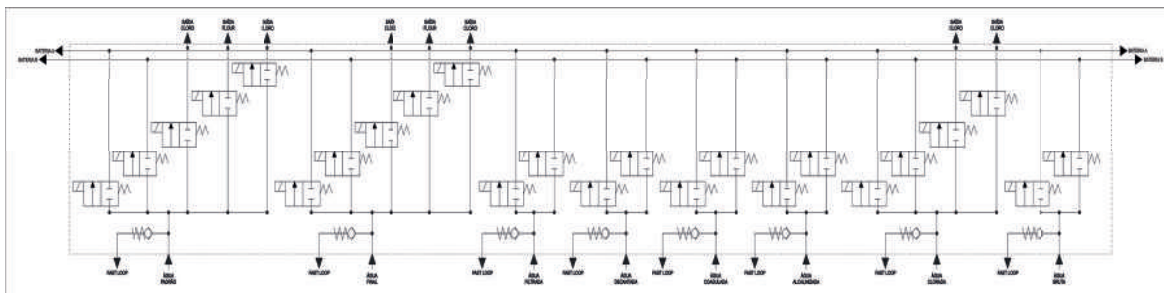
## Electrical Specifications

Products	Electrical Properties		
Code 1/2" BSP	Voltage	Wattage	Connection
26191	-	-	-

24 V 50/60 Hz

110/127 V 50/60 Hz

220/240 V 50/60 Hz





## MISSION

Meet the needs of customers creating value for shareholders, employees and society in a sustainable way.

## VISION

To be a global company providing innovative solutions aligned with the needs of the client.

## VALUES

- > Satisfied customer
- > Excellence in everything you do
- > Committed and accomplished people
- > team spirit
- > Integrity, ethics and transparency
- > Innovation and creativity
- > Respect for the human being
- > Overcoming
- > Total safety in the work environment
- > Sustainable Entrepreneurship
- > Value generation

## QUALITY POLICY

Thermoval Indústria de Válvulas Ltda, a company that develops, manufactures and sells solenoid valves,

Air operated valves, safety valves, valves, spindles and their components and injects plastic parts,

aims to:

- Meet the needs of your customers;
- Meet the applicable legal requirements and the requirements of the Quality Management System;
- Develop and manufacture superior and quality products;
- Be an innovative company;
- Increase market participation;
- Have operational excellence with inspired and high-performance people;
- Generate value for shareholders and other stakeholders with whom it relates



Condomínio

**THERMOVAL**

Soluções Industriais

Estrada Municipal CRV 09 Km01 S/N,  
Distrito Industrial Cravinhos, SP  
CEP: 14140-000

**Central de atendimento**

+55 16 3951-9100

+55 16 3951-9100

atendimento@thmv.com.br



**THERMOVAL**

Smart Valve Solutions

345 Bryan RD  
Dania Beach, FL, U.S.A  
33004  
+1 (954) 835-5523



**Strokmatic**  
Automation Technology

Av. Plácido Hugo de Oliveira, 555  
Galpão 10, Itinga, Joinville - SC  
CEP: 89233-580